



*Your dreams, our goals.*



## **ADVANCE**

LB 411 - LS 511 - LK 611

## **DIRECT**

LB 350 - LB 400 - LB 450

LS 500 - LS 501 - LS 505

LK 600



Commercial glass and dish washers



*Your dreams, our goals.*

# Your dreams are our goals.

It's not just about producing and selling; the aim is helping you make your dreams come true.

Whenever you think about your kitchen, or about how pleasant your work could be, or whenever you want to enjoy cooking, that's when MBM can help you. After forty years of activity, we are still curious to discover if everything that has been done can be done better, still committed to offering new things, and aware of the fact that the world we will leave our children will reflect our actions. Our products are not just kitchens, ovens, dishwashers, refrigerators, but true solutions to real problems that you face every day. Our technology is not a goal in itself, but it is dedicated to allow you to perform every note of the symphony of cooking in the easiest and most efficient way.

Your dreams are ours; your dreams are our goals.

## Washing specialists

MBM is part of Eurotec Group, one of the world's major producers of industrial dishwashers. Our two specialised plants have until now manufactured more than eight hundred thousand machines: An experience without equal! Great investments are dedicated to the updating and the development of new products. Our engineers and technicians cooperate with Universities and international research organizations to develop increasingly efficient and environmental-friendly technologies. Our factory is among the most modern in Europe and it makes use of state of the art production systems, ensuring quick and on-time deliveries and consistent quality. The constant and enthusiast involvement of the entire personnel in the continuous improvement process allows us to achieve excellent results, guaranteed by the ISO 9000 certification. All of MBM's dishwashers, from the little undercounter washer to the enormous tunnel washers are produced internally, a condition that very few brands may boast of and one that makes MBM a true specialist in ware washing.



# Experience and Competence

MBM dishwashers are distributed and serviced exclusively by our network of specialised dealers, whose training is carried out directly by the firm through seminars and constant retraining courses, while all of the technical documentation is available on the Internet. Spare parts are managed by Eurotec Service, the division of Eurotec specialised in after-sales support, which allows the assurance of immediate availability and fair pricing. MBM's experience and competence and its capillary network of dealers are the best guarantee of a long and profitable utilisation of our dishwashers.



## Technical data

ADVANCE		LB 411	LS 511	LK 611
Dimensions wxdxh	mm	440 x 530 x 690	580 x 600 x 830	710 x 740 x 1500
Rack dimensions	mm	385 x 385	500 x 500	500 x 500
Washing cycles duration	sec	150	60-120-180	60-120-180
Continuous washing			standard	standard
Door opening	mm	290	340	400
Tank capacity	lt	9	30	20
Water consumption	lt/rack	2,5	2,9	2,9
Maximum power required	W	3.500	5.500	10.300
Electric power supply	V/Hz/ph	230/50/1N	400/50/3N - 230/50/3	400/50/3N
Water supply temperature	°C	50	15 - 50	15 - 50
Drain pump		Kit	Kit	Kit
Detergent dispenser		Kit	Kit	Kit
Rinse aid dispenser		standard	standard	standard
Thermostop		activatable	activatable	activatable
Smart interface		standard	standard	standard

DIRECT		LB 350	LB 400	LB 450	LS 500	LS 501	LS 505	LK 600
Dimensions wxdxh	mm	440 x 480 x 650	440 x 530 x 690	525 x 560 x 710	580 x 630 x 830	580 x 630 x 830	600 x 670 x 1270	710 x 740 x 1500
Rack dimensions	mm	350 x 350	385 x 385	450 x 450	500 x 500	500 x 500	500 x 500	500 x 500
Washing cycles duration	sec	150	150	80 - 150	80 - 150	80 - 150	80 - 150	80 - 150
Door/hood opening	mm	260	290	260	340	340	400	400
Tank capacity	lt	8	9	24	30	30	33	17
Water consumption	lt/rack	2,5	2,5	2,9	2,9	2,9	2,9	2,9
Maximum power required	W	3.500	3.500	2.900	3.600	5.500	5.500	8.200
Electric power supply	V/Hz/ph	230/50/1N	230/50/1N	230/50/1N	230/50/1N	400/50/3N 230/50/3	400/50/3N 230/50/3	400/50/3N 230/50/3
Water supply temperature	°C	50	50	50	50	15 - 50	15 - 50	15 - 50
Drain pump		Kit	Kit	Kit	Kit	Kit	Kit	Kit
Detergent dispenser		Kit	Kit	Kit	Kit	Kit	Kit	Kit
Rinse aid dispenser		standard	standard	standard	standard	standard	standard	standard
Thermostop		activatable	activatable	activatable	activatable	activatable	activatable	activatable

# All Your Dreams

## Earn more - Saving

It's easy if you reduce operating costs. Our new dishwashers allow you to save up to € 400 a year\*, saving on water, electricity and detergent. These savings are the result of an advanced technology, often covered by patent.

For example the new coaxial washing arm allows to no waste water so the consume is only three litres per basket.

## Work Better - Easy to use

It's easy if you have a truly intuitive user interface. In just a few minutes even inexperienced persons will be able to use the dishwasher correctly and the safety systems reduce the risk of damage in the event of faulty usage as well.

The dishwashers are equipped with an integral tank filter (optional on the 500 and the 510) that traps the larger food waste. The washing and rinse arms are easily disassembled to facilitate daily clean-up operations.



\* Compared with an LF 55 (consumption of 3.2 lt/basket, tank capacity of 33 lt) considering 80 washes per day on two shifts for 320 days/year, 15° C water feed temperature. Factor costs as of January 09.





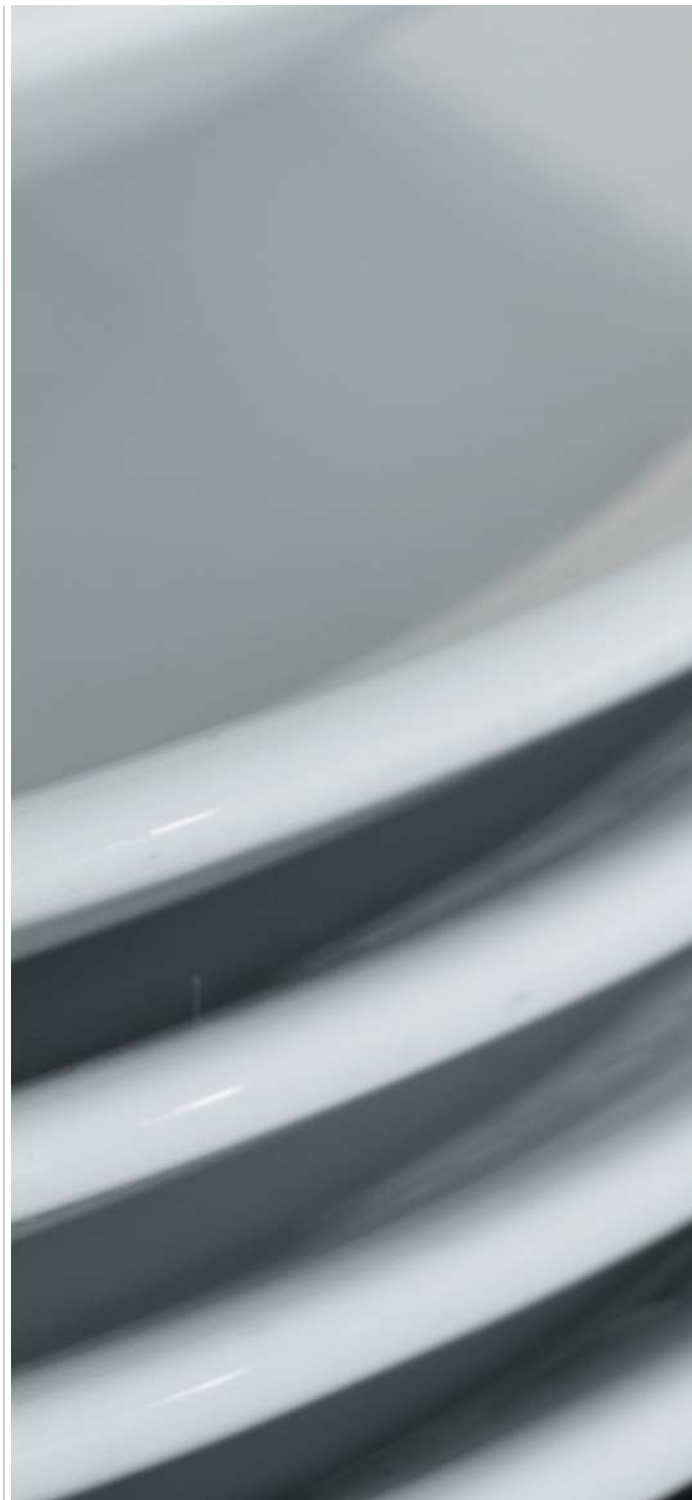
# All our technology

## Sanitise - Hygiene

Two washing cycles, among which the new 90 seconds quick plate and glass cycle allow our dishwashers to adjust their working parameters to the type and the humidity of the dirt to be treated. The internal boilers bring water to the sanitisation temperature while the electronic timer, thanks to its Thermostop function, delays the start of the rinse cycle until the water has reached the correct temperature.

## Choose - Range

Strong of its extraordinary experience, MBM offers a complete and versatile range of products, able to adjust to your needs. In this way the washing of ware in your establishment will reflect your workflows, occupying the only necessary space and not one more centimetre. Moreover you will reduce accidental damage to glasses and dishes by choosing the most suitable baskets among those offered by MBM.



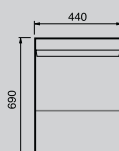
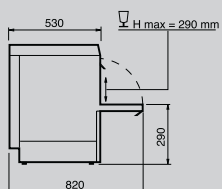


# ADWA

## Glass-washer ADVANCE LB 411

**Wide door opening to wash even the tallest flutes!**

The 29 cm door opening allows you to wash even the tallest flutes. The soft touch electronic interface displays the washing and rinsing temperatures, the number of cycles carried out and the self diagnostic system messages. Thanks to the Energy Saving function you will be able to reduce energy consumption during intermittent work periods, while with the Quick Start function you will fairly reduce the time between the switching-on and the first wash.



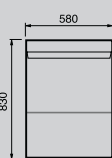
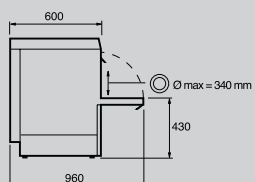


# NICE

## Dishwasher ADVANCE LS 511

**Washing versatility, thanks to the wide door opening.**

With a 34 cm door opening you will be able to wash even the largest Pizza dish! The soft touch electronic interface displays the washing and rinsing temperatures, the number of cycles carried out and the self diagnostic system messages. Thanks to the Energy Saving function you will be able to reduce energy consumption during intermittent work periods, while with the Quick Start function you will fairly reduce the time between the switching-on and the first wash. At the end of the shift, the double integral tank filter will make the cleaning operations easier and faster.

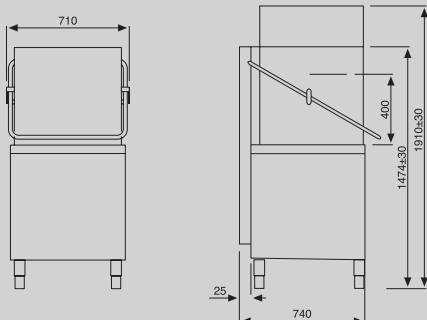


# Hood Dishwasher

## ADVANCE LK 611

**High performance hood dishwasher that is particularly ergonomic.**

Be it in line or in a corner, wherever you install it, the special hood-lift system reduces the operator's effort by 40%! The 40 cm high hood opening allows you to wash even trays! Thanks to the Energy Saving function you will be able to reduce energy consumption during intermittent work periods, while with the Quick Start function you will fairly reduce the time between the switching-on and the first wash. At the end of the shift, the double integral tank filter will make the cleaning operations easier and faster.



# Direct

## Glass-washer

**DIRECT LB 350 LB 400 LB 450**

**Specialized in the washing of glasses and cups.**



Versatile and compact products specialized in the washing of glasses and cups. The LB 400 and LB 450 are equipped with upper washing arms which makes them suitable to wash dishes too (dish baskets optional on mod. 400); the LB 450 also features two washing cycles. Round baskets adapters available on request.



## Dishwasher

**DIRECT LS 500 LS 501**

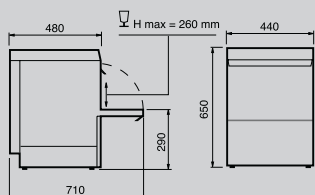
**Very versatile Dishwashers!**



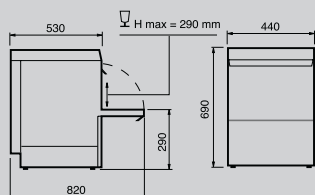
Even the largest Pizza dish or the big under-plates can be efficiently washed thanks to the 34 cm door opening. Two washing cycles, mono-phase versions (hot water feed) and three-phase versions (cold and hot water feed) are available. Ergonomic and sturdy door and handle; possibility of installing integral tank filters (optional).



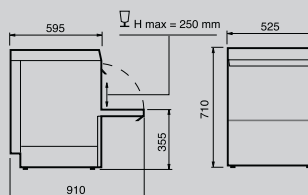
**LB 350**



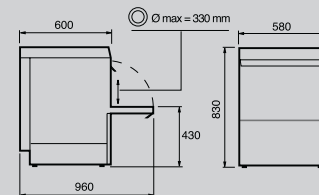
**LB 400**



**LB 450**



**LS 500 LS 501**



# Dishwasher

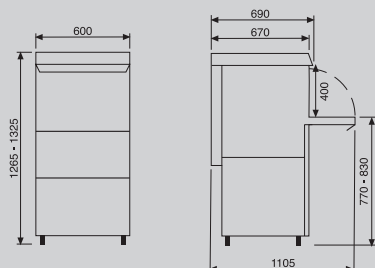
## DIRECT LS 505

**Freestanding dishwasher with an exceptional load capacity.**



The ideal dishwasher for exacting establishments with no space for a hood dishwashing system. The 40 cm door opening and the increased washing cavity allow effective cleaning of any type of dish and plate, and even self service trays.

Two washing cycles, mono-phase versions (hot water feed) and three-phase versions (cold and hot water feed) are available. Ergonomic and sturdy door and handle; possibility of installing integral tank filters (optional).

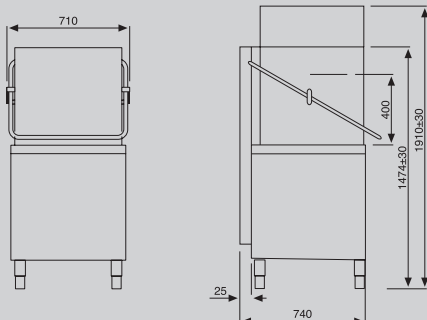


# Hood Dishwasher

## DIRECT LK 600

**Special hood-lift system with over 40% less effort for the operator.**

High performance and ergonomic hood dishwashers. Be it in line or in a corner, wherever you install it, the special hood-lift system reduces the operator's effort by 40%! The 40 cm high doorway allows you to wash even self-service trays! Standard tank filter, possibility of hot or cold water feed. Very intuitive electromechanical user interface.







**EUROTEC s.r.l. - divisione MBM** - Strada Brescello - Cadelbosco, 33/37/39 - 42041 BRESCELLO (RE) - ITALY  
Tel. +39 0522 686701 - Fax +39 0522 684517- [www.mbmitaly.it](http://www.mbmitaly.it)