



www.santos.fr



RoHS
COMPLIANT
2002/95/EC

Dough Mixer
10 liters # 18
(10 quart kneader)
(4kg of dough)



Internationally Patented Models



Dough Mixer #18

Powerful / Efficient / Durable

Ideal to knead 4 kg (9 lbs) of hard dough within approximately 15 minutes.

Operates like a baker's dough mixer.

Ideal for all kinds of breads and pizzas.

Heavy duty and silent asynchronous motor : 600 watts

Transparent cover to work in complete safety

Professional equipment : aluminium base

Helical fork : powerful and efficient mixing

Side gap : ingredients can be added safely during kneading

Bowl rotation is due to natural kneading of the dough

On/off switch with safety. Protects the motor in case of overload



Easy to disassemble for cleaning

Removable fork for cleaning (fast system)



Removable bowl



This appliance has no accessories

10 liter stainless steel bowl

Safety : machine stops when opening the cover



www.santos.fr



Technical specifications

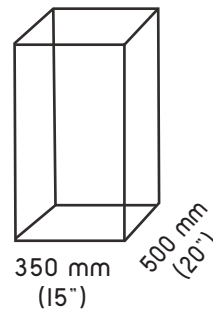


Single phase 100-120 V - 50/60 Hz - 650 W - CE
220-240 V - 50/60 Hz - 600 W - CE

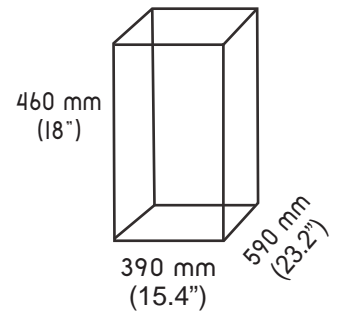
Speed :
1 500 rpm (50 Hz)
1 800 rpm (60 Hz)

Fork speed :
70 rpm (50 Hz)
84 rpm (60 Hz)

Appliance :



Shipping box :



Weight

Net 17 kg (37 lbs)
Shipping 20 kg (44 lbs)

Safety - Standards - Hygiene

In accordance with the following regulations:

- ◆ Machinery directive 2006/42/EC
- ◆ Electromagnetic compatibility 2004/108/EC
- ◆ "Low voltage" Directive 2006/95/EC
- ◆ Regulation 1935/2004/EC (contact with food)

- ◆ RoHS directive 2002/95/EC
- ◆ Harmonized European standards
NF EN ISO 12100-1 and 2: 2004
NF EN 60204-1: 2006
- ◆ CE (European standards)

Thermal safety

Motor protected by internal thermal detector

Acoustic safety

Very silent and powerful universal motor

Hygiene

All removable parts can be put in a dishwasher or easily cleaned with hot soapy water

PRODUCT: 2-YEAR WARRANTY - MOTOR: 5-YEAR WARRANTY

10 Liters Dough Mixer # 18

