

SLUSH MACHINE



Item: 274224

You should read this user manual carefully before using the appliance.

Bevor Sie das Gerät in Betrieb nehmen, sollten Sie diese Gebrauchsanweisung aufmerksam lesen.

Alvorens de apparatuur in gebruik te nemen dient u deze gebruiksaanwijzing aandachtig te lezen.

Przed uruchomieniem urządzenia należy koniecznie dokładnie przeczytać niniejszą instrukcję obsługi.

Lisez attentivement ce mode d'emploi avant d'utiliser l'appareil .

Prima di utilizzare l'apparecchio in funzione leggere attentamente le istruzioni per l'uso.

Citiți cu atenție prezentul manual de utilizare înainte de folosirea aparatului.

Внимательно прочитайте руководство пользователя перед использованием прибора.

Πρέπει να διαβάσετε αυτές τις οδηγίες χρήσης προσεκτικά πριν χρησιμοποιήσετε τη συσκευή.



Keep these instructions with the appliance.
Diese Gebrauchsanweisung bitte beim Gerät aufbewahren.
Bewaar deze handleiding bij het apparaat.
Zachowaj instrukcję urządzenia
Gardez ces instructions avec cet appareil.
Conservate le istruzioni insieme all'apparecchio.
Păstrați manualul de utilizare alături de aparat.
Хранить руководство вместе с устройством.
Φυλάξτε αυτές τις οδηγίες μαζί με τη συσκευή.



For indoor use only.
Nur zur Verwendung im Innenbereich.
Alleen voor gebruik binnenshuis.
Do użytku wewnątrz pomieszczeń.
Pour l'usage à l'intérieur seulement.
Destinato solo all'uso domestico.
Doar pentru uz la interior.
Использовать только в помещениях.
Για χρήση μόνο σε εσωτερικό χώρο.



Dear Customer,

Thank you for purchasing this Arctic appliance. Before using the appliance for the first time, please read this manual carefully, paying particular attention to the safety regulations outlined below.



Safety regulations

- This appliance is intended for commercial use only and must not be used for household use.
- The appliance must only be used for the purpose for which it was intended and designed. The manufacturer is not liable for any damage caused by incorrect operation and improper use.
- Keep the appliance and electrical plug away from water and any other liquids. In the event that the appliance should fall into water, immediately remove plug from the socket and do not use until the appliance has been checked by a certified technician. Failure to follow these instructions could cause a risk to lives.
- Never attempt to open the casing of the appliance yourself.
- Do not insert any objects in the casing of the appliance.
- Do not touch the plug with wet or damp hands.
- **Danger of electric shock!** Do not attempt to repair the appliance yourself. In case of malfunctions, repairs are to be conducted by qualified personnel only.
- **Never use a damaged appliance!** Disconnect the appliance from the electrical outlet and contact the retailer if it is damaged.
- **Warning!** Do not immerse the electrical parts of the appliance in water or other liquids. Never hold the appliance under running water.
- Regularly check the power plug and cord for any damage. If the power plug or power cord is damaged, it must be replaced by a service agent or similarly qualified persons in order to avoid danger or injury.
- Make sure the cord does not come in contact with sharp or hot objects and keep it away from open fire. To pull the plug out of the socket, always pull on the plug and not on the cord.
- Ensure that the cord (or extension cord) is positioned so that it will not cause a trip hazard.
- Always keep an eye on the appliance when in use.
- **Warning!** As long as the plug is in the socket the appliance is connected to the power source.
- Turn off the appliance before pulling the plug out of the socket.
- Never carry the appliance by the cord.
- Do not use any extra devices that are not supplied along with the appliance.
- Only connect the appliance to an electrical outlet with the voltage and frequency mentioned on the appliance label.
- Connect the power plug to an easily accessible electrical outlet so that in case of emergency the appliance can be unplugged immediately. To completely switch off the appliance pull the power plug out of the electrical outlet.
- Always turn the appliance off before disconnecting the plug.

EN

- Never use accessories other than those recommended by the manufacturer. Failure to do so could pose a safety risk to the user and could damage the appliance. Only use original parts and accessories.
- This appliance is not intended for use by persons (including children) with reduced physical, sensory or mental capabilities, or lack of experience and knowledge.
- This appliance must not be used by children under any circumstances.
- Keep the appliance and its cord out of reach of children.
- Always disconnect the appliance from the mains if it is left unattended or is not in use, and before assembly, disassembly or cleaning.
- Never leave the appliance unattended during use.

Special safety regulations

- This machine must be operated and maintained by specialized trained personnel in restaurant kitchen or bar staff.
- **Caution! Risk of fire!** The refrigerant used is R404a. The use of any other refrigerant may expose users and operators to unexpected safety & fire hazards.
-  **WARNING:** Switch off the machine before opening machine enclosure/bowl lid cover and get inside due to drawing-in movement hazard.
-  **WARNING:** Refrigerant liquid sprayed on to the skin may cause serious damage to tissue. Keep eyes and skin protected. If refrigerant burns should occur, flush immediately with cold water. If burns are severe, apply ice packs and contact medical treatment immediately.
- **WARNING:** Keep all ventilation openings in the appliance enclosure clear of obstruction. Provide sufficient ventilation in the surrounding structure when building-in. Never block the air flow suction and air outlet to prevent overheat.
- Keep the appliance away from any hot surfaces and open flames. Protect the appliance against heat, dust, direct sunlight, moisture, dripping and splashing water.
- Do not use hard utensils to hit the glass surface. Do not use water jet, flush directly with water or steam cleaner as the parts will get wet and electric shock might be resulted.
- Do not place articles on top of the appliance. Do not place objects with open sources of fire (e.g. candles) on top or beside the appliance. Do not place objects filled with water (e.g. vases) on or near the appliance.
- Never cover the appliance during use. This may cause a fire hazard.
- Do not make any additional openings on the appliance. Do not install any gadgets in the appliance.
- Do not attempt to climb up to the top of the appliance.

Installation of the machine

- All of the operations & installations should be carried out exclusively by specialized trained personnel, who must organize all the operational and installation sequences with the aid of suitable tools, in strict compliance with the applicable regulations.
- This machine should be installed indoors and in a well-ventilation environment placing on a level, horizontal, dry, firm and solid surface.
- This machine is of the attended use and must be installed in place where it can be monitored by trained personnel during operation.
- This machine may only be operated in places with an ambient temperature ranging between 20°C and 32°C.
- When installing, leave at least 25 cm clearance to the rear and to the left and right for adequate ventilation. We strongly recommend to install the appliance in a place with good natural ventilation to increase ventilation properties.
- Adequate clearance must be left around the machine to enable the trained personnel to work without any constraints/difficulties. And also, it allows trained personnel to leave the location immediately in case of urgent need.
- This machine is not suitable to place in an area where a water jet could be used.
- **WARNING:** The electric power outlet must be situated in a place easily within reach of the user. So that no effort is required to disconnect the machine from the electrical power system when necessary.
- Use the supplied Lubricant to lubricate all of the parts indicated in this manual after washing and sanitization operations.
- If the power cord is damaged, you must have it replaced by the manufacturer/specialized technician.
- It is forbidden to use extension cords of any type or to replace the original plug or to use external adaptors.

Electrical components and other dangers

- No other appliances should be plugged into the same socket as with this appliance.
- Wait about 5 minutes before switch on the appliance again after the appliance has been switched off or unplugged from the electrical power supply.
- Do not immerse the machine in water. Washing can cause leakage and increase the risk of electric shock. No any parts/accessories can be under dishwasher.

Intended use

- This machine is intended for professional use and can be operated only by qualified personnel.
- This machine is designed only for dispensing cold beverages.
- Operating the machine for any other purpose shall be deemed a misuse of the machine. The user shall be solely liable for improper use of the machine.

Grounding installation

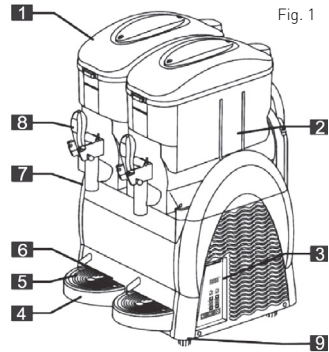
This appliance is classified as protection class I appliance and must be connected to a protective ground. Grounding reduces the risk of electric shock by providing an escape wire for the electric

current. This appliance is equipped with a cord having a grounding wire with a grounding plug. The plug must be plugged into an outlet that is properly installed and grounded.

Main components of the machine

The machine consists of below main components:


1. Bowl lid cover
2. Bowl
3. Control panel
4. Detachable Drip tray
5. Grid
6. Float (overflow indicator)
7. Dispenser taps
8. Handles
9. Feet







Spare parts

- (A). Auger seal hat cover x1
- (B). Bowl seal ring x1
- (C). Dispenser tap seal ring x10
- (D). Auger shaft white washer x2
- (E). Auger shaft black washer x2
- (F). Tube of lubricant x1


Control panel


 Power switch


  Mode selection button for desired bowl

 Bowl indicator light
 Temperature display

 Increase hardness + / Temperature


 Display of hardness / Temperature


 Decrease hardness - /Temperature

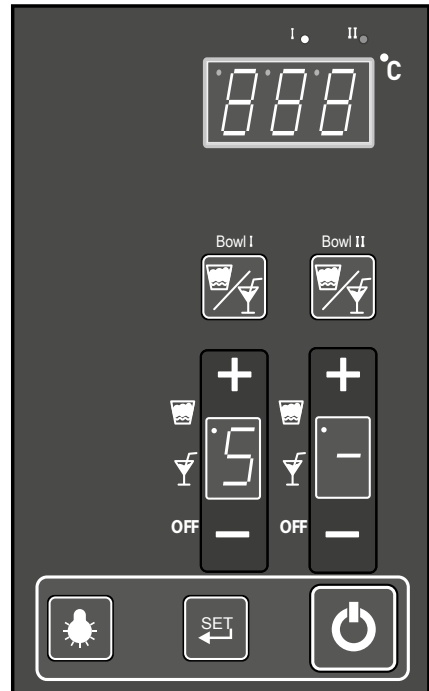
 Granita mode indicator

 Juice mode indicator

OFF OFF mode indicator

 Illumination light button

 Parameter setting button
 (See page 18 for how to set)



Preparation before using for the first time

- Remove all protective packaging and wrapping.
- Check for the completeness of the machine and its accessories (Lubricant, washer, hat cover) (In case of incomplete delivery and damages. Please contact supplier (See == > Warranty).
- This machine should be checked for its function properly by specialized trained personnel.

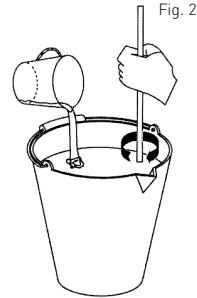
- Clean all components as described (See == > Cleaning and Maintenance).

Note: Due to manufacturing residues, the machine may emit a slight odor in the first few cycles. This is normal and does not indicate any defect or hazard. Make sure the machine is well ventilated.

Operation

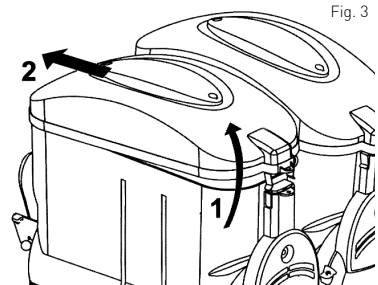
a) Preparation of the food ingredient:

- Dilute and mix the CONCENTRATE with WATER in a suitable container, following the manufacturer's recipes. THE MIXTURE OBTAINED MUST HAVE A MINIMUM SUGAR CONTENT OF 13°BRIX. A lower concentration may damage the augers and/or gearmotors.
- **WARNING:** The temperature of the food ingredient should never exceed 25°C.
- **WARNING:** Never use only with water.

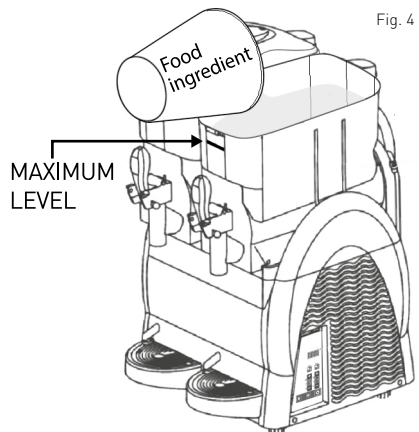


b) Putting food ingredient into the machine:

- **WARNING:** Food ingredient should be poured into the bowl (2) only when the machine is OFF and unplugged from the electrical power supply.
- To remove the bowl lid (1) of the bowl (2), follow these instructions (See Fig. 3):
 - 1) Lift the rear part of the lid;
 - 2) Extract the bowl lid (1) from the retainer placed at the front side.




- Pour the food ingredient into the bowl (2) with care and not beyond the "MAXIMUM LEVEL". (See Fig. 4), (Do not pour hot liquid to avoid hazard.)



- After pouring/refilling the food ingredient into the bowl (2), close the bowl lid (1) on top of the bowl (2). See Fig. 5.

WARNINGS:

1. Never switch on the machine if the bowl lid is missing. Before removing the bowl lid, switch off the machine and unplug it.

2.  There are some moving parts inside the bowl, which may cause injuries, switch off the machine and unplug it before carrying out any operation

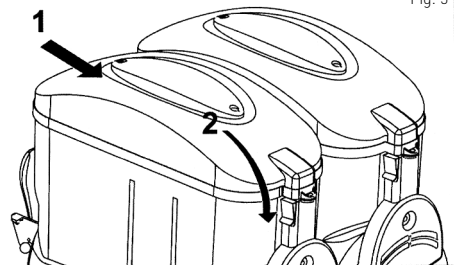
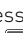





Fig. 5

c) Start operating the machine:

Each bowl is controlled independently.

- First, connect the power plug to a suitable electrical power outlet.
- Next, press  to switch ON the machine. Press and hold  for 3 seconds to switch to STANDBY mode of the machine when not use. See Fig. 6.
- Then, press the corresponding bowl button ( or ). And press consecutively to select the working mode. There are 3 working modes.

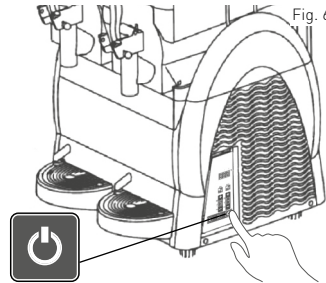







Fig. 6

EN

(Granita , juice  or OFF **OFF**). It will be displayed in sequence and the corresponding icon will be lighted.

l). To serve with Granita

- Press the corresponding bowl button ( or ).
- Next, press consecutively to select Granita mode,  will be lighted.

- Then, press "+" or "-" consecutively to adjust the hardness. The level is between from 1 (Soft with much water content) to 7 (Hard with less water content). See Fig 7.

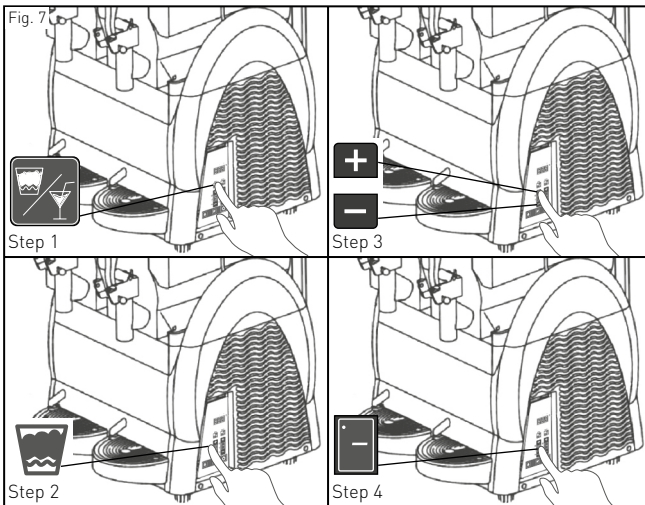


Fig. 7




Step 1

Step 3

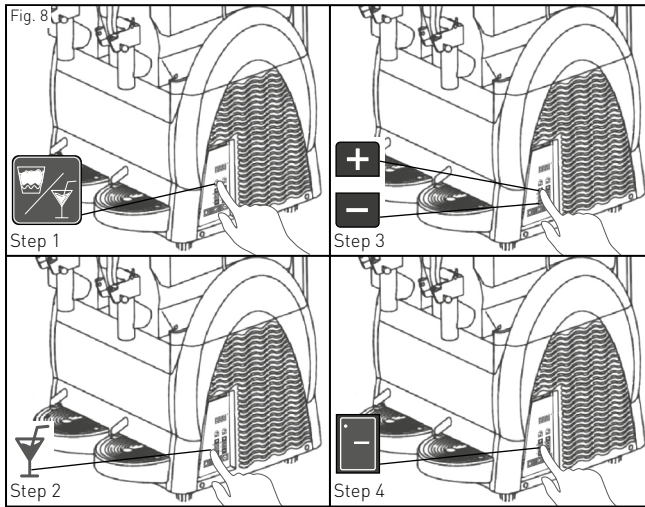
Step 2

Step 4



II). To serve with cold drinks

- Press the corresponding bowl button ( or ).
- Next, press consecutively to select juice mode,  will be lighted.

- Then, press “+” or “-” consecutively to select the desired the temperature (From 1°C ~ 7°C). See Fig 8.





III). To stop working

- Press the corresponding bowl button ( or ).
- Next, press consecutively until OFF mode,

OFF will be lighted. Then, it would stop stirring and refrigerating.

d) To simply clean the corresponding bowl:

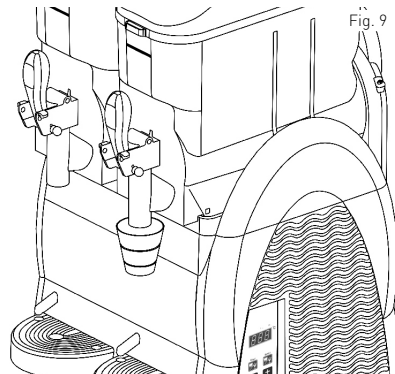
- Press and hold the corresponding bowl button ( or ) for about 6 seconds..
- The corresponding bowl valve will be fully open for cleaning about 3 minutes. During this mode, the control display will show “°C”.

Attention: Under this mode, the solenoid valve of the corresponding bowl will open and no refrigerant

gas flow out. But the auger still stirring for cleaning. Please fill with warm and clean water into the bowl not exceeding the “MAXIMUM LEVEL”. Do not put your hand inside. Switch OFF the machine and unplug it for thorough cleaning or sanitization to the machine.

e) Dispensing granita

- To dispense the food product, pull the tap lever.
- Note: Regularly check the temperature of the beverages in the bowl (2). Keep on the machine running when there is any food inside the bowl.
- If the machine is not continuously operated, it is necessary to dispose of the small amount from the tap area first before serving for the customer.



Cleaning and Maintenance

Attention:

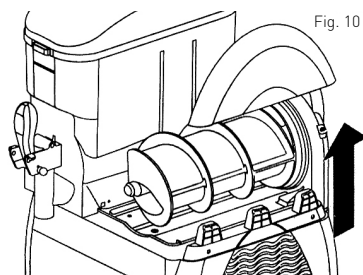
- Always switch OFF the power switch on the control panel (3) and unplug the machine from the electrical power outlet before cleaning & maintenance. This should be done by specialized trained personnel.

Cleaning:

- The exterior and interior surfaces can be cleaned with a damp cloth and a little detergent.
- Do not use water jet or steam cleaner for cleaning and do not immerse the machine under the water.
- No any components can be cleaned in the dishwasher.
- No any components can be dried in the microwave oven.
- Do not use abrasive and/or metal sponges to clean the machine.
- The bowl should be cleaned and sanitized at least once a day.
- Cleaning and sanitization are operations that require care and on a regular basis to guarantee the quality of the beverages dispensed and for the hygiene purpose.

- Before performing any cleaning and maintenance operation on the machine, wear the personal protective clothes such as gloves, protective glasses, etc.

- Warning: Do not plug in or switch ON the machine during the cleaning and maintenance operation.
- Lift the upper part of the protector and remove it for cleaning and maintenance operation. Once finished, fit the part in the machine again. See Fig. 10.

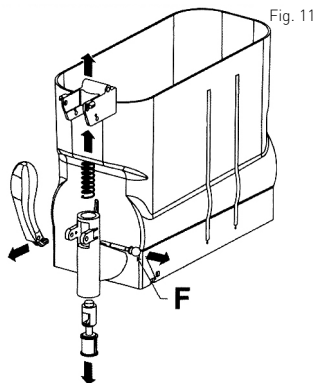


a) Emptying the bowls

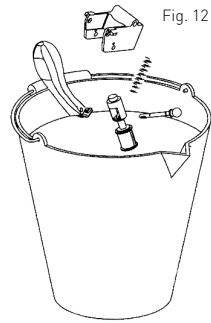
- Before a bowl may be cleaned, it must be emptied all the food ingredient inside the bowl first.

b) Disassembly the dispensing tap:

- Ensure all the beverage are emptied inside the bowl.
- Disassembly the tap before removing the bowl.
- Remove the pin (F) to release all the other parts.

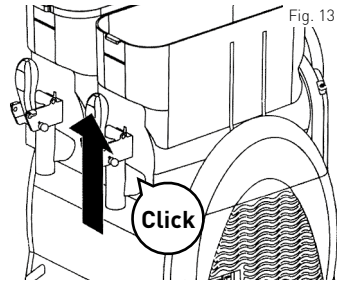


- Use clean and warm water to wash the parts.

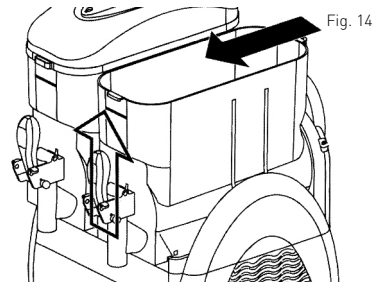


c) Remove the bowl and the lid:

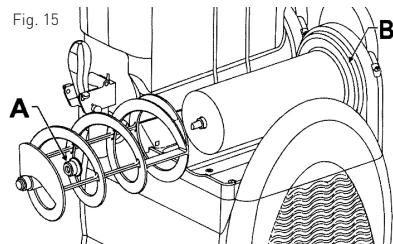
- To remove the bowl lid (1) of the bowl (2) first, follow these instructions & see Fig.13:
 - 1) Lift the rear part of the lid;
 - 2) Extract the bowl lid (1) from the retainer placed at the front side.
- Then, raise the front part of the bowl to release it.



- Next, remove the bowl from its position by pushing slightly at the rear side. The bowl is detached now.



- Finally, take out the auger and remove the seal hat cover (A) and bowl seal ring (B). Replace if worn or for every 12 months.



d) Washing and sanitizing the components:

Attention: All of the previously disassembled and removed components must be thoroughly washed and sanitized. We strongly recommend daily cleaning and sanitizing this machine in order to maintain high degree of food quality.

To carry out this procedure correctly, proceed as follows:

- Fill a container with detergent and hot water with a temperature of 50 – 60°C;
- Wash the disassembled components thoroughly with the detergent solution.
- Rinse with hot water.
- Dip the disassembly components into the solution and soaked for about 30 minutes.
- Then, wash the components again with clean water.
- Place different components on a dry, clean surface and dry all parts well.
- Assembly the machine as described in below part e).
- Before starting operating the machine again, carry out the rinsing cycle with clean water. (See below part f).)

Warning: Do not immerse the bowl lids with lighting bulb in any type of liquid. Before cleaning, please make sure the lighting bulb are removed from the machine as described as below (See fig. 27):

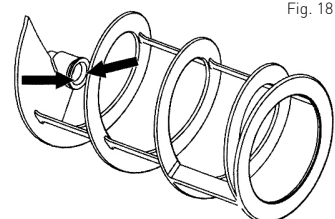
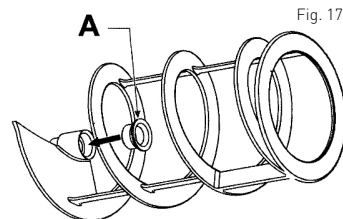
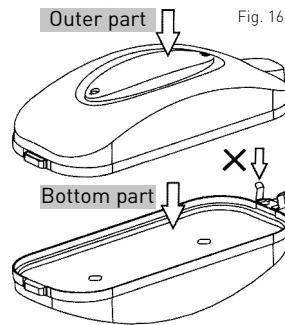
e) Reassembly the washed components

Attention: All of the washed components must be carefully re-assembled. Some components must be adequately lubricated by the supplied lubricants in order to ensure that they work efficiently.

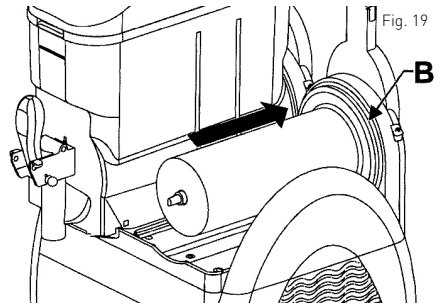
- Always check for the integrity of the seal (A), should it be worn, replace it with a new one (supplied).
- Replace the auger seal hat cover (A) for at least every 12 months.
- Insert the auger seal hat cover (A) as below (See Fig. 17).
- Lubricate the inside area of the auger seal hat cover (A) as shown in Fig. 18 with the lubricant (Supplied).

To clean the lighted bowl lid as below:

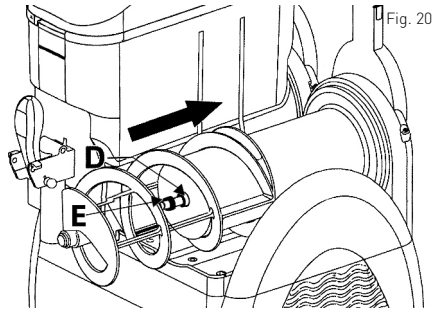
1. Using a clean, damp cloth to wipe clean the bottom part of the bowl lid & the outer surface.
2. Using a sponge dipped in the washing solution, sanitize the bottom part of the bowl lid, take care not to touch the hinge part (X) for about 10 minutes.
3. Rinse twice or more, with a clean sponge soaked in warm fresh water.
4. Dry it with a dry clean cloth.
5. Put back the bowl lid only after the bowl has been cleaned and sanitised.



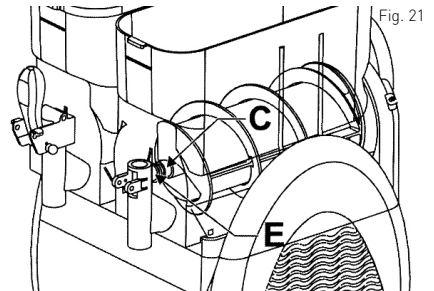
- Then, insert the bowl seal ring (B) and lubricate with the supplied lubricant around it as below (See Fig. 19).



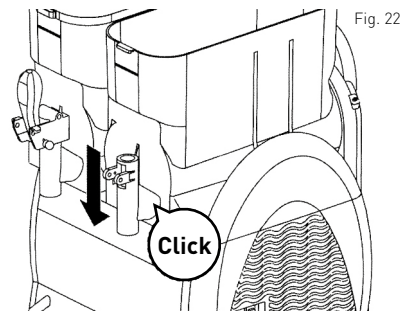
- Next, insert the auger with the white washer (D) and black washer (E) for the shaft. Rotate the auger to engage it.



- After that, set back the bowl in place, slightly raise head of the auger so that it align with the position (E) of the bowl (See Fig. 21).

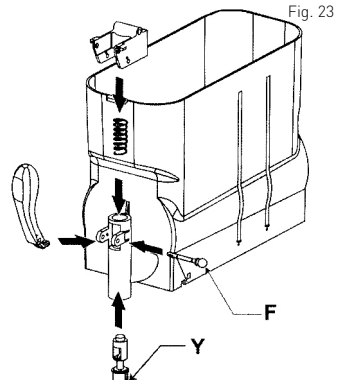


- Press the bowl slightly downward until it engages with the correct position (See Fig. 22).



Follow below instructions to re-assembly the tap (7):

- Using the supplied lubricant, lubricate the cap (Y) adequately and re-assembly the components.
- Fit the pin (F) while keep the tap lever steady (See Fig. 23).
- Replace the tap seal ring (C) if worn or leakage.



f) Rinsing the machine

Attention: Before starting up the machine after cleaning, you must carry out the rinsing cycle.

Procedures as below:

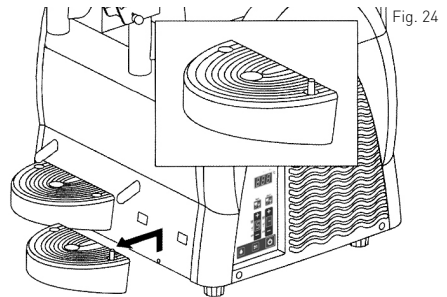
- Pour out the clean water into bowl;

- Let the machine to run for at least 5 minutes in the "agitation"
- Switch off the machine and empty the bowl by opening the tap (7).

g) Cleaning the drip tray

Attention: The drip tray should be emptied and cleaned every time the red float installed in the grid rises into view. It should be cleaned daily.

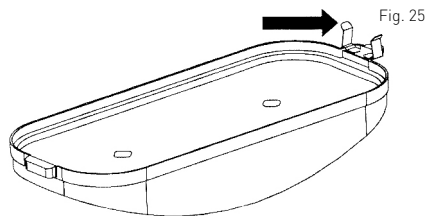
- Lift the tray with the grid on top of it and pull it out.
- Wash the tray and the grid separately with the lukewarm water.
- Dry both parts well and place back the grid on top of the tray.
- Position the drainage hose in the opening provided.
- Fit back the tray in place and press down to secure it with the machine.



h) Lighting lid

Attention: During the cleaning process, take care not to bend, break or damage the „contacts”. Any damage might cause a bad functioning of the lighting lid.

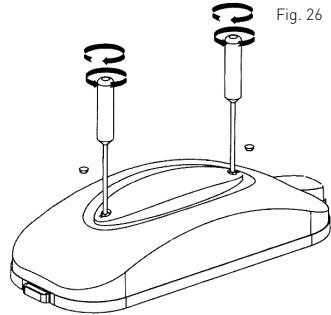
- Clean the lid contacts using a damp cloth and dry well. Always switch OFF the machine.
- Do not immersed in water for cleaning.



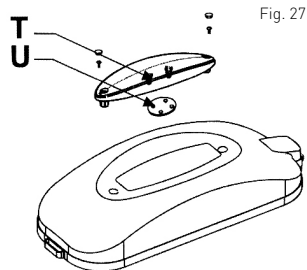
EN

i) Bulb replacement

- The bulb should be replaced only when the machine is switched OFF and the power cord is unplugged.
- Next, remove the protection caps. Then, using a proper screwdriver (not supplied) to loosen the screws in order to remove the cover.



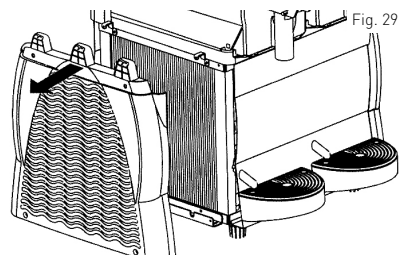
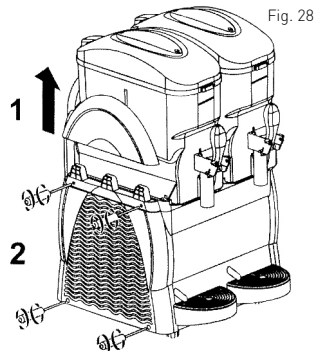
- Remove the bulb (U) from the socket (T). And replace it with a new bulb (not supplied).



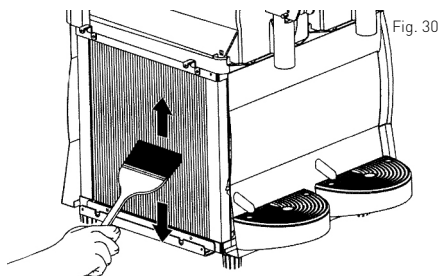
j) Cleaning the condenser

- Attention: The condenser can only be cleaned solely by a specialized technician, who must organize all of the operational sequences and with suitable tool/equipment.
- The condenser should be cleaned regularly (at least once per every 6 months) to keep good machine performance.
- To access the condenser, the safety guards need to be removed.
- Warning: Removing safety guards will expose some sharp surfaces of the machine.
- To remove the safety guard panel, proceed as below:

- 1) Lift and completely remove the upper part of the side guard;
- 2) Loosen the 4 screws securing the guard in place.
- 3) After removing the 4 screws, take off the safety guard. (See Fig. 29)



- 4) Use a dry brush (not supplied) to remove the dust that has built up over time with use. (See Fig. 30)
- 5) After having thoroughly cleaned the condenser, re-assembly the safety guard.



k) Periodic maintenance

This machine must be periodically checked (for at least every 6 months) by a specialized technician. This periodic check serves to ensure that all the components installed and the machine itself are at a high level of safety.

Any worn components must be replaced by an original spare part. It is forbidden to use this machine when even only one of its components is faulty or worn. User are prohibited to perform periodic maintenance.

Troubleshooting

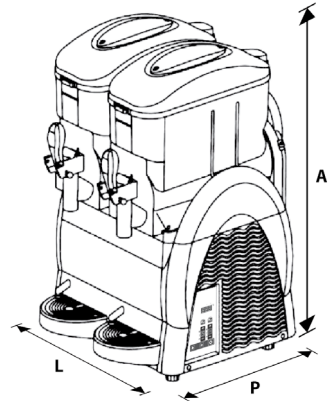
If this machine does not function properly, please check below table for the solution.

If you are still unable to solve the problem, contact the supplier/service provider.

Problem	Possible cause	Possible solution
The machine has no operation after plug into the electrical socket	The power cord and plug do not connect firmly and correctly	Check again the connection. And make sure all the connections are firmly connected.
Dispenser tap leakage	The tap is not fitted correctly	Check again the connection. And make sure all the connections are firmly connected.
	The tap piston is not lubricated	Lubricate the tap piston
	The tap piston is defective	Contact with the supplier
Food leakage from the back of the bowl	The bowl is not fitted correctly.	Check again the position and reassembly the bowl.
	The bowl seal ring is not lubricated.	Lubricate the bowl seal ring.
	The bowl seal ring is defective.	Replace with a new bowl seal ring.
The auger does not turn	The auger is blocked by the ice in the bowl.	Allow the ice to be melted first.
The machine does not make granita	The work mode is not under "Granita mode"	Select "Granita mode"
	The condenser is dirty.	Clean the condenser regularly.
	Ventilation is not sufficient	Allow sufficient ventilation
	The machine nearby to the heat source.	Put the machine away from the heat source
The auger is noisy during operation	The front seal (A) fitted incorrectly.	Check again and put the front seal (A) correctly.
	The front seal (A) is not lubricated	Lubricate the front seal (A).
	The consistency is too thick	Change the consistency.
Granita has black stains	The bowl is dirty.	Switch off & unplug the machine. Clean the bowl thoroughly.
	The auger seal ring is dirty.	Clean again the seal ring.
The dispenser tap doesn't release properly	Tap is blocked by the ice	Switch off the machine to let the ice melt.

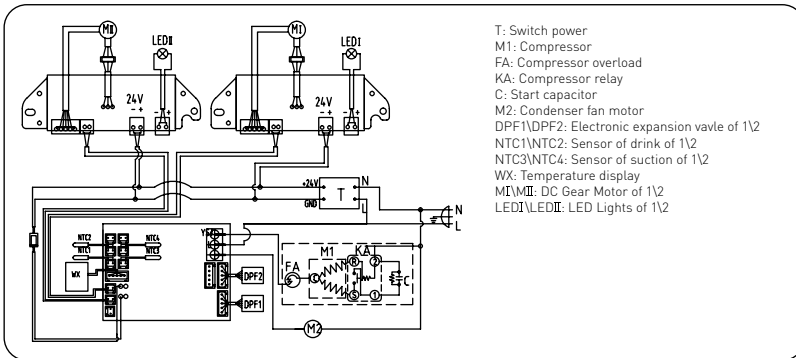
Technical Specification

Item no.	274224
Machine dimensions	P: 520mm x A: 810mm x L: 470mm
Weight (Bowl empty)	50kg
Max Electrical Input Power (W)	850W
Operating voltage (V) & frequency (Hz)	220-240V- 50Hz
Operating temperature	Min. 20°C to Max. 32°C
Number of bowl	2
Capacity of each bowl	12 liter + 12 liter
Noise level	< 70 dB
Protection class	Class I
Water protection class	IPX0
Refrigerant used and quantity	R404a / 450g
Net weight (with bowl empty)	62kg
Climatic Class	N



Remarks: Technical specification is subjected to change without notification.

Electric Wiring diagram (Item 274224)




Parameter Setting of the Machine


WARNING: It is highly not recommended to change these settings below as the machine is already ad

justed to the optimal settings by the factory default. Change the setting only if it is necessary.

How to set

Press and hold  for about 6 seconds. The temperature shown in the display will flash.

Press "+" or "-" to enter the value "15" (This is the code for entering into the setting mode).

Then, press  consecutively to select the parameter (display will show consecutively) that you want to change. The parameters are list below:

Display	Description	Setting range	Factory default
F1	Temperature of Bowl I under juice mode	1°C ~ 7°C	2°C
F2	Temperature of Bowl II under juice mode	1°C ~ 7°C	2°C
F3	Not applicable		
C1	Protection when the temperature is low	-3°C ~ 10°C	-5°C
C3	Liquid temperature during first stage	5°C ~ 10°C	10°C
C4	Liquid temperature during second stage	3°C ~ 8°C	5°C
A1	Sensor probe temperature for bowl I	-5°C ~ 5°C	0°C
A2	Sensor probe temperature for bowl II	-5°C ~ 5°C	0°C
A3	Not applicable		
E1	Temperature difference under juice mode	1°C ~ 5°C	2°C
E2	Time delay of compressor	2 ~ 8 min	2 min

EN

Warranty

Any defect affecting the functionality of the appliance which becomes apparent within one year after purchase will be repaired by free repair or replacement provided the appliance has been used and maintained in accordance with the instructions and has not been abused or misused in any way. Your statutory rights are not affected. If the appliance is claimed under warranty, state where and

when it was purchased and include proof of purchase (e.g. receipt).

In line with our policy of continuous product development we reserve the right to change the product, packaging and documentation specifications without notice.

Discarding & Environment

When decommissioning the appliance, the product must not be disposed of with other household waste. Instead, it is your responsibility to dispose to your waste equipment by handing it over to a designated collection point. Failure to follow this rule may be penalized in accordance with applicable regulations on waste disposal. The separate collection and recycling of your waste equipment at the time of disposal will help conserve natural re-

sources and ensure that it is recycled in a manner that protects human health and the environment. For more information about where you can drop off your waste for recycling, please contact your local waste collection company. The manufacturers and importers do not take responsibility for recycling, treatment and ecological disposal, either directly or through a public system.

Sehr geehrte Kundin, sehr geehrter Kunde,



wir danken Ihnen für den Kauf des Gerätes Arktic. Machen Sie sich bitte mit dieser Anleitung noch vor der Inbetriebnahme des Gerätes vertraut, um Schäden durch die unsachgemäße Bedienung zu vermeiden. Den Sicherheitsregeln ist besondere Aufmerksamkeit zu widmen.

Sicherheitsregeln

- Die unsachgemäße Bedienung des Geräts kann zur schweren Beschädigung des Geräts sowie zu Verletzungen führen.
- Das vorliegende Gerät ist ausschließlich für den gewerblichen Gebrauch bestimmt und darf nicht im Haushalt verwendet werden.
- Das Gerät ist ausschließlich zu dem Zweck zu benutzen, zu dem es hergestellt wurde. Der Hersteller haftet nicht für Schäden, die auf unsachgemäße Bedienung des Geräts zurückzuführen sind.
- Den Kontakt des Gerätes und des Steckers mit Wasser oder einer anderen Flüssigkeit vermeiden. Den Stecker unverzüglich aus dem Stecker ziehen und das Gerät von einem anerkannten Fachmann prüfen lassen, wenn das Gerät unbeabsichtigterweise ins Wasser fällt. Bei Nichteinhaltung dieser Sicherheitsvorschriften besteht Lebensgefahr.
- Nie eigenständig das Gehäuse des Gerätes zu öffnen versuchen.
- In das Gehäuse des Gerätes keine Gegenstände einführen.
- Den Stecker nicht mit nassen oder feuchten Händen berühren.
- **Gefahr eines Stromschlags!** Das Gerät darf nicht selbstständig repariert werden. Sämtliche Mängel und Unzulänglichkeiten sind ausschließlich durch qualifiziertes Personal zu beseitigen.
- **Niemals ein beschädigtes Gerät benutzen!** Das beschädigte Gerät vom Netz trennen und sich mit dem Verkäufer in Verbindung setzen.
- **Warnung:** Die Elektroteile des Gerätes dürfen weder in Wasser noch in andere Flüssigkeiten getaucht werden. Ebenso ist das Gerät nicht unter fließendes Wasser zu halten.
- Der Stecker und die Stromversorgungsleitung sind regelmäßig auf Beschädigungen zu prüfen. Der beschädigte Stecker oder Leitung sind an eine Servicestelle oder einer anderen qualifizierten Person zur Reparatur zu übergeben, um eventuellen Gefahren und Verletzungen des Körpers vorzubeugen.
- Man muss sich davon überzeugen, ob die Stromversorgungsleitung weder mit scharfkantigen noch mit heißen Gegenständen in Berührung kommt; halten Sie die Leitung weit entfernt von einer offenen Flamme. Um den Stecker aus der Netzsteckdose zu nehmen, muss man immer am Stecker und nicht an der Leitung ziehen.
- Die Stromversorgungsleitung (oder Verlängerungsleitung) ist vor dem zufälligen Herausziehen aus der Steckdose zu schützen. Die Stromversorgungsleitung muss so geführt werden, dass niemand zufällig darüber stolpern kann.
- Das Gerät muss während seiner Anwendung ständig kontrolliert werden.
- **Warnung!** Wenn der Stecker in der Netzsteckdose ist, muss man das Gerät als an die Stromversorgung angeschlossen betrachten.

- Bevor der Stecker aus der Netzsteckdose genommen wird, ist das Gerät auszuschalten.
- Das Gerät darf beim Tragen nicht an der Leitung gehalten werden.
- Benutzen Sie kein Zubehör, das nicht mit diesem Gerät mitgeliefert wurde.
- Das Gerät muss man ausschließlich an die Steckdose mit solch einer Spannung und Frequenz anschließen, wie auf dem Typenschild angegeben wird.
- Stecken Sie den Stecker in die Steckdose, die an einem leicht und bequem zugänglichen Ort angeordnet ist, und zwar so, dass das Gerät bei einer Störung sofort abgeschaltet werden kann. Um das Gerät vollständig auszuschalten, muss man es von der Stromquelle trennen. Zu diesem Zweck muss man den Stecker, der sich am Ende der vom Gerät getrennten Leitung befindetet, aus der Netzsteckdose ziehen.
- Vor dem Abtrennen des Steckers ist das Gerät auszuschalten!
- Benutzen Sie kein Zubehör, das nicht vom Hersteller empfohlen wird. Die Anwendung vom nicht empfohlenen Zubehör stellt eine Gefahr für den Nutzer dar und kann zur Beschädigung des Gerätes führen. Benutzen Sie ausschließlich Ersatzteile und Zubehör im Original.
- Dieses Gerät eignet sich nicht für den Gebrauch durch Personen (gilt auch für Kinder) mit geringerer Motorik, Sensorik oder geistiger Fähigkeit oder mangelhafter Erfahrung und Wissen.
- Auf keinen Fall darf das Bedienen des Gerätes durch Kinder zugelassen werden.
- Das Gerät mit Stromversorgungsleitung ist außerhalb der Reichweite von Kindern zu lagern.
- Ebenso muss dafür gesorgt werden, dass die Kinder das Gerät nicht zum Spielen benutzen.
- Das Gerät ist immer dann von der Stromversorgung zu trennen, wenn es ohne Aufsicht bleiben soll bzw. auch vor der Montage, Demontage und Reinigung.
- Während der Nutzung darf das Gerät nicht ohne Aufsicht gelassen werden.

Besondere Sicherheitsvorschriften

- Das Gerät sollte durch qualifiziertes Küchenpersonal oder Bedienungspersonal von Bars bzw. Imbissstuben bedient und gewartet werden.
- **Achtung! Feuerentstehungsgefahr!** Im Gerät wird das Kühlmedium R404a verwendet. Die Verwendung jedes anderen Kühlmediums kann die Benutzer und das Bedienungspersonal des Gerätes Gefahren aussetzen und Brand verursachen.
-  **WARNUNG:** Schalten Sie das Gerät aus, bevor Sie das Gehäuse / den Behälterdeckel abnehmen und irgendeine Maßnahme in dessen Innern vornehmen; es besteht sonst Einzugsgefahr durch bewegliche Bauteile.
-  **WARNUNG:** Die Kühlflüssigkeit kann im Kontakt mit der Haut schwere Verletzungen verursachen. Schützen Sie Augen und Haut vor direktem Kontakt mit der Kühlflüssigkeit. Kommt es zur Verätzung, waschen Sie die betroffene Stelle sofort mit Wasser ab. Bei schweren Verätzungen legen Sie Eis auf die betroffene Stelle und holen Sie sofort ärztlichen Rat ein.

- **WARNUNG:** Verdecken Sie nicht die Lüftungsöffnungen im Gehäuse des Gerätes. Wird das Gerät verbaut, stellen Sie sicher, dass es richtig belüftet wird. Versperren Sie niemals den Luftumlauf um das Gerät – sonst wird es überhitzt.
- Halten Sie das Gerät fern von heißen Oberflächen und offenem Feuer. Vergewissern Sie sich, dass das Gerät nicht hohen Temperaturen, Staub, Sonnenstrahlen, Feuchtigkeit sowie Wassertropfen und -spritzern ausgesetzt ist.
- Schlagen Sie nicht mit harten Werkzeugen gegen die Glasbauteile des Gerätes. Reinigen Sie das Gerät nicht mit direktem Wasserstrahl oder Dampfreiniger und spülen Sie es nicht mit Wasser – es besteht Gefahr des elektrischen Schlages.
- Legen Sie keine Gegenstände auf dem Gerät. Bringen Sie keine Quellen offenen Feuers (z.B. brennende Kerzen) in die Nähe des Gerätes. Stellen Sie keine mit Wasser gefüllten Gegenstände (z.B. Vasen) in die Nähe des Gerätes.
- Verdecken Sie nicht das im Betrieb befindliche Gerät. Sonst entsteht dadurch Brandgefahr.
- Stellen Sie keine zusätzlichen Bohrungen im Gerät her. Bauen Sie kein zusätzliches Zubehör am Gerät an.
- Versuchen Sie nicht, auf das Gerät zu steigen.

Montage des Gerätes

- Die Bedienung und Montage des Gerätes sind ausschließlich durch qualifiziertes Personal durchzuführen, das verpflichtet ist, die vorgenannten Tätigkeiten mit dazu bestimmten Werkzeugen und unter genauer Einhaltung der geltenden Vorschriften vorzunehmen.
 - Das Gerät ist in einem geschlossenen und gut belüfteten Raum zu montieren und auf ebener, flacher, trockener, stabiler und fester Fläche aufzustellen.
 - Das Gerät sollte an einem Ort montiert werden, an dem sein Betrieb durch qualifiziertes Personal überwacht werden kann.
 - Montieren Sie das Gerät an einem Ort, an dem die Umgebungstemperatur von 20°C bis 32 °C beträgt.
 - Bei der Montage lassen Sie hinter dem Gerät und an dessen Seiten mindestens 25 cm Raum frei, um richtige Belüftung sicherzustellen. Es empfiehlt sich, das Gerät an einem Ort mit guter natürlicher Belüftung zu montieren, damit es entsprechend belüftet wird.
 - Um dem geschulten Personal ungehinderte und ungestörte Arbeit am Gerät zu ermöglichen, ist ringsum entsprechend Platz zu schaffen. Über-
- dies ermöglicht der Raum ringsum das Gerät das rasche Verlassen der Räumlichkeit durch das Personal im Notfall.
- Das Gerät darf nicht an einem Ort aufgestellt werden, an dem die Gefahr des Begießens mit Wasserstrahl besteht.
 - **WARNUNG:** Die elektrische Steckdose muss an einer für den Benutzer leicht zugänglichen Stelle angebracht sein. Das gestattet dem Benutzer, bei Bedarf das Gerät problemlos von der Stromversorgungsquelle zu trennen.
 - Nach der Reinigung und Entkeimung des Gerätes schmieren Sie alle in dieser Anleitung dazu genannten Bauteile mit dem mit dem Gerät gelieferten Schmiermittel.
 - Wird das Stromversorgungskabel beschädigt, sollte es durch den Hersteller / einen qualifizierten Techniker ausgewechselt werden.
 - Verwenden Sie keine Verlängerungskabel, wechseln Sie den originalen Stecker des Gerätes nicht aus und benutzen Sie keine äußeren Adapter bzw. Abzweigstücke.

Elektrische Bauteile und andere Gefahren

- An die Stromversorgungsquelle des Gerätes darf kein anderes Gerät angeschlossen werden.
- Nach der Ausschaltung bzw. Trennung des Gerätes von der Stromversorgungsquelle warten Sie ca. 5 Minuten, bevor Sie es erneut in Betrieb nehmen.
- Tauchen Sie das Gerät nicht in Wasser. Bei dem Waschen des Gerätes kann Wasser in die elektrischen Bauteile eindringen und elektrischen Schlag herbeiführen. Kein Bau-/Zubehörteil des Gerätes ist zum Waschen in einer Spülmaschine geeignet.

Verwendungszweck des Gerätes

- Das Gerät ist für den professionellen Einsatz geeignet, deshalb darf es nur durch qualifiziertes Personal bedient werden.
- Diese Maschine ist nur für die Ausgabe von kalten Getränken bestimmt.
- Jede andere Verwendung des Gerätes gilt als nicht bestimmungsgemäß. Der Benutzer ist allein verantwortlich für die unsachgemäße Nutzung des Gerätes.

Montage der Erdung

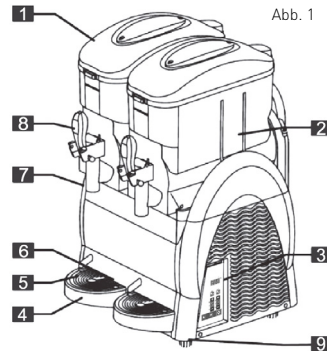
Der Dispenser ist ein Gerät der I. Schutzklasse und bedarf der Erdung. Die Erdung verringert das Risiko des elektrischen Schlages durch Anwendung einer Ableitung des elektrischen Stromes. Das

Gerät ist mit einer Erdungsleitung mit Erdungsstecker ausgestattet. Stecken Sie den Stecker nicht in die Steckdose, wenn das Gerät nicht entsprechend installiert und geerdet wurde.

Hauptbauteile des Gerätes

Hauptbauteile des Gerätes


1. Behälterdeckel
2. Behälter
3. Steuerpaneel
4. Ausbaubare Tropfschale
5. Tropfgitter
6. Anzeige des Auffüllungsgrades der Tropfschale
7. Hähne des Dispensers
8. Griffe
9. Standfüße




Ersatzteile


- (A). Verschlussdeckel der Schneckendichtung x 1
- (B). Dichtungsring des Behälters x 1
- (C). Dichtungsring des Dispenserhahns x 10
- (D). Weiße Unterlegscheibe der Schneckenwelle x 2
- (E). Schwarze Unterlegscheibe der Schneckenwelle x 2
- (F). Tube Schmiermittel x 1

Steuerpaneel


 Stromversorgungsschalter


 Drucktaste der Behälterwahl

 Kontrollleuchte des Behälters
Temperaturanzeige

 Drucktaste Steigerung Gefrierung + /
Temperatur

 Anzeige Gefrierung/ Temperatur


 Drucktaste Verringerung Gefrierung + /
Temperatur

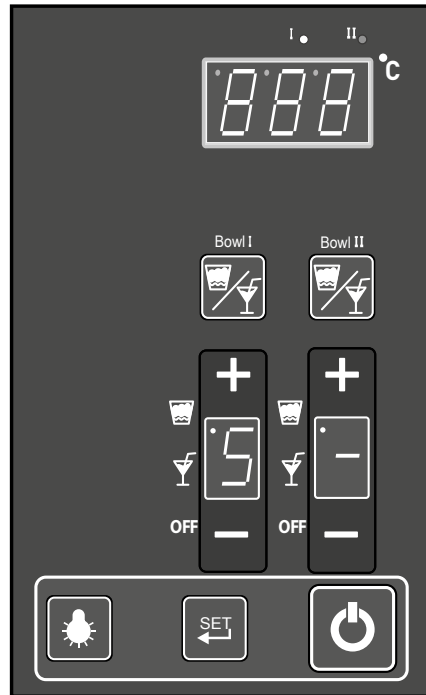
 Kontrollleuchte der Betriebsart „Granita“

 Kontrollleuchte der Betriebsart „Soft“

OFF Kontrollleuchte der Betriebsart
Ausgeschaltet (OFF)

 Drucktaste der Hintergrundbeleuchtung

 Drucktaste der Parametereinstellung (siehe
Seite 18 mit den Hinweisen zur Parameter-
einstellung)



DE

Vor dem ersten Einsatz

- Nehmen Sie ab und beseitigen Sie die Verpackung und die Absicherungen.
- Überprüfen Sie das Gerät und das Zubehör auf Vollständigkeit (Schmiermittel, Waschlappen, Mutter)
- Bei unvollständiger Lieferung oder Beschädigungen nehmen Sie Kontakt mit dem Lieferer auf (siehe: Garantie)
- Qualifiziertes Personal sollte nachprüfen, ob das Gerät einwandfrei funktioniert.

- Reinigen Sie gemäß der Anleitung alle Bauteile des Gerätes (siehe: Reinigung und Wartung).

Bemerkung: Aufgrund von Überbleibseln vom Produktionsvorgang kann das Gerät bei den ersten paar Inbetriebnahmen unangenehmen Geruch verbreiten. Es ist ein normaler Effekt, der von keiner Beschädigung des Gerätes bzw. Gefahr für den Benutzer zeugt. Prüfen Sie nach, ob das Gerät gut belüftet wird.

Betrieb

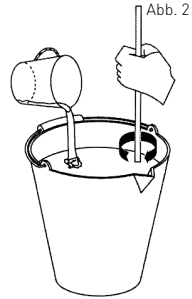
a) Gemischvorbereitung:

- Im entsprechenden Behälter lösen Sie das KONZENTRAT in WASSER und vermischen es gemäß den Empfehlungen des Herstellers.

DAS ERHALTENE GEMISCH MUSS MIND. 13° BRIX HABEN.

Ein Gemisch mit geringerem Zuckergehalt kann eine Beschädigung der Schnecke und/oder der Getriebemotoren herbeiführen.

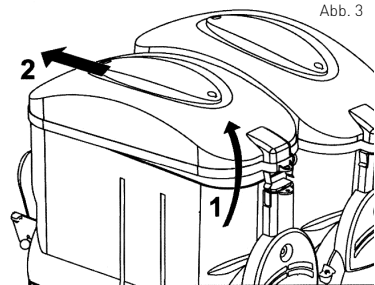
- **WARNUNG:** Die Temperatur des Gemisches darf 25 °C nicht überschreiten.
- **WARNUNG:** Benutzen Sie das Gerät niemals, wenn die Behälter ausschließlich mit Wasser gefüllt sind.



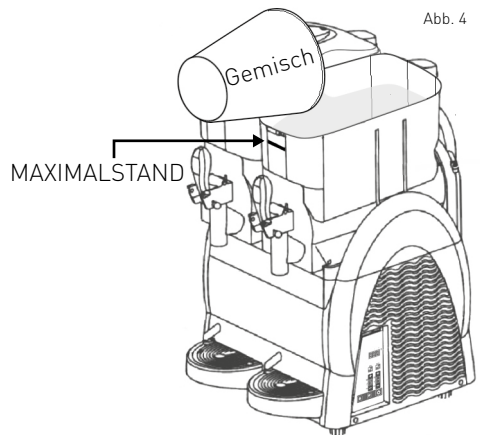
b) Eingießen des Gemisches in die Behälter des Gerätes:

- **WARNUNG:** Das Gemisch darf nur dann in den Behälter (2) eingegossen werden, wenn das Gerät AUSGESCHALTET und von der Stromversorgungsquelle getrennt ist.
- Um den Deckel (1) vom Behälter (2) abzunehmen, gehen Sie nach den Anweisungen vor (siehe: Abb. 3):

- 1) Heben Sie den hinteren Teil des Deckels an.
- 2) Nehmen Sie den Deckel (2) vom im vorderen Teil des Behälters befindlichen Haken ab. Gießen Sie das Gemisch vorsichtig in den Behälter (2) und beachten dabei, dass der




- Gießen Sie das Gemisch vorsichtig in den Behälter (2) und beachten dabei, dass der Flüssigkeitsstand im Behälter den „MAXIMALSTAND“ nicht überschreitet. (Siehe: Abb. 4). (Um Gefahren zu vermeiden, gießen Sie niemals heiße Flüssigkeiten in den Behälter.)



- Nach dem Eingießen/Ergänzen des Gemisches im Behälter (2) bringen Sie erneut den Deckel (1) auf dem Behälter (2) an. Siehe: Abb. 5.

WARNUNGEN:

1. Nehmen sie das Gerät niemals in Betrieb, wenn der Deckel sich nicht auf dem Behälter befindet. Vor der Deckelabnahme schalten Sie das Gerät aus und trennen Sie es von der Stromversorgungsquelle.

2.  Im Innern des Behälters befinden sich bewegliche Teile, die Verletzungen verursachen können – bevor Sie irgendwelche Tätigkeiten am Behälter vornehmen, schalten Sie das Gerät aus und trennen Sie es von der Stromversorgungsquelle.

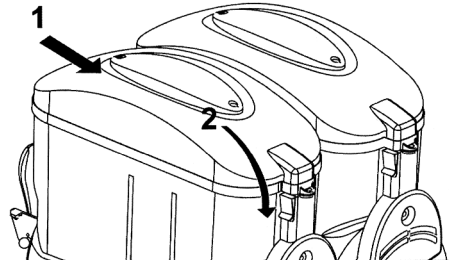






Abb. 5

c) Inbetriebnahme des Gerätes:

Jeder Behälter wird separat kontrolliert.

- Zunächst stecken Sie den Stecker in die entsprechende Steckdose.
- Anschließend drücken Sie  , um das Gerät einzuschalten. Drücken Sie  und halten sie gedrückt drei Sekunden lang, um in den STANDBY-Betrieb zu wechseln, wenn das Gerät momentan in Betrieb ist. Siehe: Abb. 6.
- Anschließend betätigen Sie die dem jeweiligen Behälter entsprechende Drucktaste ( or ). Betätigen Sie die Drucktaste erneut, um die Betriebsart zu wählen. Es gibt drei Betriebsarten des Gerätes.

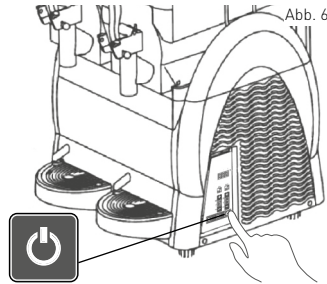







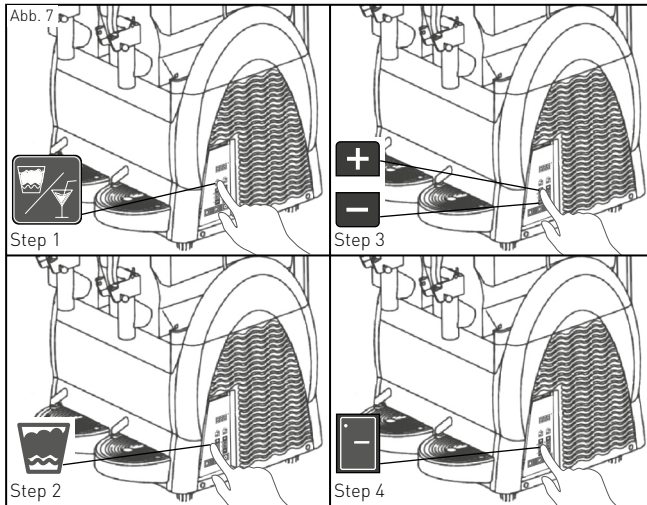
Abb. 6

[„Granita“  , „Saft“  oder AUSGESCHALTET **OFF**]. Es leuchten der Reihe nach die der jeweiligen Betriebsart entsprechenden Kontrollleuchten auf.

I). Betrieb in der Betriebsart „Granita“




- Betätigen Sie die dem jeweiligen Behälter entsprechende Drucktaste ( bzw. ).
- Anschließend betätigen Sie sie mehrmals, um die Betriebsart „Granita“,  wählen; die Kontrollleuchte leuchtet auf.

- Dann drücken Sie mehrmals „+“ oder „-“, um den Gefrierungsgrad einzustellen: Stufe 1 bedeutet ein leicht gefrorenes Dessert mit viel Wasser, die Stufe 7 – ein stark gefrorenes Dessert mit wenig Wasser. Siehe: Abb.7.

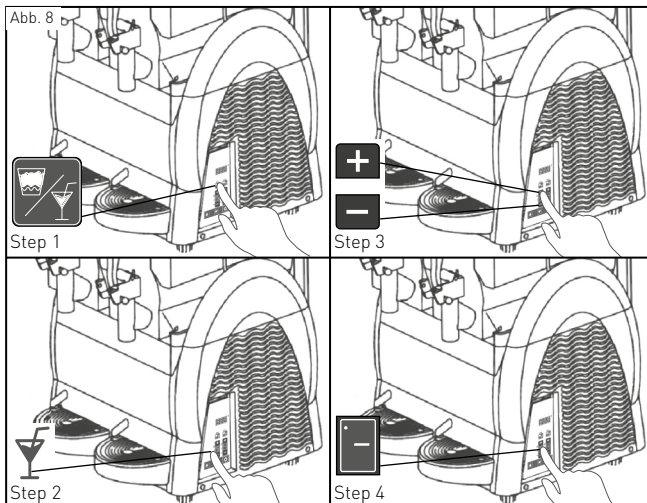


DE

II). Betrieb in der Betriebsart „Saft“

- Betätigen Sie die dem jeweiligen Behälter entsprechende Drucktaste ( bzw. ).
- Anschließend betätigen Sie sie mehrmals, um die Betriebsart „Saft“ zu wählen; die Kontrollleuchte  leuchtet auf.



- Dann drücken Sie mehrmals „+“ oder „-“, um die gewünschte Temperatur (von 1°C bis 7° C) einzustellen.



III). Anhalten des Betriebes des Gerätes

- Betätigen Sie die dem jeweiligen Behälter entsprechende Drucktaste ( bzw. ).

d) Um den jeweiligen Behälter zu reinigen:

- Betätigen Sie die dem jeweiligen Behälter entsprechende Drucktaste ( bzw. ) und halten sie 6 Sekunden lang gedrückt.
- Das Ventil des jeweiligen Behälters wird zur Reinigung für ca. 3 Minuten geöffnet. Bei diesem Modus erscheint auf dem Steuerpaneel die Anzeige „°C“.

Bemerkung: Bei diesem Modus bleibt das Magnetventil des jeweiligen Behälters offen; das Kühlgas

e) Dosierung von Granita

- Um das Produkt einzugießen, ziehen Sie den Hebel des Hahns.

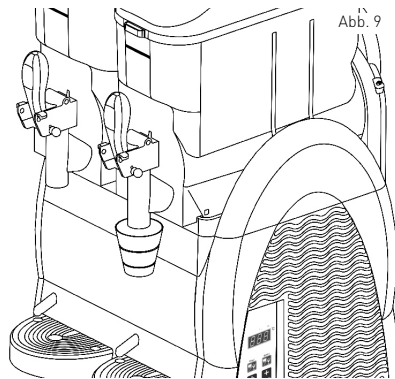
Bemerkung:

- Überprüfen Sie regelmäßig die Temperatur des Getränkes im Behälter (2). Befindet sich im Behälter ein Gemisch, schalten Sie das Gerät nicht aus.
- Ist eine Unterbrechung in der Nutzung des Gerätes erfolgt, wird vor der Zubereitung des Desserts für den Kunden die Beseitigung einer gewissen Menge des Produktes aus dem Hahn erforderlich.

- Anschließend betätigen Sie sie mehrmals, bis die Kontrollleuchte **OFF** aufleuchtet. Das Gerät stoppt das Mischen und Gefrieren.

tritt nicht nach außen hinaus. Die Schnecke wird sich zur Reinigung weiterhin drehen. Ergänzen Sie den Inhalt des Behälters mit reinem, warmem Wasser, ohne den bestimmten „MAXIMALSTAND“ zu überschreiten.

Legen Sie die Hände nicht in den Behälter. Um das Gerät genau zu reinigen bzw. zu entkeimen, schalten Sie es aus und trennen Sie es von der Stromversorgungsquelle.



Reinigung und Wartung

Bemerkung:

- Beachten Sie, vor der Reinigung und Wartung des Gerätes den Ausschalter auf dem Steuerpaneel (3) zu betätigen und das Gerät von der Stromversorgungsquelle zu trennen. Die Reinigung und Wartung des Gerätes sollte durch qualifiziertes Personal durchgeführt werden.

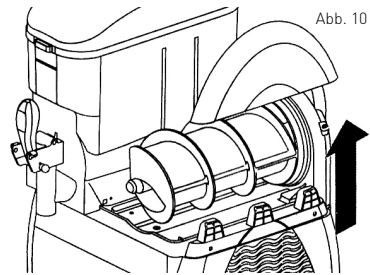
Reinigung:

- Die inneren und äußeren Flächen des Gerätes können mit feuchtem Lappen und geringer Menge Detergens gereinigt werden.
- Verwenden Sie zur Reinigung des Gerätes keinen direkten Wasserstrahl und keinen Dampfreiniger und tauchen Sie nicht das ganze Gerät in Wasser.
- Die Bauteile des Gerätes dürfen nicht in der Spülmaschine gereinigt werden.

- Vor der Reinigung und Wartung des Gerätes legen Sie Schutzkleidung an, z.B. Handschuhe, Schutzbrille u. ä.

- Die Bauteile des Gerätes dürfen nicht in einem Mikrowellengerät getrocknet werden.
- Verwenden Sie zur Reinigung keine Abriebschwämme bzw. Drahtgeflechte.
- Der Behälter sollte mindestens einmal täglich gereinigt und entkeimt werden.

- Die Reinigung und Entkeimung des Gerätes sollte mit gehöriger Vorsicht und in regelmäßigen Zeitabständen durchgeführt werden, um hohe Qualität der mittels des Dispensers servierten Getränke zu gewährleisten und den Hygieneanforderungen zu entsprechen.
- **Warnung:** Während der Durchführung der Reinigung und Wartung des Gerätes schließen Sie es nicht an die Stromversorgungsquelle an und setzen Sie es nicht in Gang.
- Für die Zeit der Reinigung und Wartung heben Sie den oberen Teil der Abdeckung an und nehmen sie ab. Nach Abschluss der Reinigung und Wartung bringen Sie die Abdeckung wieder an. Siehe: Abb 10.

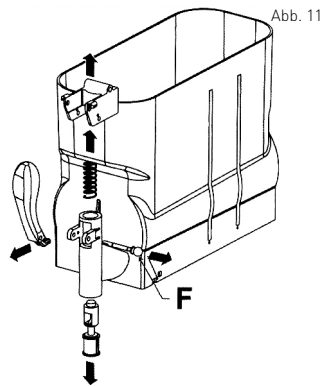


a) Entleerung der Behälter:

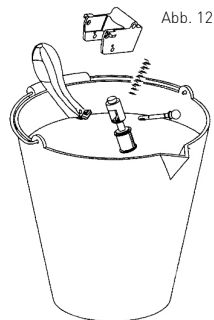
- Vor der Reinigung ist der Behälter von allen Resten des Gemisches zu entleeren.

b) Ausbau des Dispenserhahns:

- Stellen Sie sicher, dass der Behälter keine Reste des Getränkes enthält.
- Bevor Sie den Behälter herausnehmen, bauen Sie den Hahn aus.
- Nehmen Sie den Bolzen (F) heraus, um die restlichen Teile auszubauen.



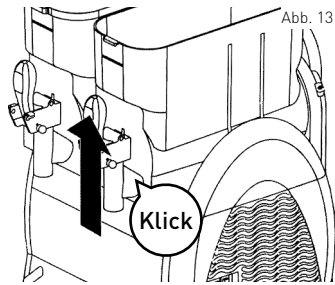
- Zur Reinigung der Teile verwenden Sie reines, warmes Wasser.



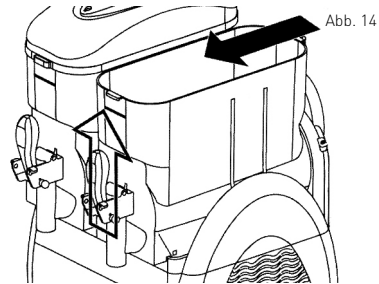
DE

c) Abnahme des Behälters und des Deckels:

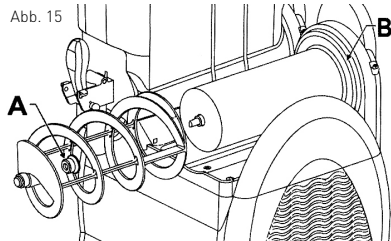
- Um den Deckel (1) vom Behälter (2) abzunehmen, gehen Sie nach der nachstehenden Anleitung und nach Abb. 13 vor:
 - 1) Heben Sie den hinteren Teil des Deckels an.
 - 2) Nehmen Sie den Deckel (2) vom im vorderen Teil des Behälters befindlichen Haken ab.
- Anschließend heben Sie den vorderen Teil des Behälters an und haken ihn aus.



- Dann nehmen Sie den Behälter ab, ihn behutsam von hinten schiebend. Der Behälter kann abgenommen werden.



- Schließlich nehmen Sie die Schnecke heraus und bauen Sie die Mutter (A) sowie den Dichtungsring des Behälters (B) aus. Wechseln Sie die Teile (A) und (B) aus, soweit verschlissen; obligatorischer Wechsel alle 12 Monate.



d) Waschen und Entkeimen der Geräteteile:

Bemerkung: Alle vorgenannten Teile müssen nach dem Ausbau genau gewaschen und entkeimt werden. Es wird empfohlen, das Gerät täglich zu waschen und zu entkeimen, um hohe Qualität der Desserts und Getränke zu bewahren.

Um die Reinigung und Entkeimung richtig durchzuführen, befolgen Sie die folgenden Hinweise:

- Füllen Sie den Behälter mit heißem (50-60 °C) Wasser mit Detergengzugabe.
- Waschen Sie die ausgebauten Teile genau mit der Lösung von Wasser und Detergens.
- Spülen Sie sie ab mit heißem Wasser.
- Tauchen Sie die ausgebauten Teile in die Lösung und belassen Sie sie dort für ca. 30 Minuten.
- Anschließend waschen Sie die Teile erneut mit reinem Wasser.

- Legen Sie alle Teile auf eine trockene, saubere Fläche und lassen Sie sie dort austrocknen.
- Bauen Sie das Gerät gemäß der Anleitung unter Punkt e) wieder zusammen.
- Vor erneutem Einsatz des Dispensers führen Sie einen Spülzyklus mit reinem Wasser durch. (Siehe: Punkt f)).

Warnung: Tauchen Sie die Behälterdeckel mit Glühlampen in keine Flüssigkeit. Vor der Reinigung vergewissern Sie sich, dass die Glühlampen gemäß der nachstehenden Anleitung (siehe Abb. 27) herausgeschraubt worden sind.

Ein Deckel mit Glühlampe ist gemäß der folgenden Anleitung u reinigen:

1. Mit einem sauberen, feuchten Lappen reinigen Sie die innere und die äußere Oberfläche des Behälterdeckels.
2. Mit einem in eine Reinigungsmittellösung getauchten Schwamm führen Sie die Entkeimung der inneren Oberfläche des Deckels durch, wobei die Scharniere (X) ca. 10 Minuten lang nicht berührt werden dürfen.
3. Waschen Sie dann die Flächen zwei- bzw. mehrmals mit einem sauberen, mit warmem Frischwasser benetzten Schwamm ab.
4. Trocknen Sie sie ab mit einem sauberen, trockenen Lappen.

e) Reassembly the washed components

Bemerkung: Alle gewaschenen Teile des Gerätes müssen unter Aufbietung entsprechender Vorsicht wieder eingebaut werden. Einige Teile müssen mit dem mitgelieferten Schmiermittel geschmiert werden, um deren einwandfreien Betrieb sicherzustellen.

- Überprüfen Sie immer den Zustand der Dichtung (A) – ist sie verschlissen, muss sie ausgewechselt werden.
 - Die Schneckenmutter (A) wechseln Sie mindestens alle 12 Monate aus.
 - Bringen Sie die Schneckenmutter (A) gemäß der Anweisung an (siehe: Abb. 17).
 - Schmieren Sie das Innere der Schneckenmutter (A) gemäß der Abbildung 18 mit dem mitgelieferten Schmiermittel ab.
-
- Anschließend bringen Sie den Dichtungsring des Behälters (B) an und tragen das Schmiermittel ringsum gemäß der dargestellten Abbildung auf (siehe Abb. 19).

5. Bringen Sie den Deckel wieder auf dem gewaschenen und entkeimten Behälter an.

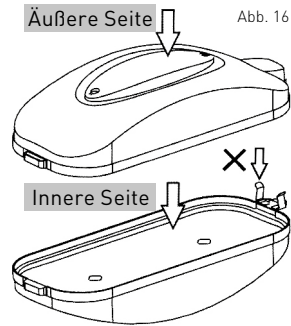


Abb. 16

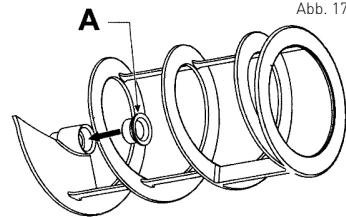


Abb. 17

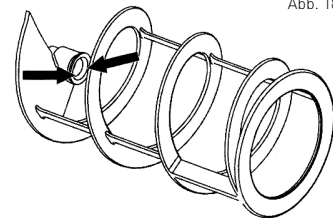


Abb. 18

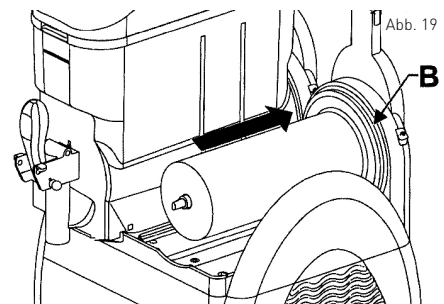
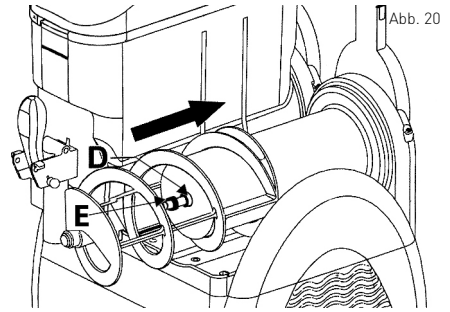
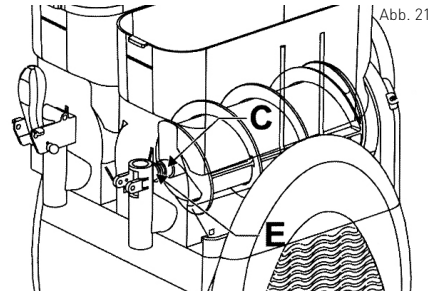


Abb. 19

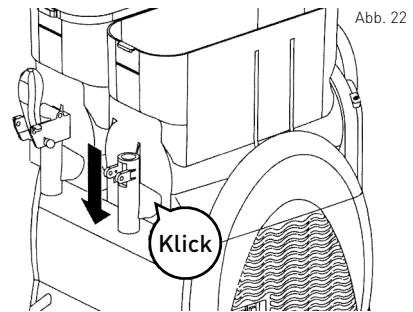
- Dann bauen Sie die Schnecke sowie die weiße (D) und die schwarze (E) Unterlegscheibe auf der Welle ein. Drehen Sie die Schnecke, um sie zu befestigen.



- Anschließend bauen Sie den Behälter an der richtigen Stelle ein und heben behutsam den Vorderteil der Schnecke, um sie in die richtige Position (E) gegenüber dem Behälter zu bringen (siehe: Abb. 21).

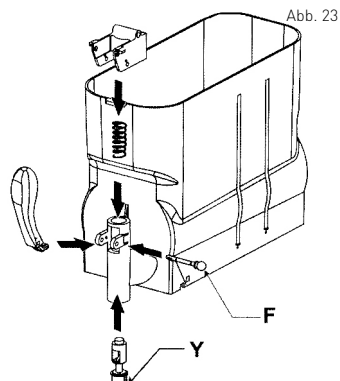


- Drücken Sie behutsam auf den Behälter, bis er sich in der richtigen Position einstellt (siehe: Abb. 22).



Gehen Sie gemäß der nachstehenden Anleitung vor, um den Hahn (7) wieder einzubauen:

- Mit dem mitgelieferten Schmiermittel schmieren Sie den Hahn entsprechend ab und bauen alle Teile ein.
- Schieben Sie den Bolzen (F) ein, den Hahnhebel zurückhaltend (siehe: Abb. 23).
- Wechseln Sie den Dichtungsring des Hahns (C) aus, wenn er verschlissen ist oder leckt.



f) Spülung des Gerätes

Bemerkung: Nach der Reinigung und vor dem erneuten Einsatz des Gerätes führen Sie einen Spülzyklus durch.

leitung zur Durchführung des Spülzyklus:

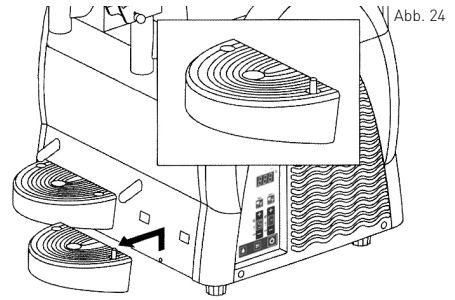
- Gießen Sie reines Wasser in den Behälter.

g) Reinigung der Tropfschale

Bemerkung: Die Tropfschale sollte jedes mal entleert und gereinigt werden, wenn sich die Auffüllungsanzeige herauschiebt. Die Tropfschale sollte täglich gereinigt werden.

- Hebe Sie die Tropfschale an und ziehen Sie sie mitsamt dem darauf befindlichen Tropfgitter heraus.
- Waschen Sie die Tropfschale und das Tropfgitter separat mit lauwarmem Wasser.
- Trocknen Sie beide Teile gut ab und bringen Sie das Tropfgitter wieder auf der Tropfschale an.
- Befestigen Sie die Wasserableitung an der entsprechenden Öffnung.
- Schieben Sie die Tropfschale wieder in das Gerät ein und drücken darauf, um sie richtig zu befestigen.

- Das Gerät sollte mindestens 5 Minuten lang ununterbrochen die Flüssigkeit im Behälter mischen.
- Schalten Sie das Gerät aus und entleeren Sie den Behälter durch Öffnen des Hahns (7).

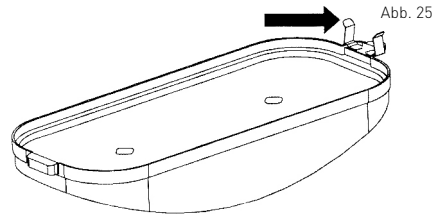


DE

h) Deckel mit Beleuchtung

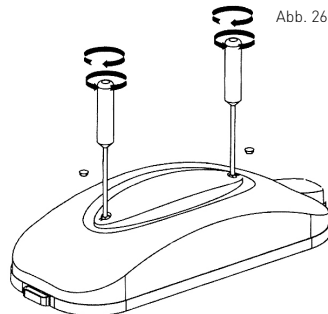
Bemerkung: Bei der Reinigung seien Sie vorsichtig, um die „Kontakte“ nicht zu verbiegen, zu brechen oder zu beschädigen. Jede Beschädigung der Kontakte kann unrichtige Funktion des Deckels mit Beleuchtung herbeiführen.

- Die Kontakte des Deckels mit Beleuchtung reinigen Sie mit einem feuchten Lappen und trocknen sie gut ab. Beachten Sie immer die Notwendigkeit, das Gerät auszuschalten.
- Zur Reinigung tauchen Sie das Gerät nicht in Wasser.

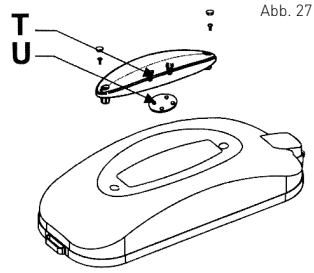


i) Wechsel der Glühlampe

- Die Glühlampe darf nur dann ausgewechselt werden, wenn das Gerät ausgeschaltet und das Versorgungskabel von der Stromversorgungsquelle getrennt ist.
- Nehmen Sie die Sicherungsglaschen ab. Anschließend drehen Sie mit einem geeigneten Schraubenzieher (nicht mitgeliefert) die Schrauben heraus, um den Deckel abzunehmen.



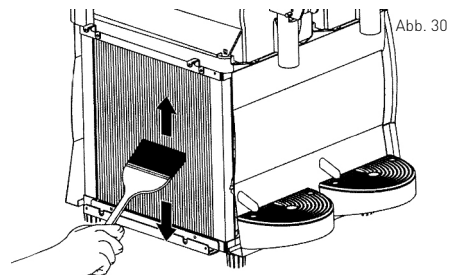
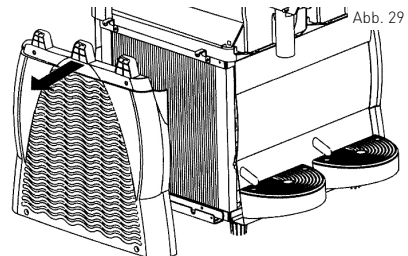
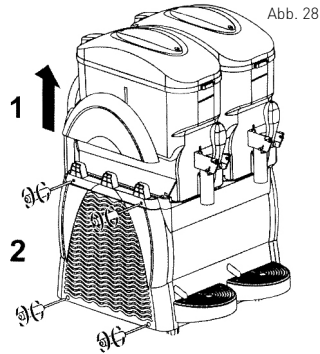
- Nehmen Sie die Glühlampe (U) aus der Fassung (T). Wechseln Sie die Glühlampe gegen eine neue (nicht mitgeliefert).



j) Reinigung des Verflüssigers

- **Bemerkung:** Die Reinigung des Verflüssigers darf ausschließlich durch einen qualifizierten Techniker mit geeigneten Werkzeugen/Geräten durchgeführt werden.
- Der Verflüssiger sollte regelmäßig (mindestens alle 6 Monate) gereinigt werden, um die entsprechende Funktion des Gerätes zu gewährleisten.
- Um Zugang zum Verflüssiger zu schaffen, ist zunächst das Schutzpaneel abzunehmen.
- **Warnung:** Nach der Abnahme des Schutzpaneels werden scharfe Teile des Gerätes freigelegt.
- Um das Schutzpaneel abzunehmen, ist gemäß der nachstehenden Anleitung vorzugehen:

- 1) Heben Sie das Oberteil des Schutzpaneels an und nehmen Sie es ab.
- 2) Schrauben Sie die 4 Befestigungsschrauben des Schutzpaneels ab.
- 3) Nach dem Abschrauben der 4 Schrauben nehmen Sie das Schutzpaneel ab. (Siehe: Abb. 29)
- 4) Mit einem trockenen Pinsel (nicht mitgeliefert) beseitigen Sie den angesammelten Staub. (Siehe: Abb. 30)
- 5) Nach genauer Reinigung des Verflüssigers bauen Sie das Schutzpaneel wieder an.



k) Wiederkehrende Wartung

Das Gerät muss der wiederkehrenden (mindestens alle 6 Monate) Wartung durch einen qualifizierten Techniker unterzogen werden. Die wiederkehrende Wartung hat zum Zweck sicherzustellen, dass das Gerät und dessen alle Bestandteile völlig sicher sind.

Verschlossene Teile des Gerätes sind gegen originale Ersatzteile auszuwechseln. Das Gerät darf nicht betrieben werden, wenn auch nur ein dessen Teil fehlerhaft bzw. verschlissen ist. Die wiederkehrende Wartung darf nicht durch den Betreiber durchgeführt werden.

Suche und Beseitigung von Störungen

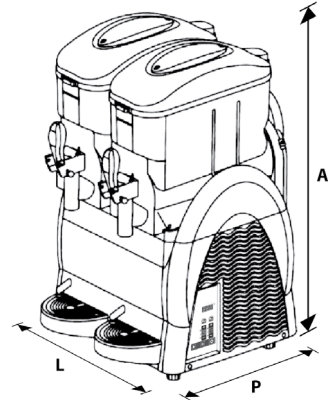
Wenn das Gerät nicht richtig funktioniert, machen Sie sich mit der nachstehenden Tabelle vertraut, um die richtige Lösung zu finden.

Können Sie das Problem nicht lösen, verständigen Sie den Lieferer des Gerätes.

Problem	Mögliche Ursache	Mögliche Lösung
Das Gerät startet nicht nach dem Anschluss an die elektrische Steckdose.	Das Versorgungskabel und der Stecker sind nicht richtig an die Steckdose angeschlossen.	Überprüfen Sie noch einmal den Anschluss. Stellen Sie sicher, dass alle Teile richtig angeschlossen sind.
Der Dispenserhahn leckt.	Der Hahn wurde unrichtig eingebaut.	Bauen Sie den Hahn aus und prüfen Sie, ob er richtig befestigt wurde.
	Der Kolben des Hahns ist nicht abgeschmiert.	Schmieren Sie den Kolben des Hahns ab.
	Der Kolben des Hahns ist beschädigt.	Verständigen Sie den Lieferer des Gerätes.
Das Gemisch tritt hinten am Behälter aus.	Der Behälter wurde unrichtig eingebaut.	Prüfen Sie, ob der Behälter richtig eingebaut ist und bauen Sie ihn bei Bedarf erneut ein.
	Der Dichtungsring des Behälters ist nicht abgeschmiert.	Schmieren Sie den Dichtungsring des Behälters ab.
	Der Dichtungsring des Behälters ist beschädigt.	Wechseln Sie den Dichtungsring des Behälters aus.
Die Schnecke dreht sich nicht.	Die Schnecke wurde durch Eis im Behälter blockiert.	Warten Sie, bis das Eis auftaut.
Das Gerät erzeugt „Granita“ nicht.	Die Betriebsart „Granita“ ist nicht eingestellt.	Wählen Sie die Betriebsart „Granita“.
	Der Verflüssiger ist schmutzig.	Reinigen Sie regelmäßig den Verflüssiger.
	Nicht ausreichende Belüftung.	Stellen Sie eine entsprechende Belüftung sicher.
	Das Gerät ist zu nahe an einer Wärmequelle aufgestellt.	Stellen Sie das Gerät fern von der Wärmequelle auf.
Die arbeitende Schnecke erzeugt Lärm.	Die vordere Dichtung (A) ist falsch aufgelegt.	Prüfen Sie die Lage der Dichtung (A) und legen Sie sie richtig auf.
	Die vordere Dichtung (A) ist nicht abgeschmiert.	Schmieren Sie die vordere Dichtung (A) ab.
	Das Gemisch ist zu dick.	Ändern Sie die Gemischdichte.
„Granita“ hat dunkle Flecke.	Der Behälter ist schmutzig.	Schalten Sie das Gerät aus und ziehen Sie den Stecker aus der Steckdose. Waschen Sie genau den Behälter.
	Der Dichtungsring der Schnecke ist schmutzig.	Reinigen Sie erneut den Dichtungsring.
Der Hahn des Dispensers dosiert nicht die richtigen Mengen.	Der Hahn wurde durch Eis blockiert.	Schalten Sie das Gerät aus und warten Sie, bis das Eis auftaut.

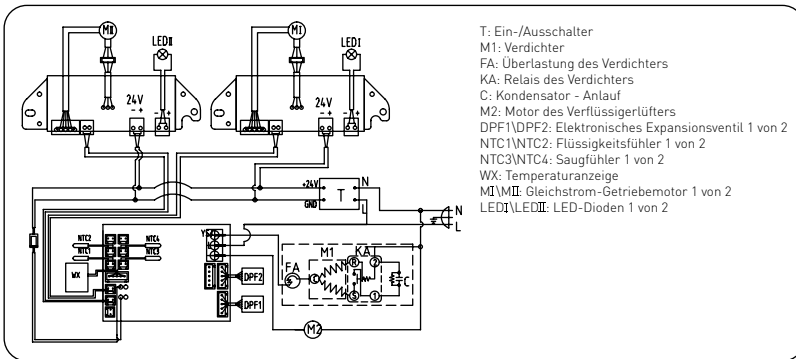
Technische Spezifikation

Produkt-Nr.	274224
Abmessungen des Gerätes	P: 520mm x A: 810mm x L: 470mm
Gewicht (Behälter leer)	50kg
Höchstaufnahme elektrischer Leistung (W)	850W
Betriebsspannung (V) & Frequenz (Hz)	220-240V~ 50Hz
Betriebstemperatur	Min. 20°C to Max. 32°C
Anzahl der Behälter:	2
Rauminhalt jedes Behälters	12 liter + 12 liter
Geräuschpegel	< 70 dB
Schutzart	Class I
Dichtigkeitsbeiwert:	IPX0
Kühlmedium / Menge	R404a / 450g
Nettogewicht (Behälter leer)	62kg
Klimaklasse	N



Bemerkungen: Die Technische Spezifikation kann ohne frühere Ankündigung geändert werden.

Elektrischer Schaltplan (Produkt Nr. 274224)




Einstellung der Geräteparameter


WARNUNG: Es wird nicht empfohlen, die nachstehenden Einstellungen zu ändern, weil die vorhan-

den Werkeinstellungen optimal sind. Ändern Sie die Einstellungen nur, wenn es notwendig ist.

Änderung der Einstellungen

Drücken Sie  und halten sie ca. 6 Sekunden lang gedrückt. Die angezeigte Temperatur beginnt zu blinken.

Drücken Sie „+“ oder „-“, um den Wert „15“ einzustellen (es ist der Zugangscode zum Einstellungsmodus).

Anschließend betätigen Sie  mehrmals, um den zu ändernden Parameter zu wählen (die Parameter erscheinen der Reihe nach am Display). Zu wählende Parameter:

Display	Beschreibung	Bereich	Werkeinstellung
F1	Temperatur in Behälter I bei Betriebsart „Saft“	1°C ~ 7°C	2°C
F2	Temperatur in Behälter II bei Betriebsart „Saft“	1°C ~ 7°C	2°C
F3	Nichtzutreffend		
C1	Absicherung gegen zu niedrige Temperatur	-3°C ~ 10°C	-5°C
C3	Absicherung - Flüssigkeitstemperatur am Ausgang in der ersten Phase	5°C ~ 10°C	10°C
C4	Absicherung - Flüssigkeitstemperatur am Ausgang in der zweiten Phase	3°C ~ 8°C	5°C
A1	Ausgleichstemperatur der Sonde für Behälter I	-5°C ~ 5°C	0°C
A2	Ausgleichstemperatur der Sonde für Behälter II	-5°C ~ 5°C	0°C
A3	Nichtzutreffend		
E1	Temperaturdifferenz in der Betriebsart „Saft“	1°C ~ 5°C	2°C
E2	Zeitliche Verzögerung des Verdichters	2 ~ 8 min	2 min

DE

Garantie

Alle innerhalb von einem Jahr nach dem Kaufdatum festgestellten Defekte oder Mängel, die die Funktionalität des Gerätes beeinträchtigen, werden auf dem Wege der unentgeltlichen Reparatur bzw. des Austausches unter der Voraussetzung beseitigt, dass das Gerät in einer der Bedienungsanleitung gemäßen Art und Weise betrieben und gewartet wird und weder vorsätzlich vernichtet noch nicht bestimmungsgemäß genutzt wurde. Ihre Rechte aus den entsprechenden Gesetzen

bleiben davon unberührt. Eine in der Garantiefrist einzureichende Beanstandung hat die Angabe des Kaufortes und Kaufdatums und in der Anlage einen Kaufbeleg (z.B. Kassenzettel) zu enthalten.

Gemäß unserer Politik der ständigen Weiterentwicklung unserer Produkte behalten wir uns vor, Änderungen am Produkt, an seiner Verpackung und an den dokumentierten technischen Daten ohne vorherige Ankündigung vorzunehmen.

Entsorgung und Umweltschutz

Wird das Gerät außer Betrieb genommen, darf es nicht über den Hausmüll entsorgt werden. Der Benutzer ist für die Übergabe des Gerätes an eine geeignete Sammelstelle für Altgeräte verantwortlich. Die Nichteinhaltung dieser Regel kann gemäß den geltenden Vorschriften über die Abfallentsorgung bestraft werden. Die getrennte Sammlung und das Recycling der Altgeräte trägt zur Schonung der natürlichen Res-

ourcen bei und sorgt für eine umwelt- und gesundheitsschonende Verwertungsweise. Weitere Informationen darüber, wo Sie Ihre Altgeräte entsorgen können, erhalten Sie bei Ihrem örtlichen Entsorgungsunternehmen. Der Hersteller und der Importeur übernehmen keine Verantwortung für das Recycling sowie die umweltfreundliche Verwertung von Abfällen, weder direkt noch über ein öffentliches System.

Geachte klant,


Hartelijk dank voor de aankoop van dit Arktic apparaat. Leest u deze gebruiksaanwijzing zorgvuldig voordat u het apparaat gebruikt, dit om schade door verkeerd gebruik te voorkomen. Lees vooral de veiligheidsinstructies aandachtig door.

Veiligheidsinstructies

- Onjuiste bediening en verkeerd gebruik van het apparaat kan ernstige schade aan het apparaat en verwonding van personen tot gevolg hebben.
- Dit apparaat mag alleen worden gebruikt voor commerciële doeleinden en mag niet worden gebruikt voor huishoudelijk gebruik.
- Het apparaat mag alleen worden gebruikt voor het doel waarvoor het werd ontworpen. De fabrikant aanvaardt geen enkele aansprakelijkheid voor schade als gevolg van onjuiste bediening en verkeerd gebruik.
- Zorg dat het apparaat en de stekker niet met water of een andere vloeistof in aanraking komen. Mocht het apparaat onverhoopt in het water vallen, trek dan onmiddellijk de stekker uit het stopcontact en laat het apparaat controleren door een erkend vakman. Niet-naleving hiervan kan levensgevaar opleveren.
- Probeer nooit zelf de behuizing van het apparaat te openen.
- Steek geen voorwerpen in de behuizing van het apparaat.
- Raak de stekker niet met natte of vochtige handen aan.
- **Gevaar van elektrische schokken!** Probeer het apparaat niet zelf te repareren. In het geval van storingen, laat reparaties alleen uitvoeren door gekwalificeerd personeel.
- **Gebruik nooit een beschadigd apparaat!** Als het apparaat is beschadigd, haal de stekker dan uit het stopcontact en neem contact op met de winkel.
- **Waarschuwing!** Dompel de elektrische onderdelen van het apparaat niet onder in water of andere vloeistoffen. Houd het apparaat nooit onder stromend water.
- Controleer de stekker en het netsnoer regelmatig op schade. Als de stekker of het netsnoer is beschadigd, moet het worden vervangen door de technische dienst of een soortgelijk gekwalificeerd persoon om gevaar of letsel te voorkomen.
- Zorg ervoor dat het netsnoer niet in contact komt met scherpe of hete voorwerpen en houd het uit de buurt van open vuur. Als u de stekker uit het stopcontact wilt halen, trek dan altijd aan de stekker en niet aan het netsnoer.
- Zorg ervoor dat niemand per ongeluk aan het netsnoer (of verlengsnoer) kan trekken of kan struikelen over het netsnoer.
- Houd het apparaat in de gaten tijdens gebruik.
- **Waarschuwing!** Zolang de stekker in het stopcontact zit, is het apparaat aangesloten op de voedingsbron.
- Schakel het apparaat uit voordat u de stekker uit het stopcontact trekt.
- Draag het apparaat nooit aan het netsnoer.
- Gebruik geen extra hulpmiddelen die niet worden meegeleverd met het apparaat.
- Sluit het apparaat alleen aan op een stopcontact met de spanning en frequentie die is vermeld op het typeplaatje.

- Sluit de stekker aan op een stopcontact dat eenvoudig bereikt kan worden, zodat de stekker in geval van nood onmiddellijk uit het stopcontact kan worden getrokken. Trek de stekker volledig uit het stopcontact om het apparaat volledig uit te schakelen. Gebruik de stekker om het apparaat los te koppelen van het lichtnet.
- Schakel het apparaat altijd uit voordat u de stekker uit het stopcontact trekt.
- Gebruik nooit accessoires die niet worden aanbevolen door de fabrikant. Zij kunnen mogelijk een veiligheidsrisico vormen voor de gebruiker en kunnen het apparaat mogelijk beschadigen. Gebruik alleen originele onderdelen en accessoires.
- Dit apparaat is niet geschikt voor gebruik door personen (inclusief kinderen) met een verminderd fysiek, sensorisch of geestelijk vermogen, of gebrek aan ervaring en kennis.
- Dit apparaat mag onder geen enkele omstandigheid worden gebruikt door kinderen.
- Houd het apparaat en het netsnoer buiten bereik van kinderen.
- Kinderen mogen niet met het apparaat spelen.
- Koppel het apparaat altijd los van het lichtnet als het onbeheerd wordt achtergelaten en voordat het apparaat wordt gemonteerd, gedemonteerd of gereinigd.
- Laat het apparaat nooit onbeheerd achter tijdens gebruik.

Speciale voorzorgsmaatregelen

- Dit apparaat moet door gespecialiseerd of getraind personeel in keukens of barpersoneel worden bediend en onderhouden.
- **Let op! Brandgevaar!** Het gebruikte koelmiddel is R404a. Het gebruik van enig ander koelmiddel kan gebruikers blootstellen aan onverwachte veiligheidsrisico's & brandgevaar.
-  **WAARSCHUWING:** Schakel apparaat uit voordat u de behuizing van het apparaat/deksel van de kom opent en handelingen in het apparaat uitvoert vanwege naar binnen trekkend bewegingsgevaar.
-  **WAARSCHUWING:** Op de huid gespoten koelvloeistof kan ernstige schade aan weefsel veroorzaken. Bescherm uw ogen en huid. Als er brandwonden ontstaan door koelmiddel, spoel onmiddellijk met koud water. Als brandwonden ernstig zijn, gebruik ijspacks en neem onmiddellijk contact op met een arts voor behandeling.
- **WAARSCHUWING:** Houd alle ventilatieopeningen in de behuizing van het apparaat vrij. Zorg bij inbouw voor voldoende ventilatie in de omliggende structuur. Blokkeer de luchtingang en -uitgang nooit om oververhitting te voorkomen.
- Houd alle ventilatieopeningen in de behuizing van het apparaat vrij. Zorg bij inbouw voor voldoende ventilatie in de omliggende structuur. Blokkeer de luchtingang en -uitgang nooit om oververhitting te voorkomen.
- Gebruik geen hard keukengerei om tegen het glazen oppervlak te slaan. Gebruik geen waterstralen of stoomreiniger en spoel niet rechtstreeks af met water, omdat de onderdelen van het apparaat nat kunnen worden en dit kan leiden tot elektrische schokken.
- Plaats geen voorwerpen op het apparaat. Plaats geen open vuurbonnen (bijv. kaarsen) op of naast het apparaat. Plaats geen voorwerpen gevuld met vloeistof (bijv. vazen) op of in de buurt van het apparaat.

- Bedek het apparaat nooit tijdens gebruik. Dit kan brandgevaar veroorzaken.
- Maak geen extra openingen in het apparaat. Installeer geen gadgets in het apparaat.
- Probeer niet op het apparaat te klimmen.

De installatie van het apparaat

- Alle installatiehandelingen mogen uitsluitend worden uitgevoerd door speciaal getraind personeel, die alle installatiehandelingen in de juiste volgorde en met behulp van het juiste gereedschap moeten uitvoeren, in strikte overeenstemming met de van kracht zijnde regelgeving.
- Dit apparaat moet binnenhuis worden geïnstalleerd in een goed geventileerde omgeving en het moet geplaatst worden op een vlakke, horizontale, droge en stevige ondergrond.
- Dit apparaat mag alleen worden gebruikt indien iemand toezicht houdt op het apparaat en moet worden geïnstalleerd op een plaats waar het tijdens gebruik in de gaten kan worden gehouden door getraind personeel.
- Dit apparaat mag alleen worden gebruikt op plaatsen met een omgevingstemperatuur tussen 20°C en 32°C.
- Laat tijdens de installatie een ruimte van minimaal 25 cm vrij aan de achterkant en aan de linker- en rechterkant voor voldoende ventilatie. We raden sterk aan het apparaat te installeren op een plaats met goede natuurlijke ventilatie om de ventilatie-eigenschappen optimaal te benutten.
- Er moet voldoende ruimte vrij worden gehouden rond het apparaat, zodat getraind personeel zonder belemmeringen/problemen kan werken. Dit zorgt er bovendien voor dat getraind personeel de locatie onmiddellijk kan verlaten in geval van nood.
- Dit apparaat is niet geschikt voor plaatsing in een omgeving waar waterstralen worden gebruikt.
- **WAARSCHUWING:** Het stopcontact moet zich op een plek eenvoudig binnen het bereik van de gebruiker bevinden. Zodat het indien nodig geen moeite kost om het apparaat los te koppelen van het lichtnet.
- Gebruik het meegeleverde smeermiddel om alle in deze handleiding aangegeven onderdelen te smeren na de was- en reinigingshandelingen.
- Als het netsnoer is beschadigd, moet u het laten vervangen door de fabrikant of een gespecialiseerd technicus.
- Het is verboden om verlengsnoeren van welk type dan ook te gebruiken of om de oorspronkelijke stekker te vervangen of om gebruik te maken van externe adapters.

Elektrische onderdelen en andere gevaren

- Er mogen geen andere apparaten op hetzelfde stopcontact als dit apparaat worden aangesloten.
- Als u het apparaat heeft uitgeschakeld of losgekoppeld van het lichtnet, wacht dan ongeveer 5 minuten voordat u het apparaat opnieuw inschakelt.
- Dompel het apparaat niet onder in water. Wassen kan lekkage veroorzaken en het risico op elektrische schokken verhogen. Geen van de onderdelen/accessoires mag worden gewassen in de vaatwasser.

Beoogd gebruik

- Het apparaat is bestemd voor professioneel gebruik en mag alleen worden bediend door gekwalificeerd personeel.
- Deze machine is uitsluitend bestemd voor de afgifte van koude dranken.
- Gebruik van het apparaat voor andere doeleinden wordt beschouwd als verkeerd gebruik van het apparaat. De gebruiker is volledig aansprakelijk voor alle risico's die voortvloeien uit verkeerd gebruik van het apparaat.

Installatie met aarding

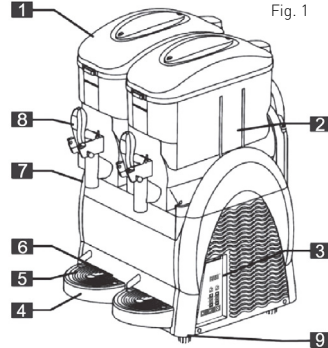
Dit apparaat is geclassificeerd als beschermingsklasse I en moet worden aangesloten op een aansluiting met aarde. Aarding verlaagt de kans op elektrische schokken doordat elektrische stroom via een ontsnapingsdraad kan weglopen. Dit ap-

paraat is uitgerust met een snoer met een aarde-draad en een geaarde stekker. De stekker moet in een stopcontact worden gestoken dat juist is geïnstalleerd en geaard.

Belangrijkste onderdelen van het apparaat

Het apparaat bestaat uit de volgende onderdelen:

1. Komdeksel
2. Kom
3. Bedieningspaneel
4. Uitneembare lekbak
5. Rooster
6. Vlotter (overloop-indicator)
7. Dispenserkransen
8. Handgrepen
9. Voet



Reserve-onderdelen

- (A). Afdichtingskap vijzel x1
- (B). Afdichtingsring kom x1
- (C). Afdichtingsring afgiftekraan x10
- (D). Witte sluitring vijzelas x2
- (E). Zwarte sluitring vijzelas x2
- (F). Tube smeermiddel x1

Bedieningspaneel



Power-knop



Mode-knop voor gewenste kom



Indicatielampje kom
Temperatuurweergave



Verhoog hardheid + / Temperatuur

Weergave hardheid / Temperatuur

Verlaag hardheid - /Temperatuur



Indicator granita-modus indicator



Indicator sapmodus

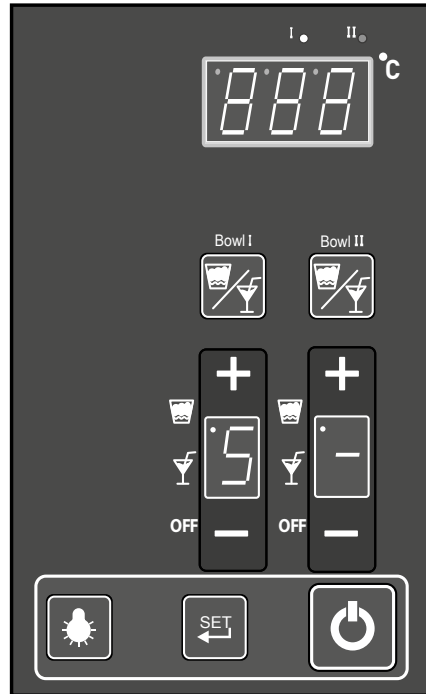
OFF Indicator UIT



Lichtknop



Knop voor instellen parameters (Zie pagina 18 voor instructies instellen)



Vorbereitung op eerste gebruik

- Verwijder alle verpakkingsmaterialen.
- Controleer het apparaat en de accessoires op volledigheid (smeermiddel, sluitring, afdichtingskap)
- Neem in geval van schade of een onvolledige levering contact op met uw leverancier (Zie == > Garantie).
- Gespecialiseerd personeel moet goed controleren of het apparaat naar behoren functioneert.

- Reinig alle onderdelen zoals beschreven (Zie == > Reiniging en onderhoud).

Opmerking: Door fabricageresten kan het apparaat de eerste gebruikscyclus een lichte geur afgeven. Dit is normaal en duidt niet op een defect of gevaar. Zorg ervoor dat het apparaat goed wordt geventileerd.

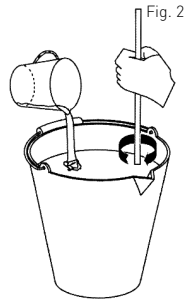
Bediening

a) Bereiding van het voedselingrediënt:

- Verdun en meng het CONCENTRAAT in een geschikte container met WATER en volg de recepten van de fabrikant.

HET VERKREGEN MENGSEL MOET EEN MINIMAAL SUIKERGEHALTE VAN 13°BRIX HEBBEN. Een lagere concentratie kan de boren en/of motorreductoren beschadigen.

- **WAARSCHUWING:** De temperatuur van het voedselingrediënt mag nooit hoger zijn dan 25°C.
- **WAARSCHUWING:** Nooit alleen met water gebruiken.

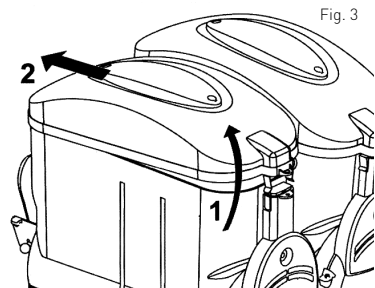


b) Het voedselingrediënt in het apparaat plaatsen:

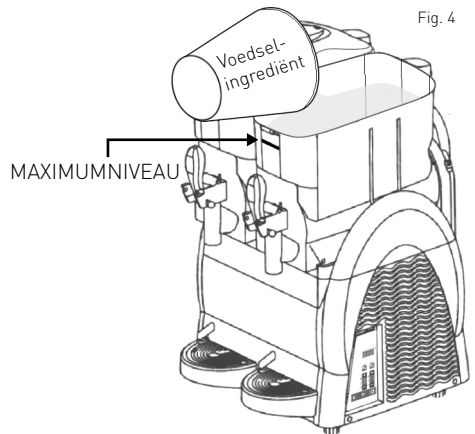
- **WAARSCHUWING:** Het voedselingrediënt mag alleen in de kom (2) worden gegoten als het apparaat is uitgeschakeld en de stekker is losgekoppeld van het stopcontact.

- Volg deze instructies om het deksel (1) van de kom (2) te halen (Zie Fig. 3):

- 1) Til het achterste deel van het deksel op;
- 2) Haal het deksel (1) uit de houder aan de voorkant.



- Giet het voedselingrediënt in de kom (2) en let er daarbij op dat u de kom niet boven het "MAXIMUMNIVEAU" vult. (See Fig. 4). (Giet geen hete vloeistof in de kom om gevaar te vermijden.)



- Sluit het deksel (1) op de kom (2) nadat u het voedsel ingrediënt in de kom (2) heeft gegoten/bijgevuld. Zie Fig. 5.

WAARSCHUWINGEN:


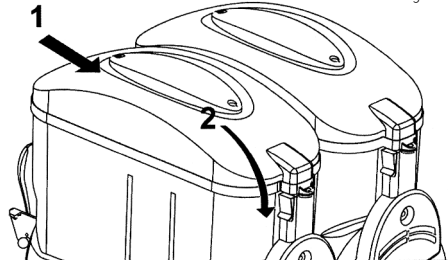




1. Schakel het apparaat nooit in als het deksel niet op de kom is geplaatst. Schakel het apparaat altijd uit en trek de stekker uit het stopcontact voordat u het deksel van de kom verwijdert.
2.  Er zitten een aantal bewegende onderdelen die verwondingen kunnen veroorzaken in de kom, schakel het apparaat uit en trek de stekker uit het stopcontact voordat u handelingen uitvoert.

Fig. 5



c) Het apparaat gebruiken:

Elke kom wordt onafhankelijk bediend.

- Sluit eerst de stekker aan op een geschikt stopcontact.
- Druk daarna op , om het apparaat in te schakelen. Houd  voor 3 seconden ingedrukt om over te schakelen naar de standbymodus van het apparaat wanneer het apparaat niet wordt gebruikt. Zie Fig. 6.
- Druk vervolgens op de knop van de bijbehorende kom ( of ). En druk meerdere malen om de werkmodus te selecteren. Er zijn 3 werkmodi.

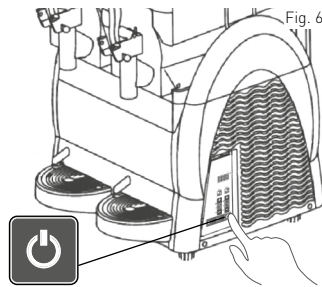





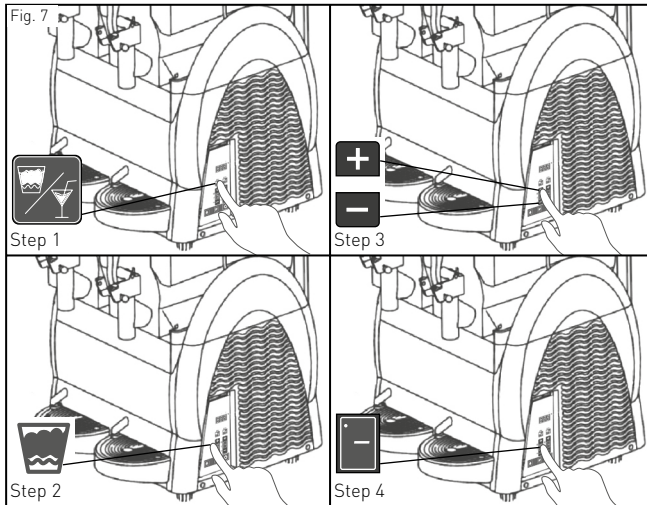
Fig. 6

(Granita , sap  of UIT **OFF**). Het wordt in volgorde weergegeven en het bijbehorende pictogram zal oplichten.

I). Om granita te serveren




- Druk op de knop van de gewenste kom ( of ).
- Druk vervolgens een aantal keren om de granita-modus te selecteren,  licht op.

- Druk daarna een aantal keren op "+" of "-" om de hardheid in te stellen. Het niveau kan worden ingesteld van 1 (zacht met veel water) tot 7 (hard met minder water). Zie Fig. 7.

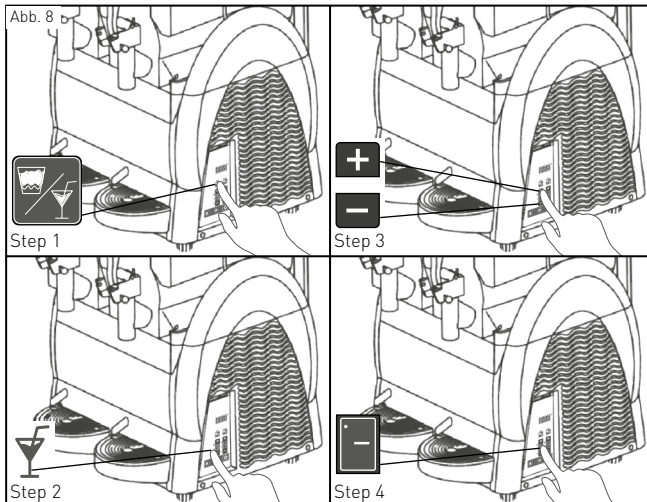


NL



II). Om koude drankjes te serveren

- Druk op de knop van de gewenste kom ( of ).
- Druk vervolgens een aantal keren om de sapmodus te selecteren,  licht op.

- Druk daarna een aantal keren op "+" of "-" om de gewenste temperatuur in te stellen (van 1°C - 7°C).





III). Om het apparaat te stoppen

- Druk op de knop van de gewenste kom ( of ).
- Druk vervolgens een aantal keren om UIT te se-

lecteren, **OFF** licht op. Het apparaat stopt daarna met roeren en koelen.

d) Om de gebruikte kom eenvoudig te reinigen:

- Houd de knop van de gebruikte kom voor ongeveer 6 seconden ingedrukt ( of ).
- De klep van de bijbehorende kom zal nu voor ongeveer 3 minuten volledig openen voor het reinigen. In deze modus zal het bedieningsdisplay "°C" tonen.

Let op: In deze modus zal de magneetklep van de desbetreffende kom openen en zal er geen koelgas

naar buiten stromen. Maar de vijzel zal nog roeren voor het reinigen. Giet warm, schoon water in de kom maar zorg ervoor dat het water niet boven het "MAXIMUMNIVEAU" uitkomt. Steek uw handen nooit in de kom.

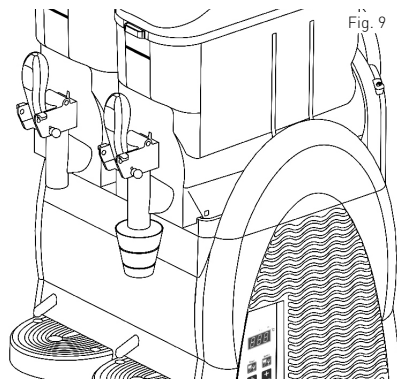
Schakel het apparaat uit en trek de stekker uit het stopcontact om het apparaat grondig te reinigen of desinfecteren.

e) Granita schenken

- Om het voedselproduct te schenken, trek aan de kraanhendel.

Opmerking:

- Controleer regelmatig de temperatuur van de drank in de kom (2). Zorg ervoor dat het apparaat blijft werken als er drank in de kom zit.
- Als het apparaat niet continu in werking is, dient u eerst de kleine hoeveelheid drank uit het kraangebied te laten lopen alvorens de klant te bedienen.



Reiniging en onderhoud

Let op:

- Schakel het apparaat altijd UIT met behulp van de power-knop op het bedieningspaneel (3) en trek de stekker van het apparaat uit het stopcontact alvorens reinigings- & onderhoudswerkzaamheden uit te voeren. Deze handelingen moeten worden uitgevoerd door speciaal hiervoor getraind personeel.

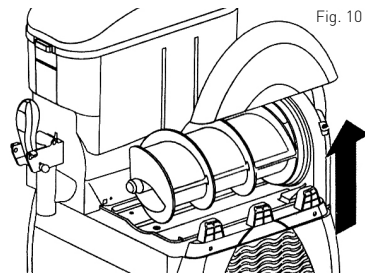
- Draag persoonlijke beschermende kleding (handschoenen, veiligheidsbril, etc.) alvorens reinigings- en onderhoudswerkzaamheden uit te voeren.

Reiniging :

- De binnen- en buitenoppervlakken mogen worden gereinigd met een vochtige doek en een bé-tje reinigingsmiddel.
- Gebruik geen waterstraal of stoomreiniger voor het reinigen en dompel het apparaat niet onder in water.
- Geen van de onderdelen mogen worden gewassen in de vaatwasser

- Geen van de onderdelen mag worden gedroogd in de magnetron.
- Gebruik geen schuur- en/of metalen sponsjes om het apparaat te reinigen.
- De kom moet minimaal eens per dag worden gereinigd.

- Reinigen en desinfecteren zijn handelingen die met zorg en op regelmatige basis moeten worden uitgevoerd om de kwaliteit van de verstrekte drank en een goede hygiëne te kunnen waarborgen.
- **Waarschuwing:** Schakel het apparaat niet in tijdens de reinigings- & onderhoudswerkzaamheden.
- Jeder het voor de reinigings- & onderhoudswerkzaamheden. Plaats het onderdeel weer op het apparaat zodra de werkzaamheden zijn voltooid. Zie Fig.

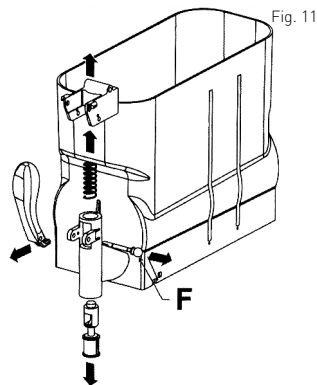


a) De kommen legen:

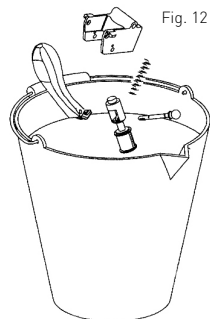
- Voordat een kom kan worden gereinigd, moeten eerst alle voedsel ingrediënten uit de kom worden verwijderd.

b) De afgiftekraan demonteren:

- Zorg ervoor dat er geen drank meer in de kom zit.
- Demonteer de kraan voordat u de kom verwijdert.
- Verwijder de pen (F) om alle andere onderdelen los te maken.

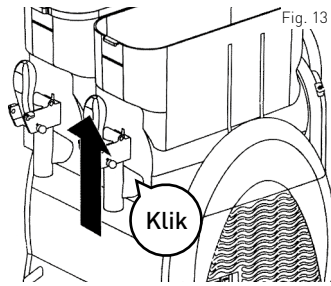


- Gebruik schoon en warm water om de onderdelen te wassen.

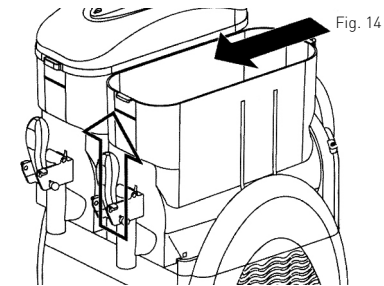


c) De kom en het deksel verwijderen:

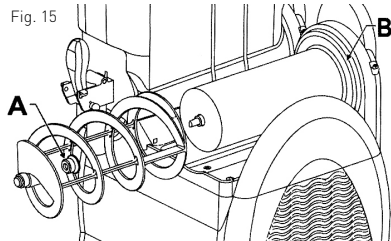
- Volg deze instructies & zie Fig. 2 om eerst het deksel (1) van de kom (2) te verwijderen:
 - 1) Til het achterste deel van het deksel op;
 - 2) Haal het deksel (1) uit de houder aan de voorkant.
- Til daarna de voorkant van de kom op om de kom los te maken.



- Verwijder de kom vervolgens uit zijn positie door zacht tegen de achterkant van de kom te drukken. De kom is nu los.



- Haal tot slot de vijzel uit het apparaat en verwijder de afdichtingskap (A) en de afdichtingsring van de kom (B). Vervang indien versleten of elke 12 maanden.



d) De onderdelen wassen en desinfecteren:

Let op: Alle eerder gedemonteerde en verwijderde onderdelen moeten grondig worden gewassen en gedesinfecteerd. We raden sterk aan het apparaat dagelijks te reinigen en desinfecteren om een hoge mate van voedselkwaliteit te behouden.

Ga als volgt te werk om deze procedure correct uit te voeren:

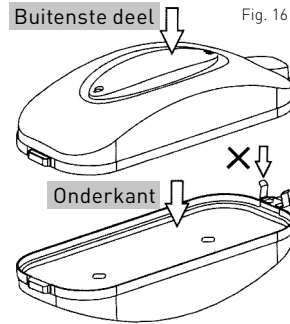
- Vul een kom met reinigingsmiddel en heet water met een temperatuur van 50 ~ 60°C;
- Was de gedemonteerde onderdelen grondig met de reinigungsoplossing.
- Afspoelen met heet water.
- Dompel de gedemonteerde onderdelen onder in de reinigungsoplossing en laat voor ongeveer 30 minuten in de reinigungsoplossing weken.

- Was de onderdelen daarna opnieuw met schoon water.
- Plaats de verschillende onderdelen op een droog, schoon oppervlak en droog de onderdelen goed af.
- Monteer het apparaat zoals hieronder beschreven in deel e).
- Voer een spoelcyclus uit met schoon water voordat u het apparaat opnieuw gebruikt.

Waarschuwing: Dompel de komdeksels met lamp niet onder in vloeistof. Zorg er vóór het reinigen voor dat de lampen zijn verwijderd uit het apparaat, zoals hieronder beschreven (Zie fig. 27):

Reinig het verlichte deksel zoals hieronder beschreven:

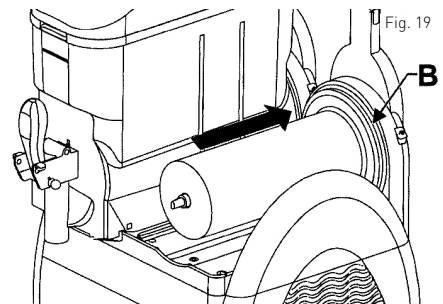
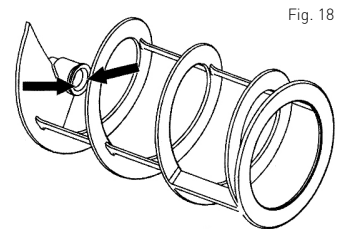
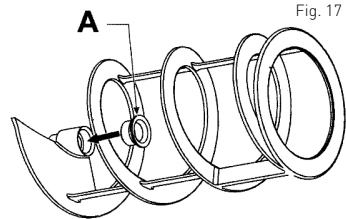
1. Gebruik een schone, vochtige doek om de onderkant van het komdeksel & het buitenoppervlak schoon te vegen.
2. Gebruik een spons gedrenkt in de reinigungsoplossing om de onderkant van het komdeksel te desinfecteren en zorg ervoor dat u het scharnierdeel (X) niet aanraakt voor ongeveer 10 minuten.
3. Spoel tweemaal of vaker, met een schone spons gedrenkt in warm water.
4. Droog af met een droge, schone doek.
5. Plaats het komdeksel alleen terug op de kom nadat het is gereinigd en gedesinfecteerd.



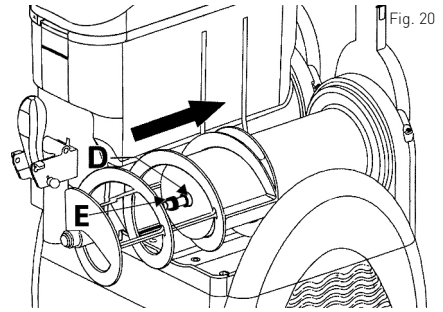
e) De gewassen onderdelen opnieuw monteren

Let op: Alle gewassen onderdelen moeten zorgvuldig opnieuw gemonteerd worden. Sommige onderdelen moeten voldoende worden gesmeerd met het meegeleverde smeermiddel om ervoor te zorgen dat ze efficiënt dienst doen.

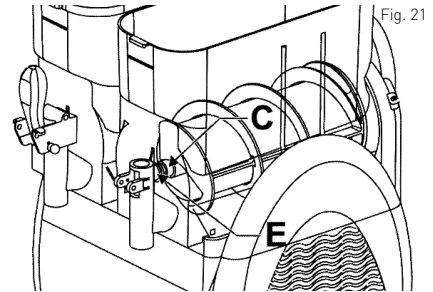
- Controleer altijd de integriteit van de afdichting (A). Mocht deze versleten zijn, vervang dan door een nieuwe (meegeleverd).
 - Vervang de afdichtingskap van de vijzel (A) ten minste eens elke 12 maanden.
 - Plaats de afdichtingskap van de vijzel (A) zoals hieronder aangegeven (zie Fig. 17).
 - Smeer het binnenoppervlak van de afdichtingskap van de vijzel (A) zoals getoond in Fig. 18 met het smeermiddel (meegeleverd).
-
- Installeer daarna de afdichtingsring van de kom (B) en smeer rond de ring met het meegeleverde smeermiddel, zoals hieronder getoond (zie Fig. 19).



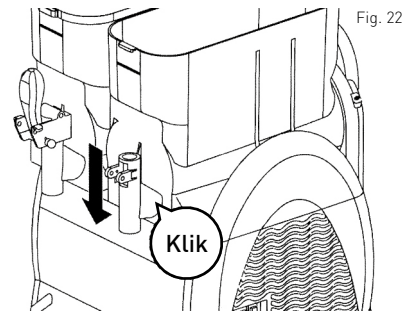
- Installeer daarna de vijzel met de witte sluitring (D) en zwarte sluitring (E) voor de as. Draai de vijzel om vast te zetten.



- Plaats de kom daarna terug op zijn plaats, til de kop van de vijzel licht op, zodat deze is uitgelijnd met de positie (E) van de kom (zie Fig. 21).

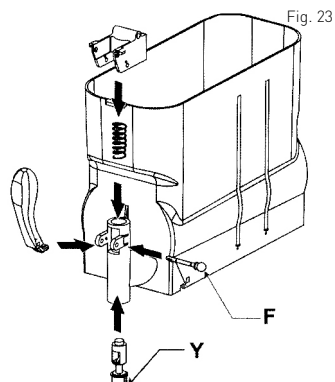


- Druk de kom licht omlaag tot deze vastklikt op de juiste positie (zie Fig. 22).



Volg de onderstaande instructies om de kraan (7) opnieuw te monteren:

- Smeer de kap (Y) goed met het meegeleverde smeermiddel en monteer de onderdelen opnieuw.
- Monteer de pen (F) terwijl u de kraanhendel stabiel in positie houdt (zie Fig. 23).
- Vervang de afdichtingsring van de kraan (C) indien versleten of in geval van lekkage.



f) Het apparaat spoelen

Let op: Voordat u het apparaat na een reinigingsbeurt start, moet u eerst een spoelcyclus uitvoeren. Volg de onderstaande procedure:

- Giet schoon water in de kom.

g) De lekbak reinigen

Let op: De lekbak moet telkens als de rode vlotter in het rooster stijgt en zichtbaar wordt worden geleegd en gereinigd. De lekbak moet dagelijks worden gereinigd.

- Til de lekbak met op met behulp van het rooster en trek eruit.
- Was de bal en het rooster afzonderlijk met lauw water.
- Droog beide onderdelen goed af en plaats het rooster terug op de lekbak.
- Plaats de afvoerslang in de opening.
- Plaats de bak terug op zijn plaats en druk omlaag om vast te zetten op het apparaat.

h) Verlichting deksel

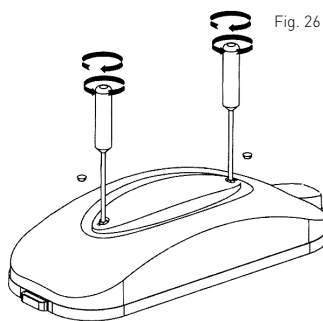
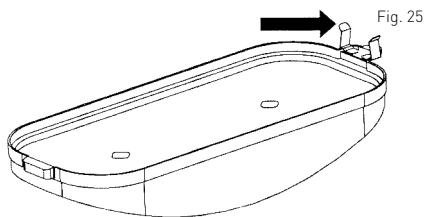
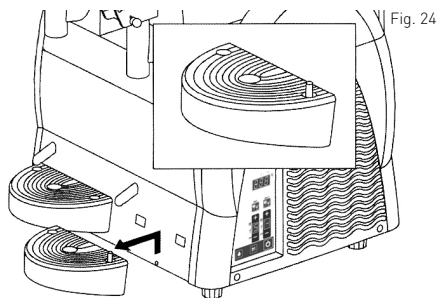
Let op: Zorg ervoor dat u de "contactpunten" niet buigt, breekt of beschadigt tijdens het reinigingsproces. Eventuele schade kan ertoe leiden dat de verlichting in het deksel slecht werkt.

- Reinig de contactpunten van het deksel met een vochtige doek en droog goed. Schakel het apparaat altijd UIT.
- Niet onderdompelen in water tijdens het reinigen.

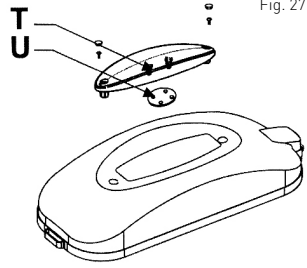
i) Lamp vervangen

- De lamp mag alleen worden vervangen als het apparaat is uitgeschakeld en de stekker uit het stopcontact is gehaald.
- Verwijder vervolgens de beschermkapjes. Gebruik daarna een goede schroevendraaier (niet meegeleverd) om de schroeven los te draaien en het deksel te verwijderen.

- Laat het apparaat minimaal 5 minuten draaien en in „beweging“
- Schakel het apparaat uit en leeg de kom door de kraan te openen (7).



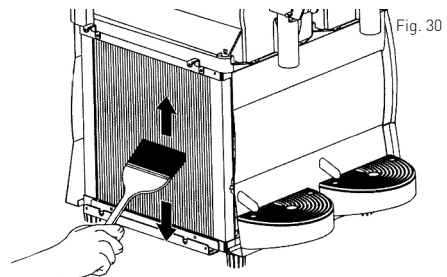
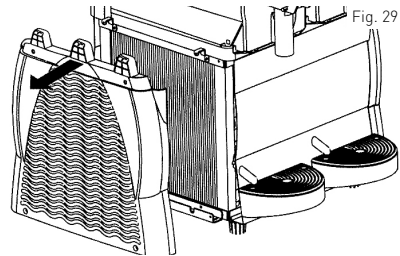
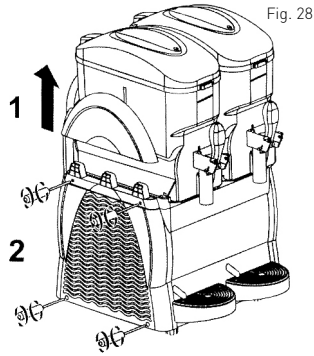
- Verwijder de lamp (U) uit de aansluiting (T). En vervang door een nieuwe lamp (niet meegeleverd).



j) De condensor reinigen

- **Let op:** De condensor mag alleen worden gereinigd door een gespecialiseerd technicus, die alle handelingen in de juiste volgorde moet uitvoeren en gebruik moet maken van geschikt gereedschap/geschikte apparatuur.
- The condensor moet regelmatig worden gereinigd (minimaal eens elke 6 maanden) om ervoor te zorgen dat het apparaat goed blijft presteren.
- Voor toegang tot de condensor moeten eerst de beschermkappen worden verwijderd.
- **Waarschuwing:** Het verwijderen van de beschermkappen zal een aantal scherpe oppervlakken van het apparaat blootstellen.
- Ga als volgt te werk om het beschermkappaneel te verwijderen:

- 1) Til het bovenste deel van de beschermkap aan de zijkant op en verwijder het volledig;
- 2) Draai de 4 schroeven die de beschermkap op zijn plaats houden los.
- 3) Nadat u de schroeven heeft verwijderd, kunt u de beschermkap verwijderen. (Zie Fig. 29)
- 4) Gebruik een droge borstel (niet meegeleverd) om het stof dat zich in de loop der tijd tijdens het gebruik heeft verzameld te verwijderen. (Zie Fig. 30)
- 5) Nadat u de condensor grondig heeft gereinigd, moet u de beschermkap opnieuw monteren.



k) Periodiek onderhoud

Dit apparaat moet periodiek worden gecontroleerd (ten minste eens elke 6 maanden) door een gespecialiseerd technicus. Deze periodieke controle zorgt ervoor dat alle geïnstalleerde onderdelen en het apparaat zelf veilig kunnen worden gebruikt.

Eventuele versleten onderdelen moeten worden vervangen door originele reserveonderdelen. Het is verboden het apparaat te gebruiken als één van de onderdelen defect of versleten is. Het is voor gebruikers verboden om periodiek onderhoud uit te voeren.

Problemen oplossen

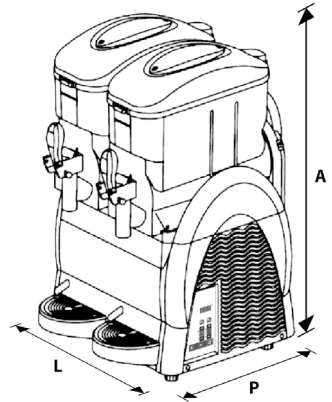
Als het apparaat niet naar behoren functioneert, raadpleeg dan de onderstaande tabel voor een oplossing.

Als u het probleem nog steeds niet kunt oplossen, neem contact op met de leverancier/dienstverlener.

Probleem	Mogelijke oorzaak	Mogelijke oplossing
Het apparaat werkt niet nadat de stekker in het stopcontact is gestoken	Het netsnoer en de stekker zijn niet stevig of niet juist aangesloten	Controleer de aansluiting nogmaals. En zorg ervoor dat alle verbindingen stevig zijn aangesloten.
Lek afgiftekraan	De kraan is niet juist gemonteerd	Demonteer en controleer de positie nogmaals.
	De kraanzuiger is niet gesmeerd	Smeer de kraanzuiger
	De kraanzuiger is defect	Neem contact op met de leverancier
Voedsel lekt uit de achterkant van de kom	De kom is niet juist gemonteerd.	Controleer de positie nogmaals en monteer de kom opnieuw.
	De afdichtingsring van de kom is niet gesmeerd.	Smeer de afdichtingsring van de kom.
	De afdichtingsring van de kom is defect.	Vervang door nieuwe afdichtingsring voor kom.
De vijzel draait niet	De vijzel wordt geblokkeerd door het ijs in de kom.	Laat het ijs eerst smelten.
Het apparaat maakt geen granita	Het apparaat staat niet in de "granita-modus"	Selecteer de "granita-modus"
	The condensor is vuil.	Reinig de condensor regelmatig.
	Onvoldoende ventilatie	Zorg voor voldoende ventilatie
	Het apparaat staat in de buurt van een warmtebron.	Plaats het apparaat uit de buurt van warmtebronnen
De vijzel maakt veel geluid tijdens gebruik	De voorste afdichting (A) is niet juist gemonteerd.	Controleer nogmaals en monteer de voorste afdichting (A) juist.
	De voorste afdichting (A) is niet gesmeerd	Smeer de voorste afdichting (A).
	Te dikke consistentie	Wijzig de consistentie.
Granita heeft zwarte vlekken	De kom is vuil.	Schakel het apparaat uit & haal de stekker uit het stopcontact. Reinig de kom grondig.
	De afdichtingsring van vijzel is vuil.	Reinig de afdichtingsring nogmaals.
De afgiftekraan werkt niet goed	Kraan geblokkeerd door ijs	Schakel het apparaat uit om het ijs te laten smelten.

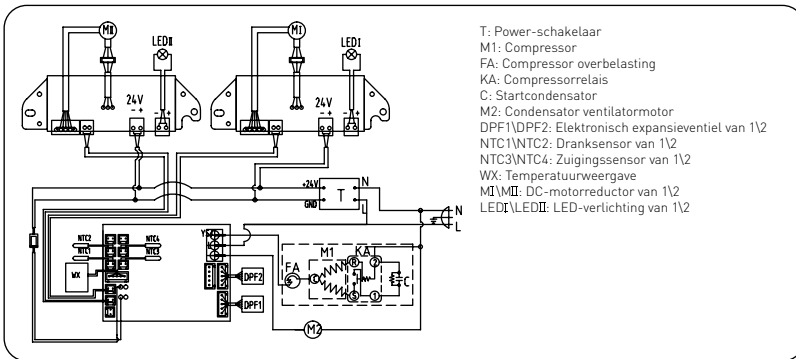
Technische specificaties

Itemnr.	274224
Afmetingen apparaat	P: 520mm x A: 810mm x L: 470mm
Gewicht (kom leeg)	50kg
Max ingangsvermogen (W)	850W
Bedrijfsspanning (V) & frequentie (Hz)	220-240V~ 50Hz
Bedrijfstemperatuur	Min. 20°C to Max. 32°C
Aantal kommen	2
Capaciteit van elke kom	12 liter + 12 liter
Geluidsniveau	< 70 dB
Beschermingsklasse	Class I
Waterbeschermingsklasse	IPX0
Gebruikt koelmiddel en hoeveelheid	R404a / 450g
Nettogewicht (met lege kom)	62kg
Klimaatklasse	N



Opmerking: Technische specificaties onderhevig aan verandering zonder kennisgeving.

Elektrisch schakelschema (Item 274224)




Instellen van apparaatparameters

WAARSCHUWING: Het wordt sterk afgeraden om de onderstaande instellingen te wijzigen, omdat het apparaat in de fabriek al optimaal wordt in-

gesteld. Pas de instellingen alleen aan indien het noodzakelijk is.

Hoe instellen

Houd  voor ongeveer 6 seconden ingedrukt. De temperatuur die wordt getoond op het display knippert.

Druk op "+" of "-" om de waarde "15" in te voeren (dit is de code voor openen van de instelmodus).

Druk daarna herhaaldelijk op  om de parameter die u wilt wijzigen te selecteren (display geeft parameter weer). Hieronder vindt u een overzicht van de parameters:

Display	Beschrijving	Instelbereik	Fabrieksinstelling
F1	Temperatuur van kom I in sapmodus	1°C ~ 7°C	2°C
F2	Temperatuur van kom II in sapmodus	1°C ~ 7°C	2°C
F3	Niet van toepassing		
C1	Beveiliging als temperatuur laag is	-3°C ~ 10°C	-5°C
C3	Beveiliging afgiftetemperatuur tijdens eerste fase	5°C ~ 10°C	10°C
C4	Beveiliging afgiftetemperatuur tijdens tweede stage	3°C ~ 8°C	5°C
A1	Temperatuur sondecompensatie voor kom I	-5°C ~ 5°C	0°C
A2	Temperatuur sondecompensatie voor kom II	-5°C ~ 5°C	0°C
A3	Niet van toepassing		
E1	Temperatuurverschil in sapmodus	1°C ~ 5°C	2°C
E2	Vertraging compressor	2 ~ 8 min	2 min

Garantie

Elk defect waardoor de werking van het apparaat nadelig wordt beïnvloed dat zich binnen één jaar na aankoop van het apparaat voordoet, wordt gratis hersteld door reparatie of vervanging, mits het apparaat conform de instructies is gebruikt en onderhouden en niet op enigerlei wijze verkeerd is behandeld of misbruikt. Dit laat onverlet uw bij wet bepaalde rechten. Als de garantie van kracht

is, vermeld dan waar en wanneer u het apparaat hebt gekocht en sluit een aankoopbewijs bij (bijv. kassabon of factuur).

Gezien ons streven naar voortdurende verdere productontwikkeling behouden wij ons het recht voor, zonder voorafgaande kennisgeving wijzigingen aan te brengen aan product, verpakking en documentatie.

Verwijdering & milieu

Bij de buitengebruikstelling van het apparaat, mag het niet met het overige huisafval worden verwijderd. In plaats daarvan is het uw verantwoordelijkheid om uw afgedankte apparatuur in te leveren bij een daartoe aangewezen inzamelpunt. Het niet opvolgen van deze regel kan worden bestraft in overeenstemming met de geldende voorschriften voor afvalverwerking. De gescheiden inzameling en recycling van uw afgedankte apparatuur ten tijde van buitengebruikstelling helpt bij de instand-

houding van natuurlijke hulpbronnen en waarborgt dat de apparatuur wordt gerecycled op een manier die de volksgezondheid en het milieu beschermt. Voor meer informatie over waar u uw afval kunt inleveren voor recycling kunt u contact opnemen met uw lokale afvalverwerkingsbedrijf. De fabrikant en importeurs nemen geen verantwoordelijkheid voor de recycling, behandeling en ecologische verwijdering, hetzij rechtstreeks of via een openbaar systeem.

Szanowny Kliencie,

Dziękujemy za zakup urządzenia firmy Arctic. Prosimy o uważne zapoznanie się z niniejszą instrukcją przed podłączeniem urządzenia, aby uniknąć uszkodzeń spowodowanych niewłaściwą obsługą. Należy zwrócić szczególną uwagę na zasady bezpieczeństwa.

Zasady bezpieczeństwa



- Nieprawidłowa obsługa i niewłaściwe użytkowanie mogą spowodować poważne uszkodzenie urządzenia lub zranienie osób.
- Niniejsze urządzenie przeznaczone jest wyłącznie do użytku komercyjnego i nie może być stosowane do użytku domowego.
- Urządzenie należy stosować wyłącznie zgodnie z przeznaczeniem. Producent nie ponosi żadnej odpowiedzialności za szkody spowodowane nieprawidłową obsługą i niewłaściwym użytkowaniem urządzenia.
- W czasie użytkowania zabezpiecz urządzenie i wtyczkę kabla zasilającego przed kontaktem z wodą lub innymi płynami. W mało prawdopodobnym przypadku zanurzenia urządzenia w wodzie, należy natychmiast wyciągnąć wtyczkę z kontaktu, a następnie zlecić kontrolę urządzenia specjalistom. Nieprzestrzeganie tej instrukcji może spowodować zagrożenie życia.
- Nigdy nie otwieraj samodzielnie obudowy urządzenia.
- Nie wtykaj żadnych przedmiotów w obudowę urządzenia.
- Nie dotykaj wtyczki kabla zasilającego wilgotnymi rękami.
- **Niebezpieczeństwo porażenia prądem!** Nie należy samodzielnie naprawiać urządzenia. Wszelkie usterki i niesprawności winny być usuwane wyłącznie przez wykwalifikowany personel.
- **Nigdy nie używać uszkodzonego urządzenia!** Uszkodzone urządzenie należy odłączyć od sieci i skontaktować się ze sprzedawcą.
- **Ostrzeżenie:** Nie zanurzać części elektrycznych urządzenia w wodzie ani w innych płynach. Nie wkładać urządzenia pod bieżącą wodę.
- Regularnie sprawdzać wtyczkę i sznur zasilający pod kątem uszkodzeń. Uszkodzoną wtyczkę lub sznur przekazać w celu naprawy do punktu serwisowego lub innej wykwalifikowanej osoby, aby zapobiec ewentualnym zagrożeniom i obrażeniom ciała.
- Upewnić się, czy sznur zasilający nie styka się z ostrymi ani gorącymi przedmiotami; trzymać sznur z dala od otwartego płomienia. Aby wyjąć wtyczkę z gniazdka, zawsze ciągnąć za wtyczkę, a nie za sznur.
- Zabezpieczyć sznur zasilający (lub przedłużający) przez przypadkowym wyciągnięciem z kontaktu. Sznur prowadzić w sposób uniemożliwiający przypadkowe potknięcie.
- Stale nadzorować urządzenie podczas użytkowania.
- **Ostrzeżenie!** Jeżeli wtyczka jest włożona do gniazdka, urządzenie należy uważać za podłączone do zasilania.
- Przed wyjęciem wtyczki z gniazdka wyłączyć urządzenie!
- Nigdy nie przenosić urządzenia, trzymając za sznur.

PL

- Nie używać żadnych akcesoriów, które nie zostały dostarczone wraz z urządzeniem.
- Urządzenie należy podłączać wyłącznie do gniazdka o napięciu i częstotliwości podanych na tabliczce znamionowej.
- Włożyć wtyczkę do gniazdka zlokalizowanego w dogodnym łatwo dostępnym miejscu, tak by w przypadku awarii istniała możliwość natychmiastowego odłączenia urządzenia. W celu całkowitego wyłączenia urządzenia odłączyć je od źródła zasilania. W tym celu wyjąć z gniazdka wtyczkę znajdującą się na końcu sznura odłączanego urządzenia.
- Przed odłączeniem wtyczki zawsze pamiętać o wyłączeniu urządzenia!
- Nie korzystać z akcesoriów niezalecanych przez producenta. Zastosowanie niezalecanych akcesoriów może stwarzać zagrożenie dla użytkownika oraz prowadzić do uszkodzenia urządzenia. Korzystać wyłącznie z oryginalnych części i akcesoriów.
- Z urządzenia nie mogą korzystać osoby (także dzieci), u których stwierdzono osłabione zdolności fizyczne, sensoryczne lub umysłowe, albo którym brakuje odpowiedniej wiedzy i doświadczenia.
- W żadnym wypadku nie zezwalać na obsługę urządzenia przez dzieci.
- Urządzenie wraz ze sznurem przechowywać poza zasięgiem dzieci.
- Nie dopuścić, by dzieci wykorzystywały urządzenie do zabawy.
- Zawsze odłączyć urządzenie od zasilania, jeżeli ma być ono pozostawione bez nadzoru, a także przed montażem, demontażem i czyszczeniem.
- Nie zostawiać urządzenia bez nadzoru podczas użytkowania.

PL

Szczegółne przepisy bezpieczeństwa

- Urządzenie powinno być obsługiwane i konserwowane przez wykwalifikowany personel kuchenny lub osoby obsługujące bar bądź punkty gastronomiczne.
- **Uwaga! Niebezpieczeństwo powstania ognia!** W urządzeniu wykorzystywany jest czynnik chłodniczy R404a. Użycie jakiegokolwiek innego czynnika chłodniczego może narazić użytkowników oraz osoby obsługujące urządzenie na niebezpieczeństwo oraz prowadzić do powstania pożaru.
-  **OSTRZEŻENIE:** Wyłącz urządzenie przed zdjęciem obudowy / pokrywy zbiornika i przeprowadzeniem jakichkolwiek czynności w jego wnętrzu ze względu na zagrożenie wciągnięcia przez części ruchome.
-  **OSTRZEŻENIE:** Płyn chłodniczy może wywołać poważne obrażenia w kontakcie ze skórą. Chronić oczy i skórę przed bezpośrednim kontaktem z płynem chłodniczym. Jeśli wystąpi oparzenie, natychmiast przemyj podrażnione miejsce zimną wodą. W przypadku poważnych oparzeń, przyłóż lód do podrażnionego miejsca i natychmiast zasięgnij porady lekarza.
- **OSTRZEŻENIE:** Nie zastanaj otworów wentylacyjnych obudowy urządzenia. W przypadku zabudowania urządzenia upewnij się, czy ma ono zapewnioną właściwą wentylację. Nigdy nie blokuj przepływu powietrza wokół urządzenia - w przeciwnym razie może dojść do jego przegrzania.
- Przechowuj z dala od gorących powierzchni i otwartego ognia. Upewnij się, czy urządzenie nie jest narażone na działanie wysokich temperatur, pyłu, promieni słonecznych, wilgoci,

kapiącej wody i rozbryzgów.

- Nie uderzaj twardymi narzędziami w szklane elementy urządzenia. Nie czyść urządzenia za pomocą bezpośredniego strumienia wody lub myjki parowej, ani nie płucz przy użyciu wody - istnieje ryzyko porażenia prądem.
- Nie kładź żadnych przedmiotów na urządzeniu. W pobliżu urządzenia nie umieszczaj żadnych źródeł otwartego ognia (np. zapalonych świec). W pobliżu urządzenia nie umieszczaj żadnych przedmiotów napętnionych wodą (np. wazonów).
- Nie przykrywaj urządzenia w trakcie eksploatacji. Stwarza to niebezpieczeństwo pożaru.
- Nie wywiercaj żadnych dodatkowych otworów w urządzeniu. Nie montuj żadnych dodatkowych akcesoriów na urządzeniu.
- Nie próbuj wchodzić na urządzenie.

Montaż urządzenia

- Obsługa oraz montaż urządzenia powinny być wykonywane wyłącznie przez wykwalifikowany personel, który zobowiązany jest do przeprowadzenia powyższych czynności za pomocą przeznaczonych do tego celu narzędzi oraz ściśle stosując się do obowiązujących przepisów.
- Urządzenie należy montować w pomieszczeniu zamkniętym, dobrze wentylowanym oraz umieścić na równej, płaskiej, suchej, stabilnej i wytrzymałej powierzchni.
- Urządzenie powinno zostać zamontowane w miejscu, w którym możliwe będzie nadzorowanie jego pracy przez wykwalifikowany personel.
- Urządzenie montować w miejscu, w którym temperatura otoczenia wynosi od 20°C do 32°C.
- Podczas montażu pozostaw co najmniej 25 cm przestrzeni z tyłu oraz po obu stronach urządzenia w celu zapewnienia właściwej wentylacji. Zaleca się montaż urządzenia w miejscu o dobrej wentylacji naturalnej, dzięki czemu urządzenie będzie odpowiednio wentylowane.
- Aby wyszkolony personel mógł pracować z urządzeniem swobodnie i bez trudności, wokół urzą-

żenia musi być zapewniona odpowiednia ilość miejsca. Ponadto przestrzeń wokół urządzenia umożliwi personelowi szybkie opuszczenie pomieszczenia w nagłej sytuacji awaryjnej.

- Urządzenie nie może zostać umieszczone z miejscem, w którym istnieje ryzyko polania strumieniem wody.
- **TRZEŻENIE:** Gniazdko elektryczne musi znajdować się w miejscu łatwo dostępnym dla użytkownika. Dzięki temu, użytkownik będzie mógł w razie potrzeby bezproblemowo odłączyć urządzenie od źródła zasilania.
- Po wyczyszczeniu i sanityzacji urządzenia, nasmaruj wszystkie części wskazane w niniejszej instrukcji smarem dostarczonym wraz z urządzeniem .
- W przypadku uszkodzenia kabla zasilającego wymiany powinien dokonać producent / wykwalifikowany technik.
- Nie używaj przedłużaczy, nie wymieniaj oryginalnej wtyczki urządzenia ani nie wykorzystuj zewnętrznych adapterów lub rozgałęźników.

Elementy elektryczne i inne zagrożenia

- Żaden inny sprzęt nie powinien być podłączony do tego samego źródła zasilania, do którego podłączone jest urządzenie.
- Po wyłączeniu lub odłączeniu urządzenia ze źródła zasilania, zaczekaj ok. 5 minut przed jego ponownym uruchomieniem.

PRZEZNACZENIE

- Urządzenie przeznaczone jest do zastosowania profesjonalnego i powinno być obsługiwane wyłącznie przez wykwalifikowany personel.
- Niniejsza maszyna jest przeznaczona tylko do wydawania zimnych napojów.

Montaż uziemienia

Dyspenser jest urządzeniem I klasy ochronności i wymaga uziemienia. Uziemienie zmniejsza ryzyko porażenia prądem, dzięki zastosowaniu przewodu odprowadzającego prąd elektryczny. Urządzenie

- Nie zanurzaj urządzenia w wodzie. Mycie urządzenia może spowodować przedostanie się wody do części elektrycznych i doprowadzić do porażenia prądem. Żadna część/akcesoria urządzenia nie nadają się do mycia w zmywarce.

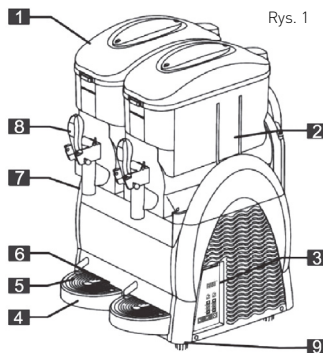
- Wykorzystanie urządzenia w jakimkolwiek innym celu uznane będzie za wykorzystanie niezgodne z przeznaczeniem. Użytkownik będzie wyłącznie odpowiedzialny za nieprawidłowe wykorzystanie urządzenia.

wyposażone jest w przewód z uziemieniem z wtykiem uziemiającym. Nie wkładaj wtyczki do kontaktu, jeśli urządzenie nie zostało odpowiednio zainstalowane i uziemione.

Główne części urządzenia

Części urządzenia:


1. Pokrywa zbiornika
2. Zbiornik
3. Panel sterowania
4. Demontowalna tacka ociekowa
5. Kratka
6. Wskaźnik poziomu zapętnienia tacki ociekowej
7. Kraniki dyspensera
8. Uchwyty
9. Nóżki





Części zamienne


- (A). Zakrętka uszczelki ślimaka x 1
- (B). Pierścień uszczelniający zbiornika x 1
- (C). Pierścień uszczelniający kranik dyspensera x 10
- (D). Biała podkładka watu ślimaka x 2
- (E). Czarna podkładka watu ślimaka x 2
- (F). Tubka smaru x 1


Panel sterowania


 Przetątnik zasilania

 Przcisk wyboru zbiornik

 Lampka kontrolna zbiornika
Wyświetlacz temperatury

 Przcisk zwiększenia zmrzenia + /
temperatury

 Wyświetlacz zmrzenia/ temperatury


 Przcisk zmniejszenia zmrzenia + /
temperatury

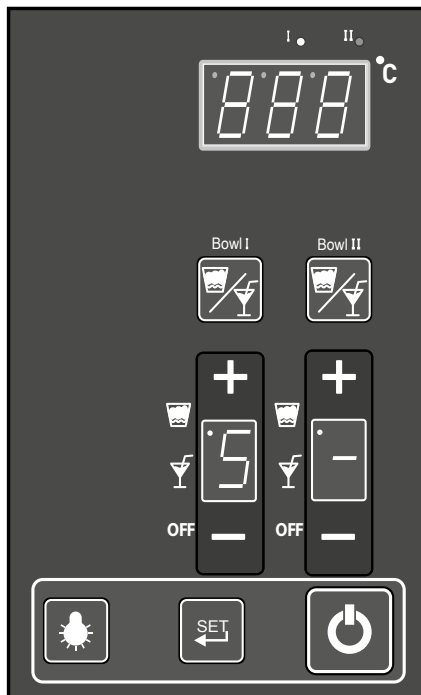
 Lampka kontrolna trybu „Granita”

 Lampka kontrolna trybu „Sok”

OFF Lampka kontrolna trybu wyłączenia (OFF)

 Przcisk podświetlenia

 Przcisk ustawienia parametrów (Patrz strona
18 w celu zapoznania się z instrukcjami
ustawiania parametrów)



Przed pierwszym użyciem

- Zdejmij i usuń opakowanie i zabezpieczenia.
- Sprawdź urządzenie i akcesoria pod kątem kompletności (smar, myjka, nakrętka)
- W przypadku niepełnej dostawy lub szkoderń skontaktuj się z dostawcą [patrz: Gwarancja].
- Wykwalifikowany personel powinien sprawdzić, czy urządzenie działa poprawnie.

- Wyczyść wszystkie części urządzenia zgodnie z instrukcją (Patrz: Czyszczenie i konserwacja).

Uwaga: Ze względu na pozostałości z procesu produkcyjnego, podczas kilku pierwszych uruchomień z urządzenia może wydobywać się nieprzyjemny zapach. Jest to zjawisko normalne i nie świadczy o uszkodzeniu urządzenia ani zagrożeniu dla użytkownika. Sprawdź, czy urządzenie jest dobrze wentylowane.

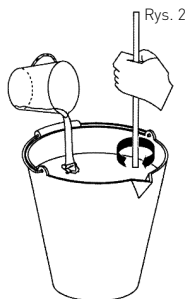
Użytkowanie

a) Przygotowanie mieszanki:

- W odpowiednim zbiorniku rozpuść KONCENTRAT w WODZIE i wymieszaj, zgodnie z zaleceniami producenta.

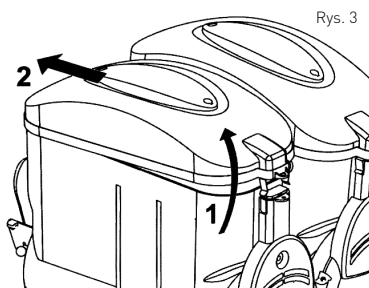
UZYSKANA MIESZANINA MUSI MIEĆ MIN. 13° BRIX. Mieszanka o mniejszej zawartości cukru może prowadzić do uszkodzenia ślimaka i/lub motoreduktorów.

- **OSTRZEŻENIE:** Temperatura mieszanki nie może przekroczyć 25 °C.
- **OSTRZEŻENIE:** Nigdy nie używaj urządzenia, jeśli zbiorniki wypełnione są wyłącznie wodą.

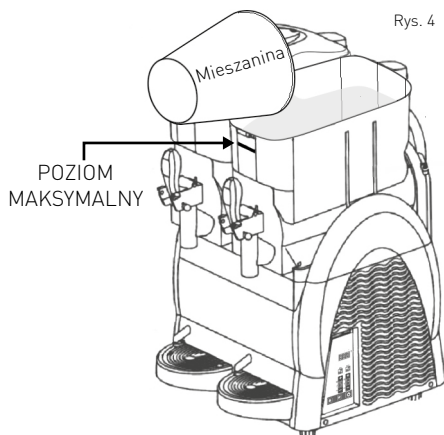


b) Wlewanie mieszanki do zbiorników urządzenia:

- **OSTRZEŻENIE:** Mieszanka powinna być wlewana do zbiornika (2) jedynie wtedy, gdy urządzenie jest WYŁĄCZONE i odłączone od źródła zasilania.
- Aby zdjąć pokrywę (1) ze zbiornika (2), postępuj zgodnie z instrukcjami (Patrz: Rys. 3):
 - 1) Unieś tylną część pokrywy;
 - 2) Zdejmij pokrywę (2) z zaczepu znajdującego się z przodu zbiornika.




- Ostrożnie wlej mieszankę do zbiornika (2), uważając, by poziom cieczy w pojemniku nie przekroczył „POZIOMU MAKSYMALNEGO”. (Patrz: Rys. 4). (Aby uniknąć zagrożenia, nigdy nie wlewaj do zbiornika gorących cieczy.)

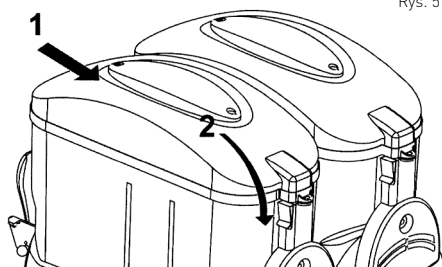


- Po wleaniu/uzupełnieniu mieszanki w zbiorniku (2) umieść pokrywę (1) z powrotem na zbiorniku (2). Patrz: Rys. 5.

OSTRZEŻENIA:

1. Nigdy nie uruchamiaj urządzenia, jeśli pokrywa nie znajduje się na zbiorniku. Przed zdjęciem pokrywy, wyłącz urządzenie i odłącz je od źródła zasilania.





2.  Wewnątrz zbiornika znajdują się części ruchome, które mogą doprowadzić do powstania obrażeń - przed przystąpieniem do jakichkolwiek czynności dotyczących zbiornika, wyłącz urządzenie i odłącz je od źródła zasilania.

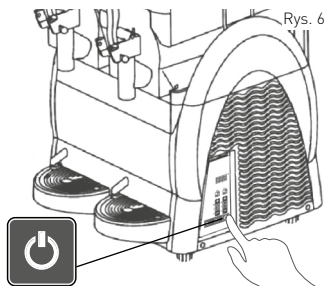


Rys. 5



c) Uruchomienie urządzenia:

Każdy zbiornik kontrolowany jest indywidualnie.




- Najpierw podłącz wtyczkę do odpowiedniego gniazdka elektrycznego.
- Następnie wciśnij , by włączyć urządzenie. Naciśnij i przytrzymaj  przez trzy sekundy, by przejść do trybu CZUWANIA (STANDBY), gdy urządzenie jest aktualnie używane. Patrz: Rys. 6.
- Następnie wciśnij przycisk odpowiadający danemu zbiornikowi ( lub ). Naciśnij ponownie przycisk, by wybrać tryb pracy. Istnieją trzy tryby pracy urządzenia.

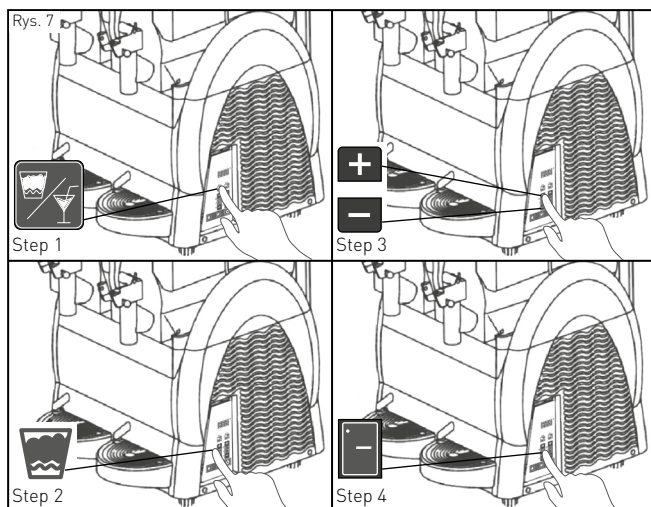


Rys. 6




[„Granita” , „Sok”  lub WYŁĄCZONY **OFF**]. Po kolei zapalać się będzie lampka kontrolna danego trybu.

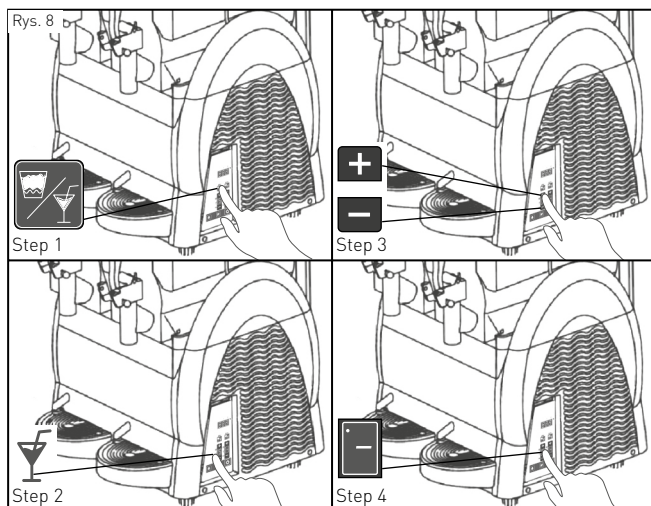
I). Praca w trybie „Granita”

- Wciśnij przycisk odpowiadający danemu zbiornikowi ( lub ).
- Następnie wciśnij kilkakrotnie, by wybrać tryb „Granita”; zapali się lampka  .
- Następnie wciśnij „+” lub „-” kilkakrotnie, by ustawić poziom zmrożenia: Poziom 1 oznacza lekko zmrożony deser z dużą ilością wody, poziom 7 - mocno zmrożony deser z małą ilością wody. Patrz: Rys. 7.





II). Praca w trybie „Sok”



- Wciśnij przycisk odpowiadający danemu zbiornikowi ( lub ).
- Następnie wciśnij kilkakrotnie, by wybrać tryb „Sok”; zapali się lampka  .
- Następnie wciśnij „+” lub „-” kilkakrotnie, by ustawić pożądaną temperaturę (od 1°C do 7°C).



III). Zatrzymanie pracy urządzenia

- Wciśnij przycisk odpowiadający danemu zbiornikowi ( lub ).

d) Aby wyczyścić dany zbiornik:

- Wciśnij i przytrzymaj przycisk odpowiadający danemu zbiornikowi ( lub ) przez 6 sekund.
- Zawór danego zbiornika zostanie otwarty w celu czyszczenia na ok. 3 minuty. W tym trybie panel sterowania wyświetli „°C”.

Uwaga: W tym trybie zawór elektromagnetyczny danego zbiornika pozostanie otwarty; gaz chłodniczy

e) Dozowanie granity

- W celu nalania produktu, pociągnij za dźwignię kranika.

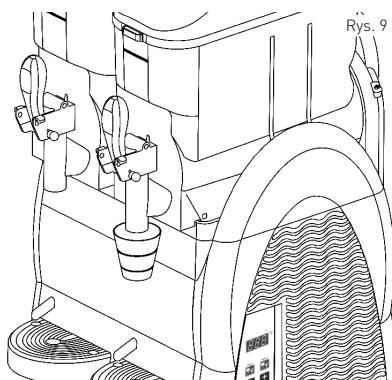
Uwaga:

- Regularnie sprawdzaj temperaturę napoju znajdującego się w zbiorniku (2). Jeśli w zbiorniku znajduje się mieszanina, nie wyłączaj urządzenia.
- Jeśli nastąpiła przerwa w użytkowaniu urządzenia, konieczne będzie usunięcie pewnej ilości produktu z kranika przed przygotowaniem deseru dla klienta.

- Następnie wciśnij kilkakrotnie do momentu zapalenia się lampki **OFF**. Urządzenie zatrzyma mieszanie i zmrażanie.

czy nie wydostanie się na zewnątrz. Ślimak nadal będzie się obracał w celu czyszczenia. Uzupełnij zbiornik czystą, ciepłą wodą, nie przekraczając określonego „POZIOMU MAKSYMALNEGO”. Nie wkładaj rąk do zbiornika.

W celu dokładnego czyszczenia lub sanityzacji urządzenia, wyłącz je i odcłącz od źródła zasilania.



Czyszczenie i konserwacja

Uwaga:

- Przed czyszczeniem i konserwacją urządzenia pamiętaj o wciśnięciu wyłącznika znajdującego się na panelu sterowania (3) i odcłączeniu urządzenia od źródła zasilania. Czyszczenie i konserwacja urządzenia powinna zostać przeprowadzona przez wykwalifikowany personel.

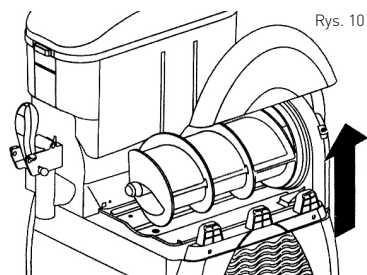
Czyszczenie :

- Powierzchnie wewnętrzne i zewnętrzne urządzenia można czyścić przy pomocy wilgotnej ściereczki z niewielką ilością detergentu.
- Do czyszczenia urządzenia nie używaj bezpośredniego strumienia wody, myjki parowej, ani nie zanurzaj całego urządzenia w wodzie.
- Części urządzenia nie mogą być czyszczone w zmywarce.
- Części urządzenia nie mogą być suszone w kuchenke mikrofalowej.

- Przed rozpoczęciem czyszczenia lub konserwacji urządzenia załóż odzież ochronną, np. rękawice, okulary ochronne itp.

- Do czyszczenia nie stosuj ściernych gąbek i/lub druciaków.
- Zbiornik powinien być czyszczony i poddany sanityzacji co najmniej raz dziennie.
- Czyszczenie i sanityzacja muszą zostać przeprowadzone z należytą ostrożnością i w regularnych odstępach czasu w celu zagwarantowania wysokiej jakości napojów nalewanych za pomocą dyspensera oraz ze względów higienicznych.

- **Ostrzeżenie:** Nie podłączaj urządzenia do źródła zasilania ani nie uruchamiaj go podczas przeprowadzania czyszczenia i konserwacji.
- Unieś górną część ostony i zdejmij ją na czas czyszczenia i konserwacji. Po zakończeniu czyszczenia i konserwacji, z powrotem nałóż ostonę. Patrz: Rys.10.

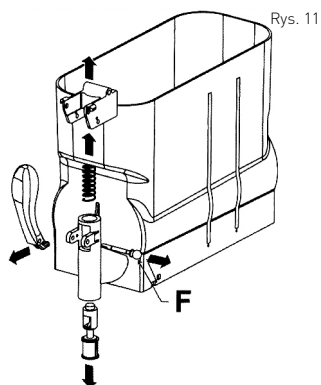


a) Opróżnianie zbiorników:

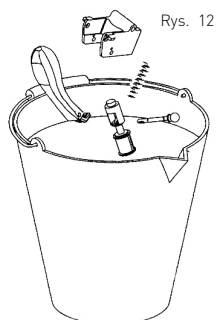
- Przed czyszczeniem zbiornik należy najpierw opróżnić ze wszystkich pozostałości mieszaniny.

b) Demontaż kranika dyspensera:

- Upewnij się, czy w zbiorniku nie znajdują się żadne pozostałości napoju.
- Przed wyjęciem zbiornika, wymontuj kranik.
- Wyjmij sworzeń (F), aby wymontować pozostałe części.



- Do czyszczenia części urządzenia użyj czystej, ciepłej wody.

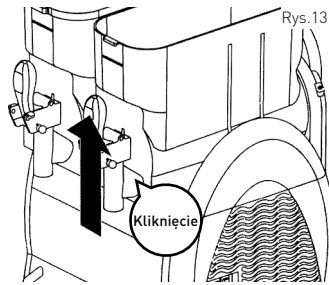


c) Zdjęcie zbiornika i pokrywy:

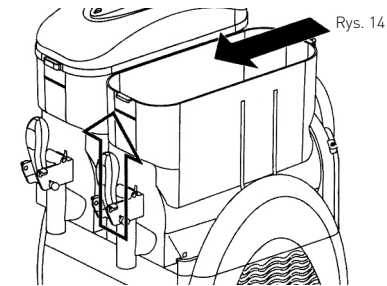
- Aby zdjąć pokrywę (1) z pojemnika (2), postępuj zgodnie z poniższą instrukcją i Rys. 2:

- 1) Unieś tylną część pokrywy;
- 2) Zdejmij pokrywę (2) z zaczepu znajdującego się z przodu zbiornika.

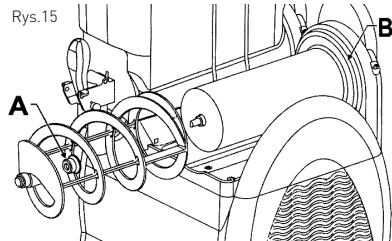
- Następnie unieś i odczep przednią część zbiornika.



- Następnie zdejmij zbiornik delikatnie popychając go z tyłu. Zbiornik można zdjąć.



- Na koniec wyjmij ślimak i zdejmij nakrętkę (A) oraz pierścień uszczelniający zbiornika (B). Wymień części (A) i (B), jeśli są zużyte; wymiana obowiązkowa co 12 miesięcy.



d) Mycie i sanityzacja części urządzenia:

Uwaga: Wszystkie wymienione wyżej wymontowane części urządzenia muszą zostać dokładnie umyte i poddane sanityzacji. Zaleca się codzienne mycie i sanityzację urządzenia w celu zachowania wysokiej jakości deserów i napojów.

Aby prawidłowo przeprowadzić czyszczenie i sanityzację, postępuj zgodnie z następującymi wskazówkami:

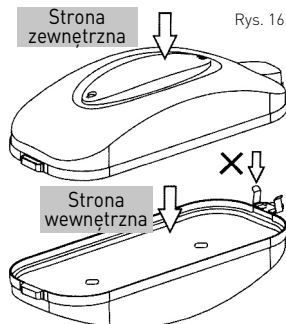
- Wypełnij pojemnik gorącą wodą (50-60°C) z dodatkiem detergentu
- Dokładnie umyj wymontowane części roztworem wody i detergentu.
- Oplucz gorącą wodą.
- Zanurz wymontowane części w roztworze i pozostaw na ok. 30 minut.
- Następnie umyj części ponownie czystą wodą.

- Umieść wszystkie części na suchej, czystej powierzchni i pozostaw do wyschnięcia.
- Ponownie złoź urządzenie zgodnie z instrukcją podaną w punkcie e).
- Przed ponownym użyciu dyspensera, przeprowadź cykl płukania przy użyciu czystej wody. (Patrz punkt f)).

Ostrzeżenie: Nie zanurzaj pokryw zbiorników z żarówką w żadnej cieczy. Przed czyszczeniem upewnij się, czy żarówki zostały odkręcone zgodnie z poniższą instrukcją (patrz Rys. 27):

Pokrywę zbiornika z żarówką należy czyścić zgodnie z poniższą instrukcją:

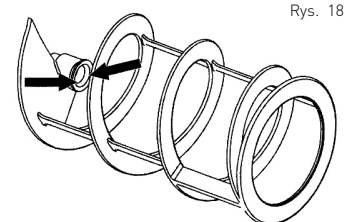
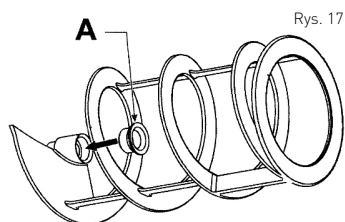
1. Za pomocą czystej, wilgotnej ściereczki wyczyść wewnętrzną część pokrywy zbiornika oraz powierzchnię zewnętrzną.
2. Za pomocą gąbki zanurzonej w roztworze czyszczącym przeprowadź sanitację wewnętrzną części pokrywy, uważając, by nie dotykać zawiasów (X) przez około 10 minut.
3. Przemyj dwa lub kilka razy za pomocą czystej gąbki zamoczonej w świeżej, ciepłej wodzie.
4. Wyszusz za pomocą czystej, suchej ściereczki.
5. Natóż z powrotem pokrywę na umyty i poddany sanitacji zbiornik.



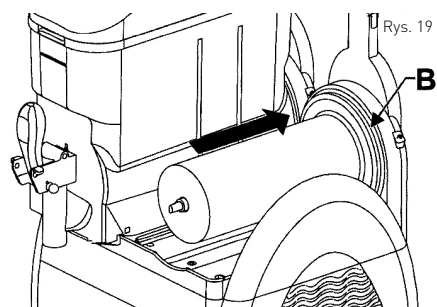
e) Ponowny montaż umytych części

Uwaga: Wszystkie umyte części urządzenia muszą zostać zamontowane ponownie z zachowaniem odpowiedniej ostrożności. Niektóre części muszą zostać odpowiednio nasmarowane za pomocą dotychczasowego do urządzenia smaru w celu zapewnienia ich prawidłowej pracy.

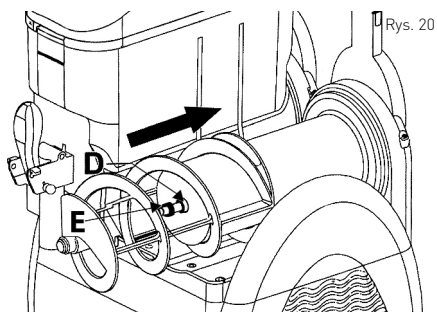
- Zawsze sprawdź stan uszczelki (A) - jeśli jest zużyta, wymień ją na nową (uszczelki są dotychczasowe do urządzenia).
- Nakrętkę ślimaka (A) wymieniaj co najmniej co 12 miesięcy.
- Natóż nakrętkę ślimaka (A) zgodnie z instrukcją (Patrz: Rys. 17).
- Nasmaruj wewnętrzną część nakrętki ślimaka (A) zgodnie z rysunkiem 18 za pomocą smaru dotychczasowego do urządzenia.



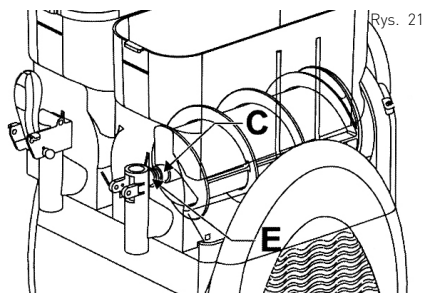
- Następnie natóż pierścieni uszczelniający zbiornika (B) i dookoła niego natóż smar zgodnie z przedstawionym rysunkiem (Patrz: Rys. 19).



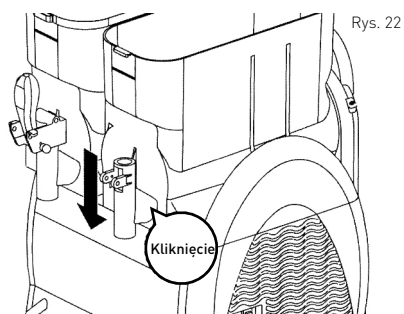
- Następnie załóż ślimak oraz białą (D) i czarną (E) podkładkę na wał. Przekręć ślimak w celu przy mocowania.



- Następnie zamontuj zbiornik we właściwym miejscu, delikatnie unieś przód ślimaka, ustawiając go w odpowiedniej pozycji (E) względem zbiornika (Patrz: Rys. 21).

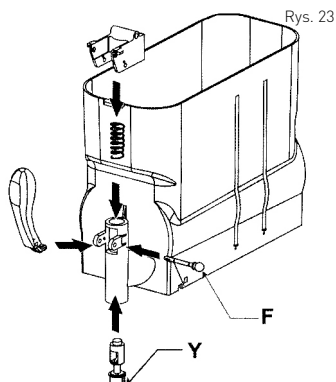


- Delikatnie dociśnij zbiornik aż ustawi się we właściwej pozycji (Patrz: Rys. 22).



Postępuj zgodnie z poniższą instrukcją, aby ponownie zamontować kranik (7):

- Za pomocą dołączonego do urządzenia smaru, odpowiednio nasmaruj kranik (Y) i zamontuj wszystkie części.
- Wsuń sworzeń (F) przytrzymując dźwignię kranika (Patrz: Rys. 23).
- Wymień pierścienie uszczelniający kranika (C), jeśli jest zużyty lub przecieka.



f) Płukanie urządzenia

Uwaga: Po czyszczeniu i przed ponownym użyciem urządzenia przeprowadź cykl płukania.

Instrukcja przeprowadzenia cyklu płukania:

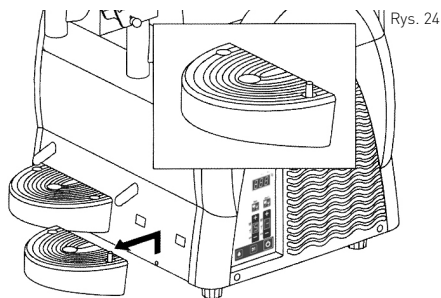
- Nalej czystą wodę do zbiornika;

- Przez co najmniej 5 minut urządzenie powinno nieprzerwanie mieszać płyn w zbiorniku.
- Wyłącz urządzenie i opróżnij zbiornik odkręcając kranik [7].

g) Czyszczenie tacki ociekowej

Uwaga: Tacka ociekowa powinna zostać opróżniona i wyczyszczona za każdym razem, gdy wysuwa się wskaźnik napętnienia. Tacka ociekowa powinna być czyszczona codziennie.

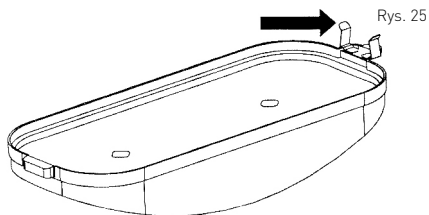
- Unieś i wyciągnij tackę ociekową wraz ze znajdującą się na niej kratką.
- Umyj oddzielnie tackę i kratkę letnią wodą.
- Dobrze wysusz obie części i umieść kratkę z powrotem na tacce ociekowej.
- Przymocuj przewód odprowadzania wody do odpowiedniego otworu.
- Wsuń tackę ociekową z powrotem do urządzenia i dociśnij, by prawidłowo zamocować.



h) Pokrywa z oświetleniem

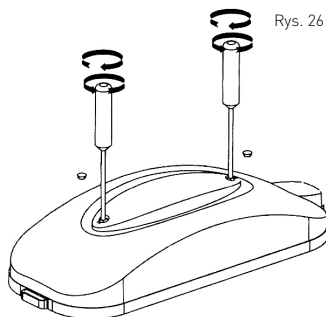
Uwaga: Podczas czyszczenia zachowaj ostrożność, aby nie zgąć, nie złamać lub nie uszkodzić „styków”. Wszelkie uszkodzenie styków może prowadzić do nieprawidłowego działania pokrywy z oświetleniem.

- Styki pokrywy z oświetleniem czyść przy pomocy wilgotnej ściereczki i należycie wysusz. Zawsze pamiętaj o wyłączeniu urządzenia.
- W celu czyszczenia, nie zanurzaj urządzenia w wodzie.

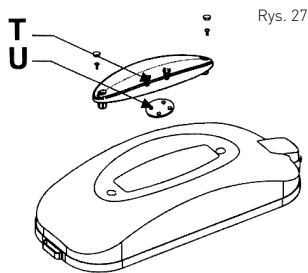


i) Wymiana żarówki

- Żarówkę można wymienić jedynie wtedy, gdy urządzenie jest wyłączone, a kabel zasilający odłączony od źródła zasilania.
- Zdejmij nakładki zabezpieczające. Następnie za pomocą odpowiedniego wkrętaka (niedotycznego do urządzenia) odkręć śruby w celu zdjęcia wieczka.

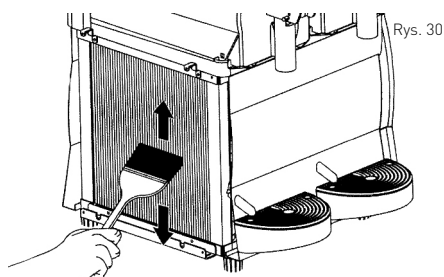
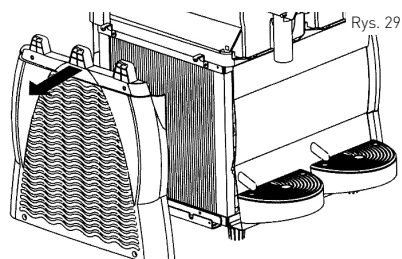
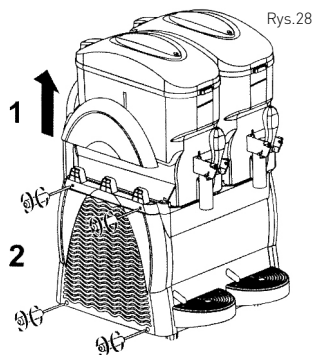


- Wyjmij żarówkę (U) z oprawy (T). Wymień żarówkę na nową (niedotyczną do urządzenia).



j) Czyszczenie skraplacza

- **Uwaga:** Czyszczenie skraplacza może zostać przeprowadzone wyłącznie przez wykwalifikowanego technika i za pomocą odpowiednich narzędzi/sprzętu.
 - Skraplacz powinien być czyszczony regularnie (co najmniej raz na 6 miesięcy), by zagwarantować odpowiednie działanie urządzenia.
 - Aby uzyskać dostęp do skraplacza, najpierw należy zdjąć panel zabezpieczający.
 - **Ostrzeżenie:** Zdjęcie panelu zabezpieczającego odłoni ostre elementy urządzenia.
 - Aby usunąć panel zabezpieczający, należy postępować zgodnie z poniższą instrukcją:
- 1) Unieś i zdejmij górną część panelu zabezpieczającego;
 - 2) Odkręć 4 śruby mocujące panel zabezpieczający.
 - 3) Po wykręceniu 4 śrub, zdejmij panel zabezpieczający. (Patrz: Rys.29)
 - 4) Za pomocą suchego pędzla (niedotącozonego do urządzenia) usuń nagromadzony pył. (Patrz: Rys. 30)
 - 5) Po dokładnym wyczyszczeniu skraplacza ponownie zamontuj panel zabezpieczający.



k) Konserwacja okresowa

Urządzenie musi być poddawane okresowej konserwacji (co najmniej co 6 miesięcy) przeprowadzanej przez wykwalifikowanego technika. Okresowa konserwacja urządzenia ma na celu zapewnienie, że urządzenie oraz wszystkie jego części są całkowicie bezpieczne.

Jeśli części urządzenia są zużyte, należy je wymienić na oryginalne części zamienne. Nie należy korzystać z urządzenia, jeśli chociaż jedna jego część jest wadliwa lub zużyta. Okresowa konserwacja nie może zostać przeprowadzona przez użytkownika.

Wyszukiwanie i usuwanie usterek

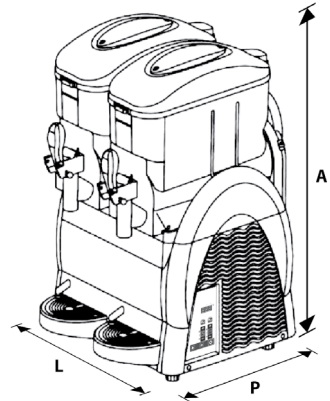
Jeśli urządzenie nie działa prawidłowo, zapoznaj się z poniższą tabelą w celu znalezienia prawidłowego rozwiązania.

Jeśli nie możesz rozwiązać problemu, skontaktuj się z dostawcą.

Problem	Możliwa przyczyna	Możliwe rozwiązanie
Het apparaat werkt niet nadat de stekker in het stopcontact is gestoken	Kabel zasilający i wtyczka nie są prawidłowo podłączone do gniazdka elektrycznego.	Sprawdź ponownie podłączenie. Upewnij się, czy wszystkie elementy są prawidłowo podłączone.
Kranik dyspensera przecieka.	Kranik nie został prawidłowo zamontowany.	Wymontuj kranik i sprawdź, czy został prawidłowo zamocowany.
	Tłok kranika nie jest nasmarowany.	Nasmaruj tłok kranika.
	Tłok kranika jest uszkodzony.	Skontaktuj się z dostawcą.
Mieszanka wycieka z tyłu zbiornika.	Zbiornik nie został prawidłowo zamontowany.	Sprawdź, czy zbiornik jest prawidłowo zamontowany i w razie konieczności, zamontuj ponownie.
	Pierścień uszczelniający zbiornika nie jest nasmarowany.	Nasmaruj pierścień uszczelniający zbiornika.
	Pierścień uszczelniający zbiornika jest uszkodzony.	Wymień pierścień uszczelniający zbiornika.
Ślimak nie obraca się.	Ślimak został zablokowany przez lód w zbiorniku.	Zaczekaj, aż lód się roztopi.
Urządzenie nie wytwarza granity.	Nie ustawiono trybu „Granita”.	Wybierz tryb „Granita”.
	Skraplacz jest brudny.	Regularnie czyść skraplacz.
	Niewystarczająca wentylacja.	Zapewnij odpowiednią wentylację.
	Urządzenie ustawione jest zbyt blisko źródła ciepła.	Ustaw urządzenie z dala od źródła ciepła.
Pracujący ślimak generuje hałas.	Przednia uszczelka (A) jest niewłaściwie natożona.	Sprawdź położenie uszczelki (A) i natóż ją prawidłowo.
	Przednia uszczelka (A) nie jest nasmarowana.	Nasmaruj przednią uszczelkę (A).
	Mieszanka jest zbyt gęsta.	Zmień gęstość.
Granita ma ciemne plamy.	Zbiornik jest brudny.	Wytłóż urządzenie i odłącz wtyczkę z gniazdka. Dokładnie umyj zbiornik.
	Pierścień uszczelniający ślimaka jest brudny.	Ponownie wyczyść pierścień uszczelniający.
Kranik dyspensera nie dozuje prawidłowych ilości.	Kranik został zablokowany przez lód.	Wytłóż urządzenie i zaczekaj aż lód się rozpuści.

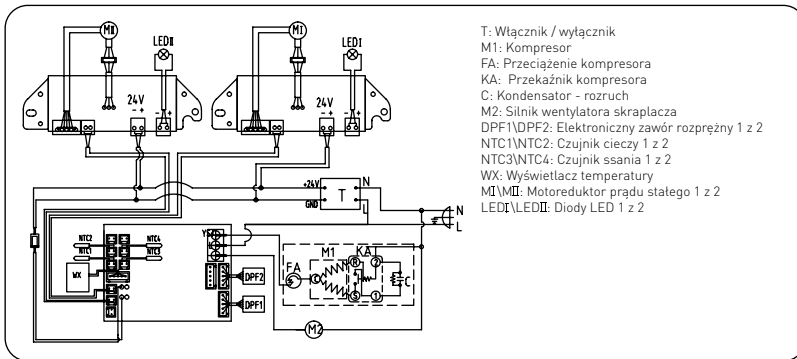
Specyfikacja techniczna

Nr produktu	274224
Wymiary urządzenia	P: 520mm x A: 810mm x L: 470mm
Waga (pusty zbiornik)	50kg
Maksymalny pobór mocy elektrycznej [W]	850W
Napięcie robocze [V] & częstotliwość [Hz]	220-240V- 50Hz
Temperatura podczas pracy	Min. 20°C do maks. 32°C
Liczba zbiorników	2
Pojemność każdego zbiornika	12 litrów + 12 litrów
Poziom hałasu	< 70 dB
Stopień ochrony	Klasa I
Współczynnik szczelności:	IPX0
Czynnik chłodniczy / ilość	R404a / 450g
Waga netto (pusty zbiornik)	62kg
Klasa klimatyczna	N



Uwagi: Specyfikacja techniczna może ulec zmianie bez uprzedzenia.

Schemat elektryczny (produkt nr 274224)




Ustawianie parametrów urządzenia


OSTRZEŻENIE: Nie zaleca się zmieniać poniższych ustawień, ponieważ istniejące ustawienia fabryczne

są optymalne. Istniejące ustawienia zmieniaj jedynie wtedy, gdy jest to konieczne.

Zmiana ustawień

Wciśnij i przytrzymaj  przez ok. 6 sekund. Temperatura na wyświetlaczu zacznie migać.

Wciśnij „+” lub „-”, aby ustawić wartość „15” (jest to kod dostępu do trybu ustawień).

Następnie wciśnij  kilkakrotnie, aby wybrać parametr, który chcesz zmienić (kolejne parametry pojawiają się na wyświetlaczu). Parametry do wyboru:

Wyświetlacz	Opis	Zakres	Ustawienie fabryczne
F1	Temperatura w Zbiorniku I z trybie „Sok”	1°C ~ 7°C	2°C
F2	Temperatura w Zbiorniku II z trybie „Sok”	1°C ~ 7°C	2°C
F3	Nie dotyczy		
C1	Zabezpieczenie przed zbyt niską temperaturą	-3°C ~ 10°C	-5°C
C3	Zabezpieczenie - temperatura cieczy na wyjściu w pierwszej fazie	5°C ~ 10°C	10°C
C4	Zabezpieczenie - temperatura cieczy na wyjściu w drugiej fazie	3°C ~ 8°C	5°C
A1	Temperatura wyrównawcza sondy dla zbiornika I	-5°C ~ 5°C	0°C
A2	Temperatura wyrównawcza sondy dla zbiornika II	-5°C ~ 5°C	0°C
A3	Nie dotyczy		
E1	Różnica temperatur w trybie „Sok”	1°C ~ 5°C	2°C
E2	Opóźnienie czasowe kompresora	2 ~ 8 min	2 min

Gwarancja

Każda usterka powodująca złe funkcjonowanie urządzenia, która ujawni się w ciągu jednego roku od zakupu, zostanie bezpłatnie usunięta lub urządzenie zostanie wymienione na inne, pod warunkiem, że było użytkowane i konserwowane zgodnie z instrukcją obsługi i nie było wykorzystywane do innych celów lub w jakikolwiek inny niewłaściwy sposób. Nie narusza to innych praw użytkownika, wynikających z przepisów prawa. W przypadku ko-

rzystania z gwarancji, należy podać miejsce i czas zakupu urządzenia, dotychczas do niego dowód zakupu (np. paragon).

Zgodnie z naszą polityką ciągłego udoskonalania produktów zastrzegamy sobie prawo do wprowadzania zmian w produkcie, opakowaniu oraz specyfikacjach zawartych w dokumentacji bez uprzedniego powiadomienia.

Wycofanie z użytkowania i ochrona środowiska

Pamiętaj!

Nie wyrzucaj zużytego sprzętu łącznie z innymi odpadami

Nie demontuj zużytych urządzeń zawierających niebezpieczne składniki na własną rękę!

Grożą Ci za to kary grzywny!

Po zakończeniu eksploatacji produktu nie wolno gromadzić razem z odpadami komunalnymi, tylko należy odstawić do punktu odbioru odpadów elektrycznych i elektronicznych. Użytkownik ponosi odpowiedzialność za przekazanie wycofanego z użytkowania urządzenia do punktu gospodarowania odpadami. Nieprzestrzeganie tej zasady może być karane zgodnie z lokalnie obowiązującymi przepisami dotyczącymi gospodarowania odpadami. Jeśli urządzenie wycofane z użytkowania jest poprawnie odebrane jako osobny odpad, może zostać przetworzone i zutylicowane w sposób przyjazny dla środowiska, co zmniejsza negatywny wpływ na środowisko i zdrowie ludzi. Aby uzyskać więcej informacji dotyczących dostępnych usług w zakresie odbioru odpadów, należy skontaktować się z lokalną firmą odbierającą odpady.



Symbol przekreślonego kosza na śmieci oznacza, że tego produktu nie wolno wyrzucać do zwykłych pojemników na odpady.

Zużyte urządzenia elektryczne i elektroniczne mogą zawierać niebezpieczne składniki np. rtęć, ołów, kadm lub freon. Jeśli tego typu substancje przedostaną się w sposób niekontrolowany do środowiska, spowodują skażenie wody i gleby, a także wpłyną niekorzystnie na zdrowie ludzi i zwierząt.

Właściwe postępowanie ze użytym sprzętem zapobiega potencjalnym negatywnym konsekwencjom dla środowiska naturalnego i ludzkiego zdrowia.

Jednocześnie oszczędzamy naturalne zasoby naszej Ziemi wykorzystując powtórnie surowce uzyskane z przetwarzania sprzętu.

Cher client,



Merci d'avoir acheté cet appareil de Arctic. Veuillez lire attentivement ce mode d'emploi avant de brancher l'appareil afin d'éviter tout endommagement pour cause d'usage abusif. Veuillez notamment lire les consignes de sécurité avec la plus grande attention.

Règles de sécurité

- L'utilisation abusive et le maniement incorrect de l'appareil peuvent entraîner une grave détérioration de l'appareil ou provoquer des blessures.
- Cet appareil est conçu exclusivement à des fins commerciales et non pour un usage domestique.
- L'appareil doit être utilisé uniquement pour le but il a été conçu. Le fabricant décline toute responsabilité en cas de dommage consécutif à un usage abusif ou un maniement incorrect.
- Veillez à tenir l'appareil et la prise électrique hors de portée de l'eau ou de tout autre liquide. Si malencontreusement l'appareil tombe dans l'eau, débranchez immédiatement la prise électrique et faites contrôler l'appareil par un réparateur agréé. La non-observation de cette consigne entraîne un risque d'accident mortel.
- Ne tentez jamais de démonter vous-même le bâti de l'appareil.
- N'enfoncez aucun objet dans la carcasse de l'appareil.
- Ne touchez pas la prise avec les mains mouillées ou humides.
- **Risque d'électrocution!** Ne tentez jamais de réparer l'appareil. Tous défauts et dysfonctionnement doivent être supprimés par le personnel qualifié.
- **N'utilisez jamais l'appareil endommagé!** Débranchez l'appareil endommagé de l'alimentation électrique et contactez votre revendeur.
- **Avertissement:** N'immergez pas les pièces électriques de l'appareil dans l'eau ou dans d'autres liquides. Ne mettez pas l'appareil sous l'eau courante.
- Vérifiez régulièrement la fiche et le câble d'alimentation pour les dommages. La fiche ou le câble d'alimentation endommagé(e) transmettent pour la réparation au service ou à une personne qualifiée, pour prévenir tous les menaces ou les blessures possibles.
- Assurez-vous que le câble d'alimentation n'est pas en contact avec les objets pointus ou chauds ; gardez le câble loin des flammes nues. Pour retirer la fiche de la prise murale, tirez toujours en tenant la fiche et non le câble d'alimentation.
- Protégez le câble d'alimentation (ou la rallonge) contre le débranchement accidentel de la prise murale. Le câble doit être posé de manière ne provoquant pas les chutes accidentelles.
- Surveillez en permanence l'appareil pendant l'utilisation.
- Avertissement ! Si la fiche est insérée dans la prise murale, l'appareil doit être considéré comme branché à l'alimentation.
- Avant de retirer la fiche de la prise, éteignez l'appareil !
- Ne transportez jamais l'appareil en tenant le câble.
- N'utilisez aucuns accessoires qui n'ont pas été fournis avec l'appareil.

- L'appareil doit être branché à la prise murale avec une tension et la fréquence indiquées sur la plaque signalétique.
- Insérez la fiche à la prise murale située dans un endroit facilement accessible de sorte qu'en cas de panne l'appareil puisse être immédiatement déconnecté. Pour éteindre complètement l'appareil, débranchez-le de la source d'alimentation. Pour cela, retirez la fiche à l'extrémité du câble d'alimentation de la prise murale.
- Eteignez l'appareil avant de débrancher l'appareil de la prise!
- N'utilisez jamais les accessoires non recommandés par le fabricant. L'utilisation des accessoires non recommandés peut présenter des risques pour l'utilisateur et provoquer les dommages à l'appareil. Utilisez uniquement des pièces et accessoires originaux.
- Cet appareil n'est pas apte à être utilisé par des personnes (enfants compris) avec capacités physiques, sensorielles ou intellectuelles diminuées ou ne possédant pas l'expérience et les connaissances suffisantes.
- Ne laissez jamais les enfants utiliser l'appareil.
- L'appareil et le câble d'alimentation doivent être stockés hors de la portée des enfants.
- Ne permettez pas aux enfants d'utiliser l'appareil pour jouer
- Débranchez toujours l'appareil de l'alimentation s'il doit être laissé sans surveillance et également avant le montage, le démontage et le nettoyage.
- Ne laissez jamais l'appareil sans surveillance lorsqu'il est utilisé.

Consignes de sécurité spéciales

- L'appareil doit être utilisé et entretenu par le personnel de cuisine qualifié ou par des personnes employées dans un bar ou dans le service de restauration.
- **Attention! Risque d'incendie!** Dans l'appareil est utilisé le réfrigérant R404a. L'utilisation de tout autre réfrigérant peut exposer les utilisateurs et les personnes utilisant l'appareil à un risque d'incendie.
-  **AVERTISSEMENT:** Eteignez l'appareil avant de retirer le boîtier / le couvercle du réservoir et avant d'effectuer toutes opérations à l'intérieur de l'appareil en raison de la menace de happement par des pièces en mouvement.
-  **AVERTISSEMENT:** Le liquide de refroidissement peut provoquer des dommages graves en contact avec la peau. Protégez les yeux contre le contact direct avec le liquide de refroidissement. En cas de brûlure, lavez immédiatement la partie lésée à l'eau froide. En cas de lésions graves, appliquez de la glace sur la partie irritée et consultez immédiatement le médecin.
- **AVERTISSEMENT:** N'obstruez pas les bouches de ventilation dans le boîtier de l'appareil. En cas d'installation fixe de l'appareil, assurez-vous qu'il y a une ventilation adéquate. Ne bloquez jamais de flux d'air autour de l'appareil pour ne pas entraîner une surchauffe.
- Stockez loin des surfaces chaudes et des flammes nues. Assurez-vous que l'appareil n'est pas exposé à des températures élevées, à la poussière, à la lumière du soleil, à l'humidité, aux éclaboussures et aux gouttes d'eau.
- Ne frappez pas les éléments en verre avec des outils durs. Ne nettoyez pas l'appareil à l'aide d'un jet d'eau direct ou un nettoyeur à vapeur, ne rincez pas à l'eau – risque d'un

choc électrique.

- Ne placez rien sur l'appareil. Ne placez pas près de l'appareil ou sur l'appareil d'objets brûlants (par exemple des bougies allumées). Ne placez pas près de l'appareil ou sur l'appareil d'objets remplis d'eau (par exemple des vases).
- Ne couvrez pas l'appareil lors de l'utilisation, le risque d'incendie.
- Ne percez pas les trous supplémentaires dans l'appareil. Ne montez aucun équipement supplémentaire dans l'appareil.
- N'essayez pas d'entrer sur l'appareil.

Installation de l'appareil

- Le service et l'installation de l'appareil doivent être réalisés uniquement par du personnel qualifié qui doit effectuer les opérations ci-dessus à l'aide des outils adéquats, tout en respectant les dispositions en vigueur.
- L'appareil doit être installé dans un local fermé, bien ventilé et sur une surface plane, stable, lisse et durable.
- L'appareil doit être installé dans un endroit où il sera possible de surveiller son fonctionnement par du personnel qualifié.
- L'appareil doit être installé dans un endroit où la température ambiante est de 20°C à 32°C.
- Lors de l'installation de l'appareil laissez au moins 25 cm d'espace à l'arrière et des deux côtés de l'appareil pour assurer une ventilation adéquate. Il est recommandé d'installer l'appareil dans un endroit avec une bonne ventilation naturelle de sorte que l'appareil est correctement ventilé.
- Pour que le personnel qualifié puisse utiliser correctement l'appareil sans aucunes difficultés, assurez autour de l'appareil un espace suffisant.

De plus, l'espace autour de l'appareil permettra d'évacuer rapidement le personnel en cas d'urgence.

- L'appareil ne peut pas être placé dans un endroit où il y a un risque de le rincer avec de l'eau.
- **AVERTISSEMENT:** La prise électrique doit se trouver dans un endroit facilement accessible à l'utilisateur de sorte que l'utilisateur puisse facilement débrancher l'appareil sans aucune difficulté.
- Après le nettoyage et la désinfection de l'appareil, lubrifiez toutes les parties indiquées dans le présent manuel en utilisant de la grasse fournie avec l'appareil.
- En cas de dommage au câble d'alimentation, le remplacement doit être effectué par le fabricant / le technicien qualifié.
- N'utilisez pas de rallonges, ne remplacez pas la fiche originale de l'appareil et n'utilisez aucuns adaptateurs ou séparateurs.

Eléments électriques et autres risques

- Ne branchez aucun autre équipement à la même source d'alimentation à laquelle l'appareil est connecté.
- Après avoir éteint l'appareil ou après avoir déconnecté l'appareil de la source d'alimentation, attendez environ 5 minutes avant de le redémarrer.

Destination de l'appareil

- L'appareil est destiné à un usage professionnel et ne doit être utilisé que par du personnel qualifié.
- Cette machine est conçue uniquement pour la distribution de boissons froides.

Mise à la terre

Le distributeur est un appareil de la 1ère classe de protection et doit être obligatoirement mis à la terre. La mise à la terre réduit le risque de choc électrique grâce à un conduit évacuant le courant

- N'immergez pas l'appareil dans l'eau. Le lavage de l'appareil peut provoquer la pénétration de l'eau dans des pièces électriques et entraîner un choc électrique. Aucune pièce ou aucun accessoire de l'appareil ne peuvent pas être lavé(s) au lave-vaisselle.

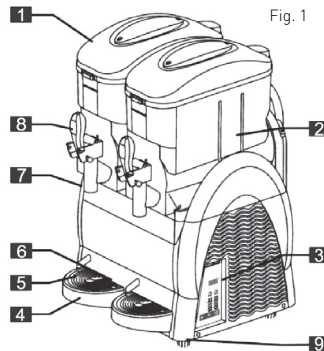
- L'utilisation de l'appareil à d'autres fins sera considérée comme une utilisation inappropriée. L'utilisateur sera seul responsable de l'utilisation incorrecte de l'appareil.

Eléments principaux de l'appareil

Parties de l'appareil :

1. Couverture du réservoir
2. Réservoir
3. Panneau de commande
4. Égouttoir amovible
5. Grille
6. Indicateur de niveau de remplissage de l'égouttoir
7. Robinet du distributeur
8. Poignées
9. Pieds

électrique. L'appareil est équipé d'un conduit avec la mise à la terre et la prise de terre. N'insérez pas la fiche à la prise murale si l'appareil n'a pas été correctement installé et mis à la terre.





Pièces de rechange


- (A). Capuchon du joint d'étanchéité de la vis sans fin x 1
- (B). Bague d'étanchéité du réservoir x 1
- (C). Bague d'étanchéité du robinet du distributeur x 10
- (D). Rondelle blanche de l'arbre de la vis sans fin x 2
- (E). Rondelle noire de l'arbre de la vis sans fin x 2
- (F). Tube de graisse x1


Panneau de commande


 Interrupteur


 Bouton de sélection du réservoir

 Voyant du réservoir Afficheur de la température

 Bouton de l'augmentation de la congélation + / de la température

 Afficheur de la congélation + / de la température


 Bouton de la réduction de la congélation + / de la température

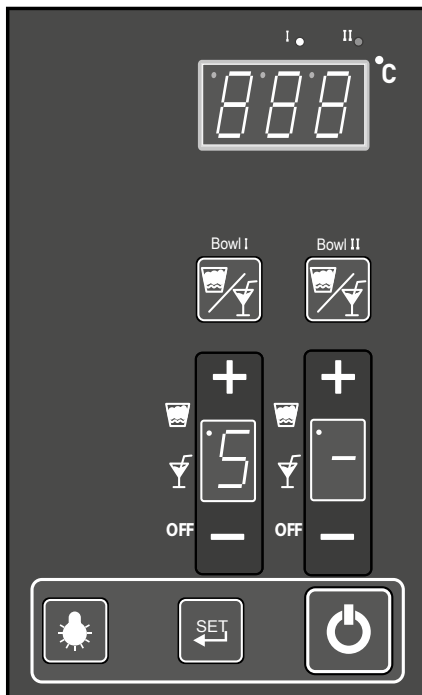
 Voyant du mode „Granité”

 Voyant du mode „Jus”

FR **OFF** Voyant du mode du mode d'arrêt (OFF)

 Bouton de l'éclairage

 Bouton de réglage des paramètres (Voir la page X pour lire les instructions sur le réglage des paramètres)



Avant la première utilisation

- Retirez et éliminez l'emballage et toutes les protections.
- Vérifiez l'appareil et les accessoires en ce qui concerne l'intégralité (graisse, nettoyeur, écrou)
- En cas de livraison incomplète ou de dommages, contactez votre fournisseur (voir : Garantie).
- Le personnel qualifié doit vérifier si l'appareil fonctionne correctement.

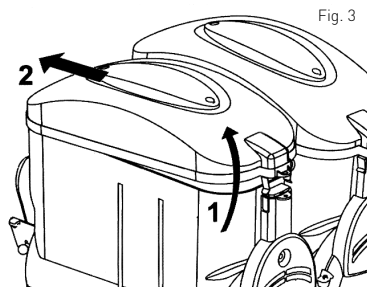
- Nettoyez toutes les parties de l'appareil selon les instructions (Voir : Nettoyage et entretien).

Attention: En raison des résidus de production, l'appareil peut émettre une odeur désagréable au début du fonctionnement. Ce phénomène est tout à fait normal et ne signifie pas un mauvais fonctionnement ou le fonctionnement dangereux. Assurez-vous que l'appareil est bien ventilé.

Fonctionnement

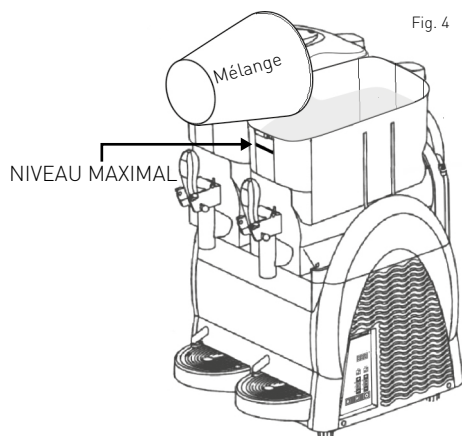
a) Préparation du mélange :

- Dissolvez dans un réservoir approprié le CONCENTRE dans l'EAU et mélangez conformément aux instructions du fabricant.
LE MELANGE PREPARE DOIT AVOIR AU MOINS 13° BRUX. Le mélange avec une teneur réduite en suivre peut entraîner des dommages de la vis sans fin et / ou des motoréducteurs.
- **AVERTISSEMENT:** La température ne peut pas dépasser 25 °C.
- **AVERTISSEMENT:** N'utilisez pas l'appareil si les réservoirs ne sont remplis que d'eau.



b) Versement du mélange dans des réservoirs de l'appareil :


- **AVERTISSEMENT:** Le mélange doit être versé dans le réservoir (2) uniquement lorsque l'appareil est ETEINT et déconnecté de la source d'alimentation.
- Pour retirer le couvercle (1) du réservoir (2) suivez les instruction (voir : Fig. 3):
 - 1) Soulevez la partie arrière du couvercle;
 - 2) Enlevez le couvercle (2) de la prise qui se trouve à l'avant du réservoir.
- Versez soigneusement le mélange dans le réservoir (2) en faisant attention à ce que le niveau de liquide dans le réservoir ne dépasse pas le NIVEAU MAXIMAL (Voir : Fig. 4). (Pour éviter tout danger, ne versez jamais des liquides chauds dans le réservoir.)



- Après avoir versé / rempli le mélange dans le réservoir (2) placez de nouveau le couvercle (1 sur le réservoir (2). Voir : Fig. 5.

AVERTISSEMENTS :

1. N'allumez jamais l'appareil si le couvercle n'a pas été installé sur le réservoir. Avant de retirer le couvercle, éteignez l'appareil et déconnectez-le de la source d'alimentation.

2.  A l'intérieur de l'appareil il y a des pièces en mouvement qui peuvent entraîner des blessures – avant d'effectuer toute opération dans le réservoir, éteignez l'appareil et déconnectez-le de la source d'alimentation.

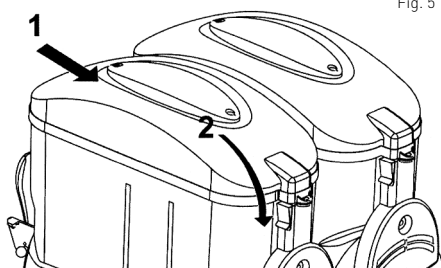






Fig. 5

c) Démarrage de l'appareil:

Chaque réservoir est contrôlé individuellement.

- Branchez d'abord la fiche à la prise électrique appropriée.
- Ensuite appuyez  , pour démarrer l'appareil. Appuyez et maintenez appuyé le bouton  pendant trois secondes pour passer en MODE DE VEILLE (STANDBY) lorsque l'appareil est actuellement utilisé. Voir : Fig. 6.
- Ensuite appuyez sur le bouton ( ou ). Ensuite appuyez de nouveau sur le bouton pour sélectionner le mode de fonctionnement de l'appareil.

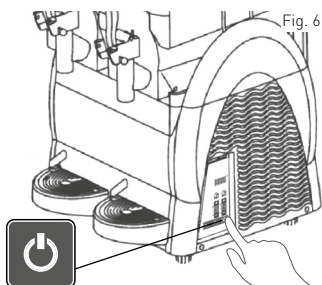






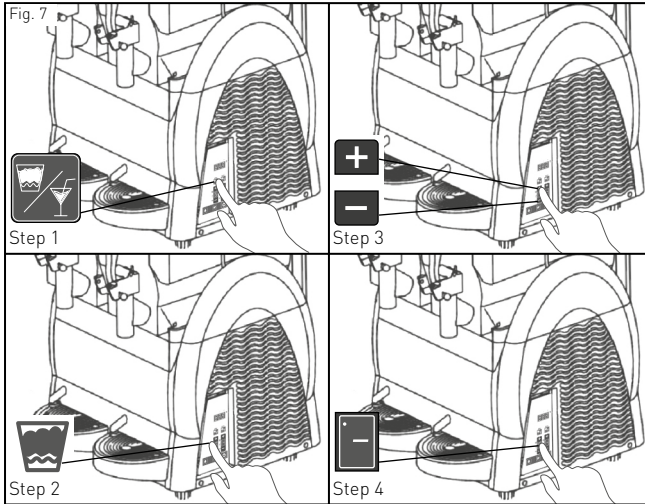
Fig. 6

(„Granité”  , „Jus”  ou ARRETE **OFF**). Les voyants correspondants à un mode de fonctionnement s'allumeront.




I). Fonctionnement en mode „Granité”

- Appuyez sur le bouton correspondant à un réservoir ( ou ).
- Ensuite appuyez plusieurs fois pour sélectionner le mode „Granité” ; le voyant s’allume .

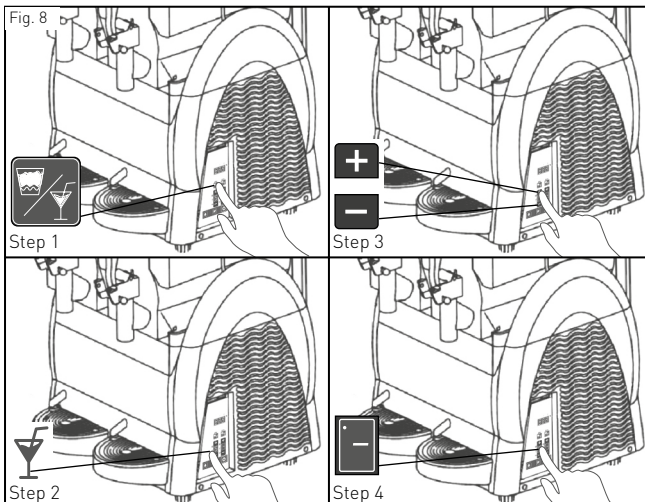
- Ensuite appuyez plusieurs fois sur „+” ou „-” pour régler le niveau de congélation. Le niveau 1 : signifie le dessert légèrement congelé avec une grande quantité d’eau, le niveau 7 – le dessert très congelé avec une petite quantité d’eau. Voir : Fig. 7.





II). Fonctionnement en mode „Jus”

- Appuyez sur le bouton correspondant à un réservoir ( ou ).
- Ensuite appuyez plusieurs fois pour sélectionner le mode „Jus” ; le voyant s’allume .



- Ensuite appuyez plusieurs fois sur „+” ou „-” pour régler une température désirée (de 1°C à 7°C).



III). Arrêt de l'appareil

- Appuyez sur le bouton correspondant à un réservoir ( ou ).

d) Pour nettoyer le réservoir sélectionné:

- Appuyez sur le bouton et maintenez appuyé le bouton correspondant à un réservoir ( ou ) pendant 6 secondes.
- La valve d'un réservoir donné sera ouverte pour le nettoyage pendant environ 3 minutes. Dans ce mode le panneau de commande affichera „°C”.

Note: Dans ce mode, L'électrovanne d'un réservoir donné reste ouverte ; le gaz réfrigérant ne sort pas

e) Dosage de granité

- Pour verser le produit, tirez le levier du robinet.

Attention:

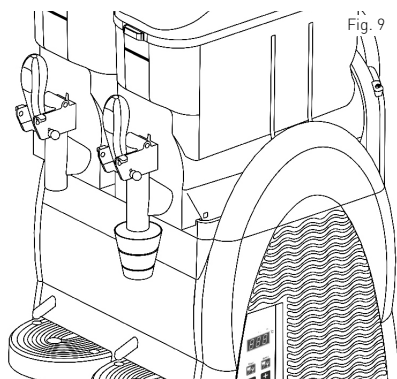
- Contrôlez régulièrement la température de la boisson dans le réservoir (2). Si dans le réservoir il y a du mélange, n'éteignez pas l'appareil.
- En cas de pause dans l'utilisation de l'appareil, il est nécessaire d'éliminer une certaine quantité de produit du robinet avant de préparer un dessert pour le client.

- Ensuite appuyez plusieurs fois pour que le voyant **OFF** . s'allume. L'appareil arrête le mélange et la congélation.

à l'extérieur. La vis sans fin continuera à tourner pour effectuer le nettoyage. Remplissez le réservoir avec de l'eau propre et chaude, ne dépassez le „NIVEAU MAXIMAL” déterminé.

Ne mettez pas les mains dans le réservoir.

Pour nettoyer et désinfecter précisément l'appareil, éteignez-le et débranchez-le de la source d'alimentation.



Nettoyage et entretien

Attention:

- Avant le nettoyage et l'entretien de l'appareil, appuyez sur l'interrupteur qui se trouve sur le panneau de commande (3) et déconnectez l'appareil de la source d'alimentation. Le nettoyage et l'entretien de l'appareil doivent être effectués par le

personnel qualifié.

- Avant le nettoyage ou l'entretien portez les vêtements de protection, par exemple les gants, les lunettes de sécurité etc.

Nettoyage :

- Nettoyez les surfaces externes et internes de l'appareil avec un chiffon humide avec une petite quantité de détergent.
- Pour le nettoyage de l'appareil n'utilisez pas les jets d'eau, les nettoyeurs à vapeur, et n'immergez pas l'appareil entier dans l'eau.
- Les parties de l'appareil ne peuvent pas être nettoyées au lave-vaisselle.
- Les parties de l'appareil ne peuvent pas être séchées dans un four à micro-ondes.

- N'utilisez pas d'éponges abrasives et/ou de d'éponges métalliques.
- Le réservoir doit être nettoyé et désinfecté au moins une fois par jour.
- Le nettoyage et la désinfection doivent être réalisés avec une prudence et dans des périodes régulières pour garantir une haute qualité de boissons versées à l'aide du distributeur, pour des raisons d'hygiène.

- **AVERTISSEMENT:** Ne connectez pas l'appareil à la source d'alimentation et ne le démarrez pas pendant le nettoyage ou l'entretien.
- Soulevez la partie supérieure du couvercle et retirez-la pour le nettoyage et l'entretien. Après le nettoyage et l'entretien, installez à nouveau le couvercle. Voir : Fig10.

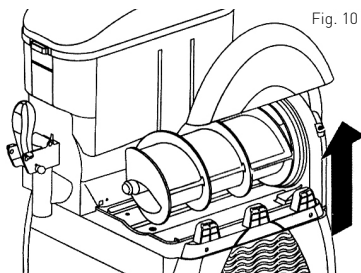


Fig. 10

a) Vidange de réservoirs :

- Avant le nettoyage le réservoir doit être vidé de tout mélange résiduel.

b) Démontage du robinet du distributeur:

- Assurez-vous que dans le réservoir il n'y plus de boissons.
- Avant de retirer le réservoir, démontez le robinet.
- Retirez la goupille (F) pour démonter d'autres parties.

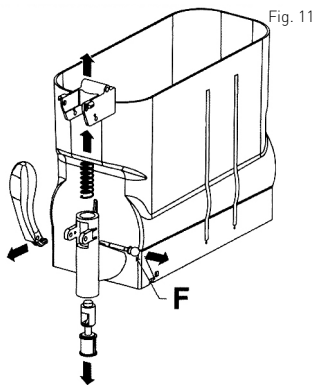


Fig. 11

- Utilisez pour le nettoyage de l'eau chaude et propre.

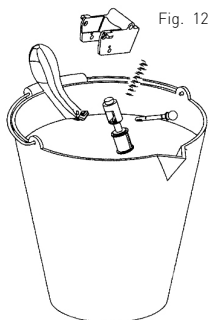


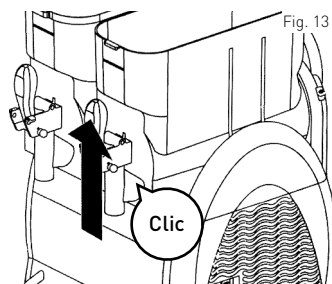
Fig. 12

c) Démontage du réservoir et du couvercle:

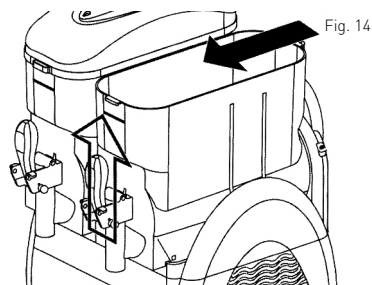
- Pour enlever le couvercle (1) du réservoir (2), suivez les instructions et la fig. 2:

- 1) Soulevez la partie arrière du couvercle;
- 2) Enlevez le couvercle (2) de la prise à l'avant du réservoir.

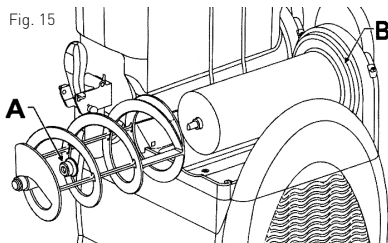
- Ensuite soulevez et décrochez la partie avant du réservoir.



- Ensuite retirez le réservoir en le poussant doucement par derrière. Le réservoir peut être retiré.



- Enfin, retirez la vis sans fin et l'écrou (A) et la bague d'étanchéité du réservoir (B). Remplacez les parties (A) et (B) si elles sont usées ; le remplacement obligatoire tous les 12 mois.



d) Lavage et désinfection de l'appareil:

Attention: Toutes les pièces enlevées énumérées ci-dessus doivent être soigneusement nettoyées et désinfectées. Il est recommandé de laver et désinfecter l'appareil tous les jours pour maintenir une haute qualité de desserts et de boissons.

Pour effectuer le nettoyage et la désinfection correctement, suivez les instructions:

- Remplissez le réservoir avec de l'eau chaude (50-60°C) en ajoutant du détergent.
- Lavez soigneusement les parties enlevées avec une solution d'eau et de détergent.
- Rincez à l'eau chaude.
- Immergez les pièces enlevées dans une solution et laissez-les pendant environ 30 minutes.

- Ensuite lavez les parties à l'eau propre.
- Placez toutes les pièces sur une surface sèche, propre et laissez sécher.
- Réinstallez les parties dans l'appareil conformément aux instructions spécifiées dans le point e).
- Avant de réutiliser le distributeur, effectuez le cycle de rinçage à l'eau propre. (Voir le point f)).

AVERTISSEMENT ! N'immergez pas les couvercles du réservoir avec l'ampoule dans un liquide. Avant le nettoyage assurez-vous que toutes les ampoules ont été démontées conformément aux instructions (voir la Fig. 27):

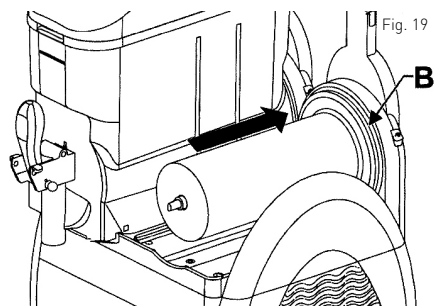
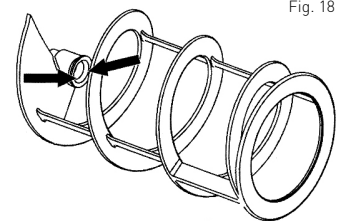
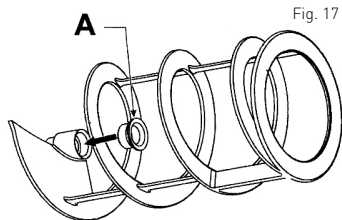
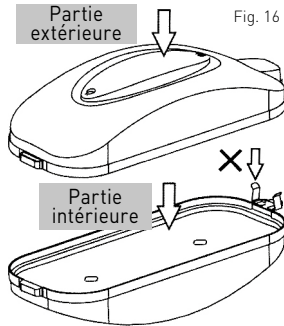
Nettoyez le couvercle du réservoir avec l'ampoule conformément aux instructions suivantes:

1. Nettoyez la partie intérieure du couvercle du réservoir et la surface extérieure en utilisant le chiffon propre et humide.
2. En utilisant l'éponge immergée dans une solution de nettoyage effectuez pendant environ 10 minutes la désinfection de la partie intérieure du couvercle en faisant attention à ne pas toucher les charnières (X).
3. Lavez deux ou plusieurs fois en utilisant l'éponge propre immergée à l'eau propre et chaude.
4. Séchez avec un chiffon propre et sec.
5. Remettez le couvercle sur le réservoir lavé et désinfecté.

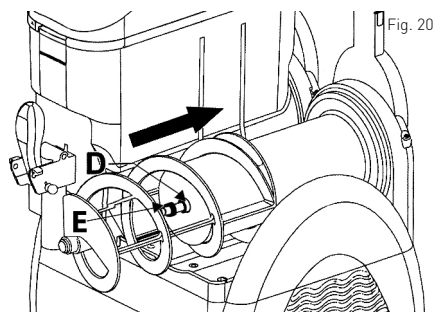
e) Réinstallation des pièces nettoyées

Attention: Toutes les pièces nettoyées de l'appareil doivent être prudemment installées. Certaines pièces doivent être lubrifiées par la graisse fournie avec l'appareil, pour assurer leur bon fonctionnement.

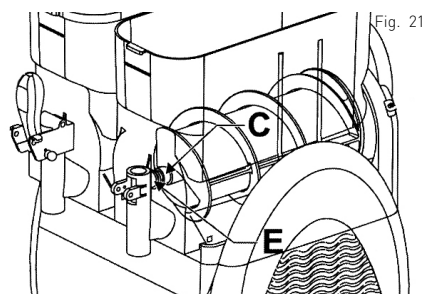
- Contrôlez toujours l'état du joint d'étanchéité (A) – s'il est usé, remplacez-le (les joints sont fournis avec l'appareil).
 - Remplacez l'écrou de la vis sans fin (A) au moins tous les 12 mois.
 - Installez l'écrou de la vis sans fin (A) conformément aux instructions (Voir : Fig. 17).
 - Lubrifiez la partie interne de l'écrou de la vis sans fin (A) conformément à la figure 18 en utilisant de la graisse fournie avec l'appareil.
-
- Ensuite installez la bague d'étanchéité du réservoir (B) et appliquez de la graisse autour de la bague conformément à la figure présentée (Voir : Fig. 19).



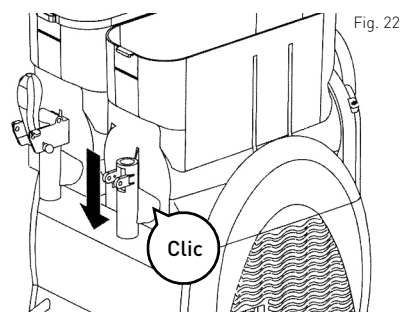
- Ensuite installez la vis sans fin et la rondelle blanche (D) et la rondelle noire (E) sur l'arbre. Tournez la vis sans fin pour la fixer.



- Ensuite montez le réservoir dans une place appropriée, soulevez doucement la partie avant de la vis sans fin en la mettant dans la position souhaitée (E) par rapport au réservoir. (Voir : Fig. 21).

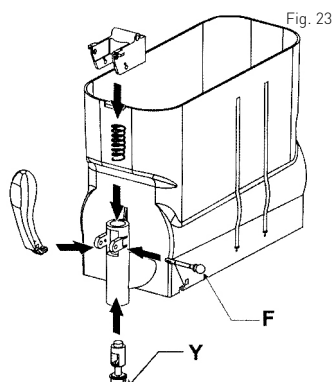


- Pousse doucement le récipient jusqu'à ce qu'il se mette en position correcte (Voir : Fig. 22).



Pour réinstaller le robinet, suivez les instructions suivantes (7) :

- Lubrifiez bien le robinet (Y) en utilisant de la graisse fournie avec l'appareil et montez toutes les pièces.
- Insérez la goupille (F) en maintenant le levier du robinet (Voir : Fig. 23).
- Remplacez la bague d'étanchéité du robinet (C) si elle est usée ou en cas de fuites.



f) Rinçage de l'appareil

Attention: Après le nettoyage de l'appareil effectuez le cycle de rinçage avant de réutiliser l'appareil.

Les instructions pour effectuer le cycle de rinçage:

- Versez de l'eau propre dans le réservoir ;

g) Nettoyage de l'égouttoir

Attention: L'égouttoir doit être vidé et nettoyé chaque fois lorsque le voyant de remplissage se déplace. L'égouttoir doit être nettoyé tous les jours.

- Soulevez et retirez l'égouttoir et la grille de l'égouttoir.
- Lavez séparément l'égouttoir et la grille à l'eau tiède.
- Séchez bien toutes les pièces et installez la grille dans l'égouttoir.
- Installez le tuyau d'évacuation de l'eau dans un trou correspondant.
- Installez l'égouttoir dans l'appareil et poussez-le pour le fixer correctement.

h) Couvercle avec l'éclairage

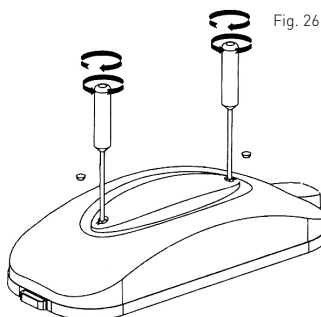
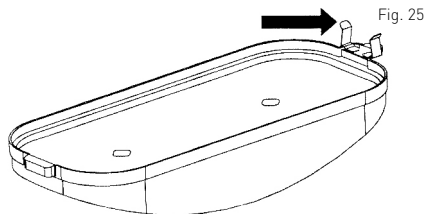
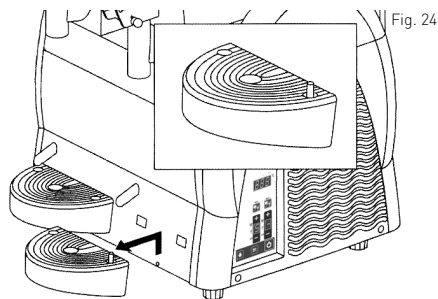
Attention: Pendant le nettoyage veillez à ne pas plier, ne pas casser ou endommager les „contacts“. Tout dommage aux contacts peut entraîner un mauvais fonctionnement du couvercle avec l'éclairage.

- Nettoyez les contacts du couvercle avec l'éclairage en utilisant un chiffon humide, séchez correctement. Rappelez-vous toujours d'éteindre l'appareil.
- N'immergez jamais l'appareil dans l'eau pendant le nettoyage.

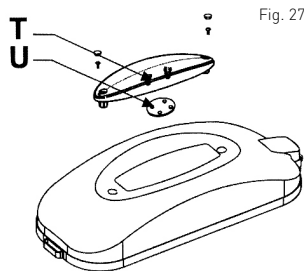
i) Remplacement de l'ampoule

- L'ampoule doit être remplacée uniquement lorsque l'appareil est éteint et le câble d'alimentation est déconnecté de la source d'alimentation.
- Retirez les capuchons de protection. Ensuite à l'aide d'un tournevis approprié (non fourni) dévissez les vis pour retirer le couvercle.

- L'appareil doit mélanger le liquide dans le réservoir pendant environ 5 minutes sans interruption.
- Arrêtez l'appareil et videz le réservoir en dévissant le robinet (7).

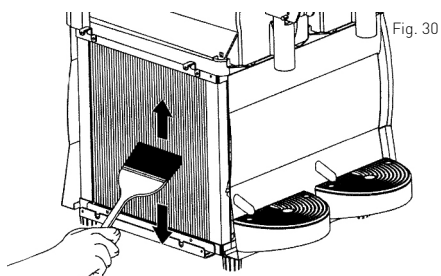
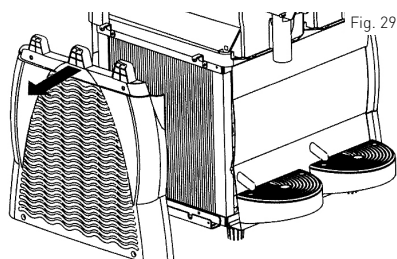
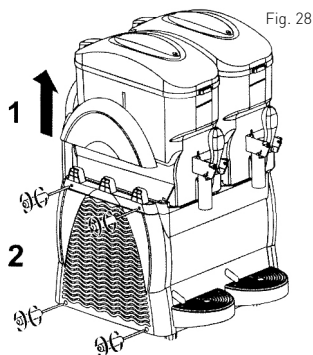


- Retirez l'ampoule (U) du support (T). Remplacez l'ampoule (non fournie avec l'appareil).



j) Nettoyage du condenseur

- **Attention:** Le nettoyage du condenseur peut être effectué uniquement par un technicien qualifié en utilisant les outils / l'équipement approprié.
- Le condenseur doit être nettoyé régulièrement (au moins tous les 6 mois) pour garantir un bon fonctionnement de l'appareil.
- Pour accéder au condenseur, retirez d'abord le panneau de protection.
- **AVERTISSEMENT:** Le démontage du panneau de protection, suivez les instructions suivantes :
 - 1) Soulevez et retirez la partie supérieure du panneau de protection ;
 - 2) Dévissez 4 vis fixant le panneau de protection.
 - 3) Après avoir dévissé 4 vis, retirez le panneau de protection. (Voir : Fig. 29)
 - 4) En utilisant la brosse sèche (non fournie avec l'appareil) éliminez la poussière accumulée. (Voir : Fig. 30)
 - 5) Après avoir nettoyé soigneusement le condenseur, réinstallez le panneau de protection.



k) Entretien périodique

L'appareil doit être soumis à un entretien périodique (au moins tous les 6 mois) effectué par un technicien qualifié. L'entretien périodique de l'appareil est destiné pour assurer que l'appareil et toutes les pièces de l'appareil garantissent une bonne sécurité.

Si les pièces de l'appareil sont usées, remplacez-les par des pièces de rechange originales. N'utilisez pas l'appareil même si une pièce de l'appareil est endommagée ou usée. L'entretien périodique ne peut pas être effectué par l'utilisateur.

Dépannage

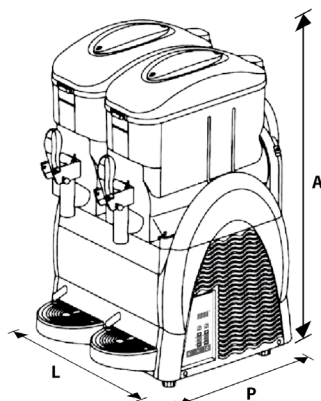
Si l'appareil ne fonctionne pas correctement, lisez les instructions dans le tableau ci-dessous pour trouver une bonne solution.

Si vous ne pouvez pas résoudre le problème, contactez votre revendeur.

Problème	Cause possible	Solution possible
L'appareil ne démarre pas après avoir connecté à une prise électrique.	Le câble d'alimentation et la fiche ne sont pas correctement connectés à la prise électrique.	Vérifiez les connexions. Assurez-vous que tous les éléments de l'appareil sont correctement connectés.
Les fuites dans le robinet du distributeur.	Le robinet n'a pas été correctement installé.	Retirez le robinet et vérifiez s'il a été correctement installé.
	Le piston du robinet n'est pas lubrifié.	Lubrifiez le piston du robinet.
	Le piston du robinet est endommagé.	Contactez votre vendeur.
Les fuites à l'arrière de l'appareil.	Le réservoir n'a pas été correctement installé.	Vérifiez si le réservoir est correctement monté.
	La bague d'étanchéité du réservoir n'est pas lubrifiée.	Lubrifiez la bague d'étanchéité du réservoir.
	La bague d'étanchéité du réservoir est endommagée.	Remplacez la bague d'étanchéité du réservoir.
La vis sans fin ne tourne pas.	La vis sans fin a été bloquée par la glace dans le réservoir.	Attendez jusqu'à ce que la glace fonde.
L'appareil ne produit pas le granité.	Le mode „Granité” n'a pas été sélectionné.	Sélectionnez le mode „Granité”.
	Le condenseur est sale.	Nettoyez régulièrement le condenseur.
	La ventilation insuffisante.	Assurez une ventilation adéquate.
	L'appareil est placé trop près d'une source de chaleur.	Placez l'appareil loin de la source de chaleur.
La vis sans fin génère du bruit.	Le joint d'étanchéité avant (A) est incorrectement appliqué.	Vérifiez la position du joint d'étanchéité (A) et installez-le correctement.
	Le joint d'étanchéité avant (A) est incorrectement lubrifié.	Lubrifiez le joint d'étanchéité avant (A).
	Le mélange est trop dense.	Changez la densité.
Le granité a des taches sombres.	Le réservoir est sale.	Arrêtez l'appareil et débranchez la fiche de la prise électrique. Lavez soigneusement le réservoir.
	La bague d'étanchéité de la vis sans fin est sale.	Nettoyez encore une fois la bague d'étanchéité.
Le robinet du distributeur ne distribue pas une bonne quantité.	Le robinet est bloqué par la glace.	Arrêtez l'appareil et attendez jusqu'à ce que la glace fonde.

Caractéristiques techniques

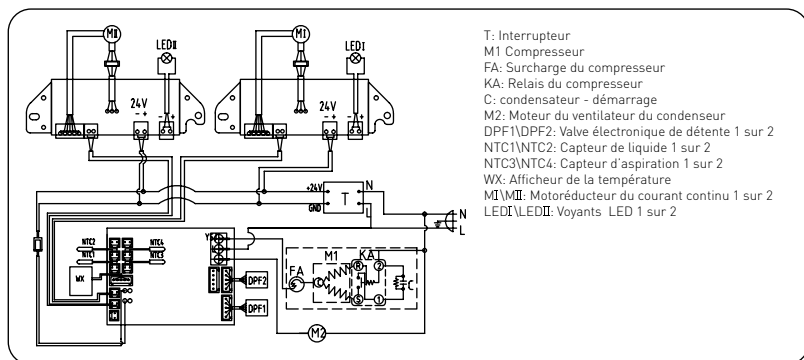
Produit n°	274224
Dimensions de l'appareil	P: 520mm x A: 810mm x L: 470mm
Poids (réservoir vide)	50kg
Consommation d'énergie maximale (W)	850W
Tension de fonctionnement (V) & fréquence (Hz)	220-240V- 50Hz
Température pendant le fonctionnement	Au moins 20°C au max. 32°C
Nombre de réservoirs	2
Capacité de chaque réservoir	12 litres + 12 litres
Niveau de bruit	< 70 dB
Degré de protection	Classe I
Coefficient d'étanchéité :	IPX0
Réfrigérant / quantité	R404a / 450g
Poids net (réservoir vide)	62kg
Classe climatique	N



Remarque : Les caractéristiques peuvent être modifiées sans préavis.

Schéma électrique (produit n° 274224)

FR





Réglage des paramètres

AVERTISSEMENT: Il n'est pas recommandé de modifier les paramètres ci-dessous parce que les paramètres existants sont optimaux. Les paramètres

actuels ne doivent être modifiés que lorsque cela est absolument nécessaire.

Modification des paramètres

Appuyez et maintenez appuyé  pendant environ 6 secondes. La température affichée commence à clignoter. Appuyez sur „+” ou „-” pour régler la valeur „15” (c'est un code d'accès au mode de réglage des paramètres).

Ensuite plusieurs fois appuyez sur  pour sélectionner un paramètre à modifier (les paramètres suivants apparaissent sur l'afficheur). Les paramètres qui peuvent être sélectionnés :

Afficheur	Description	Plage	Réglage original
F1	La température dans le réservoir I en mode „Jus”	1°C ~ 7°C	2°C
F2	La température dans le réservoir II en mode „Jus”	1°C ~ 7°C	2°C
F3	Sans objet		
C1	La protection contre la température trop basse	-3°C ~ 10°C	-5°C
C3	La protection – la température du liquide à la sortie dans la première phase	5°C ~ 10°C	10°C
C4	La protection – la température du liquide à la sortie dans la deuxième phase	3°C ~ 8°C	5°C
A1	La température de compensation pour la sonde du réservoir I	-5°C ~ 5°C	0°C
A2	La température de compensation pour la sonde du réservoir II	-5°C ~ 5°C	0°C
A3	Sans objet		
E1	La différence des températures en mode „Jus”	1°C ~ 5°C	2°C
E2	Retard de temps du compresseur	2 ~ 8 min	2 min

FR

Garantie

Tout vice ou toute défaillance entraînant un dysfonctionnement de l'appareil qui se déclare dans les 12 mois suivant la date de l'achat sera éliminé à titre gratuit ou l'appareil sera remplacé par un appareil nouveau si le premier a été dûment exploité et entretenu conformément aux termes de la notice d'exploitation et s'il n'a pas été indûment exploité ou de manière non conforme à sa destination. La présente stipulation ne porte pas de préjudice aux autres droits de l'utilisateur prévus par les dispositions légales. Dans le cas où l'appareil est donné à la réparation ou doit être remplacé

dans le cadre de la garantie, il y a lieu de spécifier le lieu et la date de l'achat de l'appareil et produire un justificatif nécessaire (par ex. facture ou ticket de caisse).

Conformément à notre politique d'amélioration permanente de nos produits, nous nous réservons le droit d'introduire sans avertissement préalable des modifications à l'appareil, à l'emballage et aux caractéristiques techniques précisées dans la documentation.

Élimination et protection de l'environnement

En cas de retrait du produit de l'exploitation l'appareil ne peut pas être jeté avec d'autres déchets ménagers. L'utilisateur est responsable de la remise de l'équipement au point de collecte approprié pour l'équipement usagé. Le non-respect des dispositions ci-dessus peut entraîner les pénalités conformément à la réglementation applicable en matière d'élimination des déchets. La collecte sélective et le recyclage des équipements usagés contribuent à la conservation des ressources na-

turelles et assurent un recyclage sans danger pour la santé et l'environnement. Pour plus d'informations sur les endroits de collecte des équipements usagés pour le recyclage, contactez la société de collecte des déchets locale. Le producteur et l'importateur ne sont pas responsables du recyclage et du traitement des déchets d'une manière respectueuse de l'environnement directement et dans le système public.

Gentile cliente,



grazie per aver acquistato questo apparecchio Arktic. Ti invitiamo a leggere queste istruzioni per l'uso con attenzione prima di collegare l'apparecchio al fine di evitare danni dovuti a uso improprio. Ti invitiamo inoltre a prestare particolare attenzione alle precauzioni di sicurezza.

Precauzioni di sicurezza

- L'uso scorretto e improprio dell'apparecchio possono danneggiare seriamente l'apparecchio e ferire gli utenti.
- Questo dispositivo è destinato esclusivamente per uso commerciale e non può essere utilizzato per uso domestico.
- L'apparecchio può essere utilizzato solo per lo scopo per cui è stato concepito e progettato. Il produttore non è responsabile di eventuali danni provocati da uso scorretto ed improprio.
- Tenere l'apparecchio e la spina elettrica lontani da acqua ed altri liquidi. Nel caso improbabile che l'apparecchio cada in acqua, staccare immediatamente la spina dalla presa e fare ispezionare l'apparecchio da un tecnico certificato. L'inosservanza delle presenti istruzioni può dare luogo a situazioni pericolose
- Non provare mai ad aprire l'involucro dell'apparecchio da soli.
- Non inserire oggetti nell'involucro dell'apparecchio.
- Non toccare la presa con le mani bagnate o umide.
- **Pericoli di scosse elettriche!** Non tentare di riparare l'apparecchio da solo. Eventuali difetti e malfunzionamenti devono essere rimossi soli da personale qualificato.
- **Non usare l'apparecchio danneggiato!** L'apparecchio difettoso deve essere immediatamente scollegato dalla rete e contattare il rivenditore.
- **Attenzione:** Non immergere parti elettriche in acqua o altri liquidi. Non mettere l'apparecchio sotto l'acqua corrente.
- Controllare regolarmente se la spina e il cavo di alimentazione non sono danneggiati. La spina o il cavo danneggiati trasmettere al servizio o alla persona qualificare per riparare, per evitare eventuali pericoli e lesioni.
- Assicurarsi che il cavo di alimentazione non è in contatto con oggetti appuntiti o caldi. Tenere il cavo lontano da fiamme libere. Per scollegare la spina dalla presa, tirare sempre la spina, mai il cavo.
- Proteggere il cavo di alimentazione (o di estensione) per la sconnessione accidentale dalla presa. Disporre il cavo in modo per evitare lo slittamento accidentale.
- Sorvegliare l'apparecchio continuamente durante l'uso.
- **Attenzione!** Se la spina è inserita nella presa, l'apparecchio è considerato come collegato.
- Prima di rimuovere la spina dalla presa, spegnere l'apparecchio!
- Non trasportare l'apparecchio tenendo il cavo di alimentazione.
- Non utilizzare qualsiasi accessorio che non è stato fornito con l'apparecchio.
- L'apparecchio deve essere collegato ad una presa con tensione e frequenza indicate sulla targhetta.

- Inserire la spina nella presa situata in un punto facilmente accessibile in modo che in caso di guasto sia possibile scollegare immediatamente l'apparecchio. Per spegnere completamente l'apparecchio, scollegarlo dalla presa di corrente. Per questo staccare la spina che si trova sull'estremità del cavo di alimentazione.
- Prima di scollegare la spina, ricordarsi sempre di spegnere l'apparecchio!
- Non usare gli accessori non raccomandati dal produttore. L'uso di accessori non raccomandati può creare i rischi per l'utente e provocare i danni all'apparecchio. Usare unicamente solo pezzi ed accessori originali.
- L'installazione elettrica deve soddisfare le normative nazionali e locali applicabili. Questo apparecchio non è destinato all'uso da parte di persone (inclusi i bambini) con capacità fisiche, sensoriali o mentali ridotte, o senza esperienza e conoscenza.
- Non permettere ai bambini di utilizzare l'apparecchio.
- Tenere l'apparecchio con il cavo fuori dalla portata dei bambini.
- Non permettere ai bambini di giocare con l'apparecchio.
- Scollegare l'apparecchio dalla rete se esso deve essere lasciato incustodito e prima del montaggio, dello smontaggio o della pulizia.
- Non lasciare l'apparecchio incustodito durante l'utilizzazione.

Norme di sicurezza speciali

- L'apparecchio dovrebbe essere utilizzato e mantenuto dal personale di cucina o di assistenti di bar o di ristoranti qualificati.
- **Attenzione! Rischio di incendio!** Nell'apparecchio è utilizzato un refrigerante R404a. L'uso di un altro refrigerante può esporre gli utenti e le persone che utilizzano l'apparecchio al pericolo di incendio.
-  **AVVERTENZA:** Prima di rimuovere l'involucro / il coperchio del recipiente e prima di eseguire qualsiasi operazione all'interno, spegnere l'apparecchio a causa del rischio di essere catturati dalle parti mobili dell'apparecchio.
-  **AVVERTENZA:** Il refrigerante può causare danni a contatto con la pelle. Proteggere gli occhi e la pelle contro il contatto diretto con il refrigerante. In caso di ustioni, lavare immediatamente la parte irritata con acqua fredda. In caso di ustioni gravi, applicare il ghiaccio sulla parte irritata e consultare immediatamente il medico.
- **AVVERTENZA:** Non ostruire le aperture dell'involucro dell'apparecchio. In caso di installazione fissa dell'apparecchio, assicurarsi che c'è una ventilazione adeguata. Non bloccare il flusso d'aria intorno all'apparecchio per non portare a surriscaldamento.
- Tenere lontano da superfici calde e fiamme libere. Assicurarsi che l'apparecchio non è esposto a temperature elevate, polvere, luce solare, umidità, sprizzi e gocce d'acqua.
- Non colpire gli strumenti rigidi negli parti in vetro. Non pulire l'apparecchio utilizzando il flusso diretto di acqua o il pulitore a vapore.
- Non mettere qualsiasi oggetto sull'apparecchio. Non mettere vicino all'apparecchio o sull'apparecchio qualsiasi oggetto che brucia (ad es. candele). Non mettere vicino all'apparecchio qualsiasi oggetto con l'acqua (p. es. vasi).
- Non coprire l'apparecchio durante il funzionamento. Questo crea un pericolo di incendio.

- Non eseguire fori supplementari nell'apparecchio. Non installare apparecchiature aggiuntive sull'apparecchio.
- Non cercare di entrare sull'apparecchio.

Installazione dell'apparecchio

- Il funzionamento e l'installazione dell'apparecchio deve essere effettuato unicamente da personale qualificato che deve eseguire tutte le operazioni precedenti, utilizzando per questo scopo gli strumenti speciali e rispettare le normative vigenti.
- Montare l'apparecchio nell'ambiente chiuso, ben ventilato e posizionarlo su una superficie piana, piatta, asciutta, stabile e durevole.
- L'apparecchio deve essere installato in un luogo in cui sarà possibile supervisionare il suo funzionamento da personale qualificato.
- L'apparecchio deve essere installato in un luogo in cui la temperatura ambiente è da 20°C a 32°C.
- Durante l'installazione lasciare almeno 25 cm di spazio nella parte posteriore e su entrambi i lati dell'apparecchio per garantire un'adeguata ventilazione. Si raccomanda l'installazione dell'apparecchio in un luogo con una buona ventilazione naturale in modo che l'apparecchio sia correttamente ventilato.
- Perché il personale qualificato sia in grado di utilizzare l'apparecchio liberamente e senza qualsi-

asi difficoltà, intorno all'apparecchio uno spazio adeguato deve essere garantito. Inoltre lo spazio intorno all'apparecchio permette al personale di lasciare un locale in caso di emergenza.

- L'apparecchio non può essere installato in un luogo dove c'è un rischio di spruzzi a getto d'acqua.
- **AVVERTENZA:** La presa elettrica deve essere in una posizione facilmente accessibile all'utilizzatore in modo che l'utilizzatore sarà in grado, se necessario, staccare l'apparecchio facilmente dalla fonte di alimentazione.
- Dopo la pulizia e la disinfezione dell'apparecchio, lubrificare tutte le parti indicati nel presente manuale, utilizzando il grasso fornito con l'apparecchio.
- In caso di danneggiamento del cavo di alimentazione, la sostituzione deve essere eseguita dal produttore / dal tecnico qualificato.
- Non utilizzare prolunghe, non sostituire la spina originale o non utilizzare adattatori esterni o i divisori.

Elementi elettrici e altri pericoli

- Non si deve collegare qualsiasi altro apparecchio alla stessa sorgente di alimentazione.
- Dopo aver spento e scollegato l'apparecchio dalla fonte di alimentazione, aspettare circa 5 minuti prima di riavviare.

- Non immergere l'apparecchio in acqua. La pulizia dell'apparecchio può provocare scosse elettriche se l'acqua penetra all'interno dell'apparecchio. Nessun elemento / accessorio dell'apparecchio non può essere lavare in lavastoviglie..

Destinazione del dispositivo

- Il dispositivo è destinato all'uso professionale e deve essere utilizzato esclusivamente da personale qualificato.
- Questa macchina è progettata solo per erogare bevande fredde.

- L'uso del dispositivo per qualsiasi altro scopo sarà considerato un uso improprio. L'utente sarà l'unico responsabile per l'uso scorretto del dispositivo.

Messa a terra

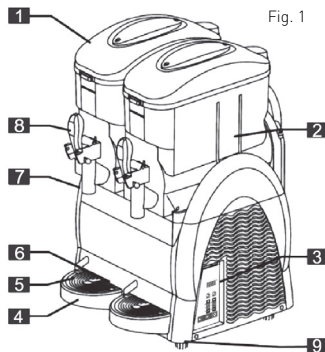
Il distributore è l'apparecchio della I classe di protezione e deve esser messo a terra. La messa a terra riduce il rischio di scosse elettriche grazie al cavo evacuante il corrente elettrico. L'apparecchio

è dotato di un cavo con una messa a terra. Non inserire la spina nella presa di corrente se l'apparecchio non è stato correttamente installato o messo a terra.

Parti principali dell'apparecchio

Parti dell'apparecchio :

1. Coperchio del recipiente
2. Recipiente
3. Pannello di controllo
4. Vassoio salvagocci estraibile
5. Griglia
6. Indicatore del livello di riempimento del vassoio salvagocci
7. Rubinetti del distributore
8. Maniglie
9. Piedini






Pezzi di ricambio


- (A). Tappo della vite senza fine x 1
(B). Anello di tenuta del recipiente x 1
(C). Anello di tenuta del rubinetto del distributore x 10
(D). Rondella bianca dell'albero della vite senza fine x 2
(E). Rondella nera dell'albero della vite senza fine x 2
(F). Tubo di grasso x1


Pannello di controllo


 Interruttore


  Pulsante di scelta del recipiente


 Spia del recipiente Display della temperatura

 Pulsante di aumentazione del congelamento + / della temperatura


 Display del congelamento / della temperatura


 Pulsante di riduzione del congelamento + / della temperatura

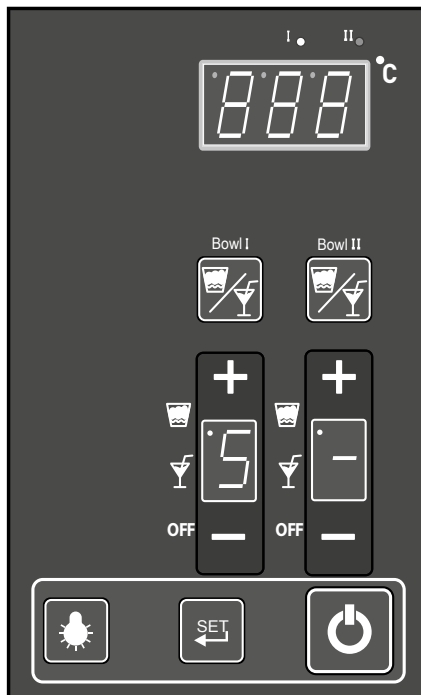
 Spia di modalità „Granita”

 Spia di modalità „Succo”

OFF Spia di modalità dello spegnere (OFF)

 Pulsante di illuminazione

 Pulsante dei parametri (veder la pagina X per leggere le istruzioni di impostazione dei parametri).



Prima del primo utilizzo

- Rimuovere e eliminare l'imballaggio e le protezioni.
- Controllare l'apparecchio e gli accessori per la completezza (grasso, spugna, dado)
- n caso di consegna incompleta o di danni contattare il fornitore (vedere: Garanzia).
- Il personale qualificato deve controllare se l'apparecchio funziona correttamente.

- Pulire tutte le parti secondo le istruzioni (Vedere: Pulizia e manutenzione).

Attenzione: A causa di residui di produzione, l'apparecchio può emettere un odore sgradevole all'inizio del funzionamento dell'apparecchio. Questo è normale e non significa che il funzionamento non corretto o pericolo. Assicurarsi che l'apparecchio è ben ventilato..

Utilizzo

a) Preparazione della miscela:

- Sciogliere il CONCENTRATO in ACQUA nel recipiente adatto, mescolare secondo le istruzioni del produttore.

LA MISCELA OTTENUTA DEVE AVERE ALMENO 13° BRIX. La MISCELA Con un contenuto ridotto di zucchero può portare a danni della vite senza fine e/ o di motoriduttori.

- **AVVERTENZA:** La temperatura della miscela non deve superare i 25 °C.
- **AVVERTENZA:** Non utilizzare mai l'apparecchio se i recipienti sono pieni di acqua.

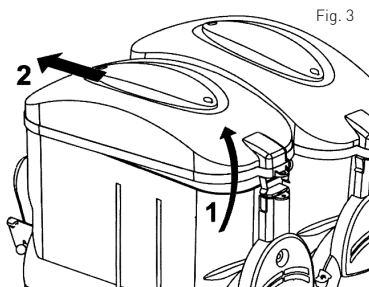


Fig. 3

b) Versare della miscela nei recipienti dell'apparecchio :

- **AVVERTENZA:** La miscela deve essere versata nel recipiente [2] solo quando l'apparecchio è SPENTO e scollegato dalla fonte di alimentazione.

- Per rimuovere il coperchio (1) del recipiente (2), seguire le istruzioni (Vedi: Fig.3):

- 1) Sollevare la parte posteriore;
- 2) Rimuovere il coperchio (2) dal gancio sulla parte anteriore del recipiente.

- Versare con prudenza la miscela nel recipiente (2), facendo attenzione che il livello di liquido nel recipiente non superi il „LIVELLO MASSIMO“. (Vedi: Fig.4). (Per evitare pericoli non versare mai liquido caldo nel recipiente.)

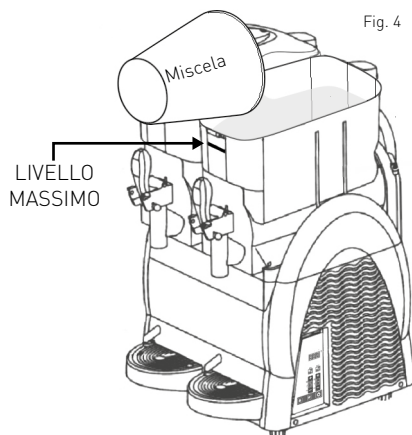



Fig. 4

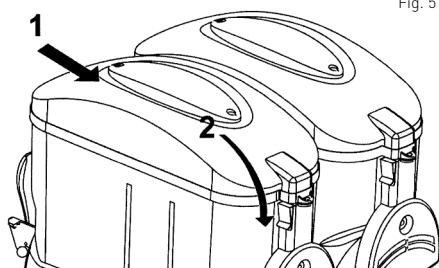
- Dopo aver versato la miscela nel recipiente (2) posizionare il coperchio (1) sul recipiente (2). Vedi: Fig. 5.

Fig. 5

AVVERTENZE:





1. Non avviare mai l'apparecchio se il coperchio non si trova sul recipiente. Prima di rimuovere il coperchio, spegnere l'apparecchio e scollegarlo dalla fonte di alimentazione.

2.  All'interno dell'apparecchio ci sono parti immobili che possono causare lesioni. Prima di effettuare qualsiasi operazione riguardante il recipiente, spegnere l'apparecchio e scollegarlo dalla fonte di alimentazione.

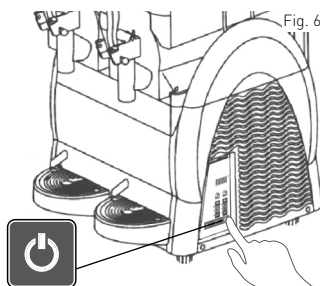


c) Avviamento dell'apparecchio:

Ogni recipiente è controllato separatamente.




- Collegare la spina alla presa di corrente adeguata.
- Poi premere , per avviare l'apparecchio. Premere e mantenere premuto  per tre secondi per passare alla modalità di STANDBY quando l'apparecchio è attualmente utilizzato. Vedi: Fig. 6.
- Poi premere il pulsante corrispondente al recipiente ( o ). Premere di nuovo il pulsante per scegliere la modalità. Esistono tre modalità del funzionamento dell'apparecchio

(„Granita” , „Succo”  o SPENTO **OFF**). La spia di controllo di ogni modalità si accende.

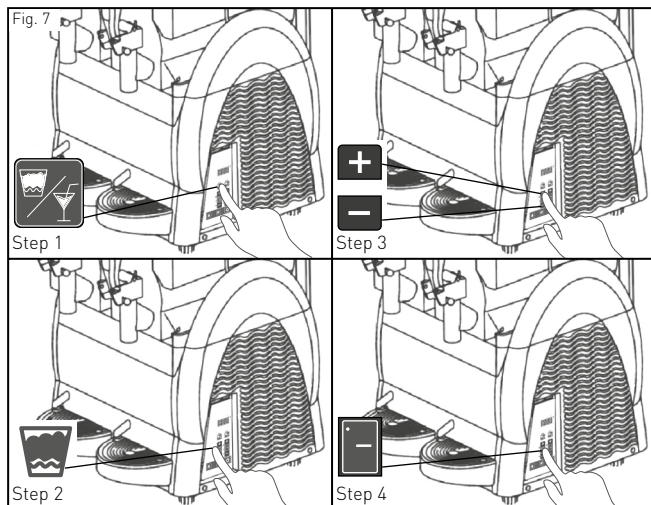


IT

I). Funzionamento in modalità „Granita“




- Premere il pulsante corrispondente al recipiente ( o ).
- Poi premere qualche volta per scegliere la modalità „Granita“; la spia si accende .

- Poi premere qualche volta „+“ o „-“ per impostare il livello di congelamento: Livello 1 significa il dessert leggermente surgelato con una grande quantità di acqua, il livello 7 – il dessert fortemente surgelato con una piccola quantità di acqua. Vedi: Fig. 7.

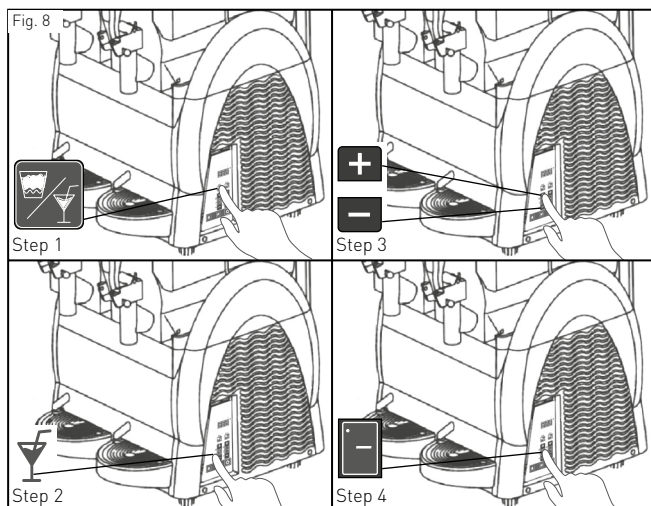


IT



II). Funzionamento in modalità „Succo“

- Premere il pulsante corrispondente al recipiente ( o ).
- Poi premere qualche volta per scegliere la modalità „Succo“; la spia si accende .



- Poi premere qualche volta „+“ o „-“ per impostare la temperatura desiderata (da 1°C a 7°C).



III). Arresto del funzionamento dell'apparecchio

- Premere il pulsante corrispondente al recipiente ( o ).

d) Per pulire il recipiente:

- Premere e mantenere premuto il recipiente corrispondente al recipiente ( o ) per 6 secondi.
- La valvola del recipiente adatto sarà aperta per la pulizia per circa 3 minuti. In questa modalità il pannello di controllo visualizza „°C”.

Attenzione: In questa modalità l'elettrovalvola del recipiente adatto sarà aperto; Il gas refrigerante

e) Dosaggio della granita

- Per versare il prodotto, tirare la leva del rubinetto.

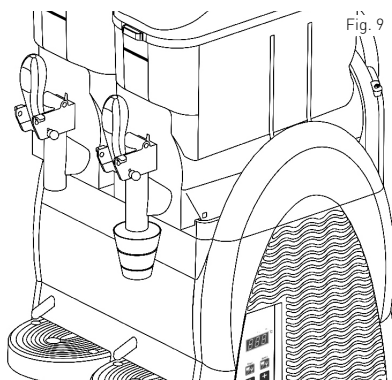
Attenzione:

- Controllare regolarmente la temperatura della bevanda nel recipiente (2). Se nel recipiente c'è una miscela, non spegnere l'apparecchio
- In caso di pausa nell'utilizzo dell'apparecchio è necessario rimuovere una certa quantità del prodotto dal rubinetto prima di preparare il dessert per il cliente.

- Poi premere qualche volta fino a quando la spia **OFF** si accende. L'apparecchio ferma la miscelazione e il congelamento.

non uscirà fuori. La vite senza fine girerà sempre per la pulizia. Riempire il recipiente con acqua pulita e calda senza superare un determinato „LIVELLO MASSIMO”.

Non mettere le mani nel recipiente. Per la pulizia precisa o la sanificazione dell'apparecchio, spegnerlo e scollegarlo dalla fonte di alimentazione.



Pulizia e manutenzione

Attenzione:

- Prima della pulizia e manutenzione, accertarsi di premere l'interruttore sul pannello di controllo (3) e scollegare l'apparecchio dalla rete elettrica. La pulizia e la manutenzione dell'apparecchio devono essere eseguite da personale qualificato.

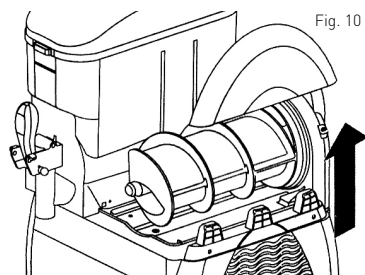
Pulizia :

- Le superfici interne ed esterne dell'apparecchio possono essere pulite con un panno umido e con una piccola quantità di detersivo.
- Per la pulizia dell'apparecchio non utilizzare getti d'acqua diretti, pulitore a vapore e non immergere l'intero apparecchio in acqua.
- Le parti dell'apparecchio non possono essere lavati in lavastoviglie.
- Le parti dell'apparecchio non possono essere asciugati in un forno a microonde.

- Prima della pulizia o manutenzione utilizzare gli abiti di protezione, ad esempio guanti o occhiali di sicurezza ecc.

- Per la pulizia non utilizzare spugne abrasive e/o di metalliche.
- Il recipiente deve essere pulito e disinfettato almeno una volta al giorno.
- La pulizia e la disinfezione devono essere eseguite con cautela, ad intervalli regolari per garantire un'alta quantità di bevande versate dal distributore e per motivi di igiene.

- **AVVERTENZA:** Non collegare l'apparecchio ad una fonte di alimentazione e non avviarlo durante la pulizia o la manutenzione.
- Sollevare la parte superiore del coperchio e rimuoverlo per la pulizia e la manutenzione. Dopo aver terminato la pulizia e la manutenzione, installare il coperchio. Vedi: Fig.10.

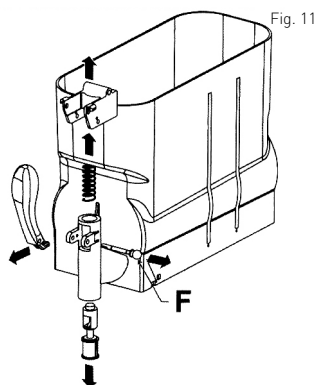


a) Svuotamento dei recipienti:

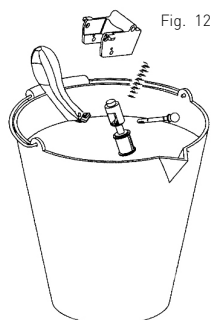
- Prima della pulizia, il recipiente deve essere svuotato di tutta la miscela residua.

b) Smontaggio del rubinetto del distributore:

- Assicurarsi che nel recipiente non vi siano i residui della bevanda.
- Prima di rimuovere il recipiente, rimuovere il rubinetto.
- Rimuovere il perno (F) per rimuovere altre parti.



- Per la pulizia dell'apparecchio utilizzare l'acqua pulita e calda.

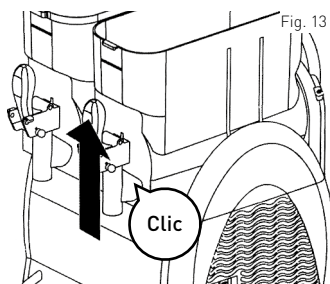


c) Rimozione del recipiente e del coperchio:

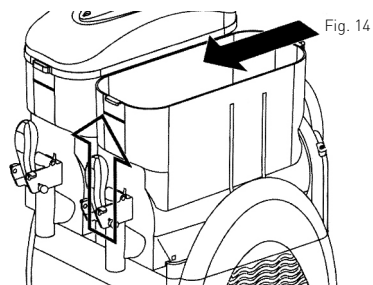
- Per rimuovere il coperchio (1) dal recipiente (2), seguire le istruzioni di seguito. Fig. 2:

- 1) Sollevare la parte posteriore del coperchio;
- 2) Rimuovere il coperchio (2) del gancio che si trova sulla parte anteriore del recipiente.

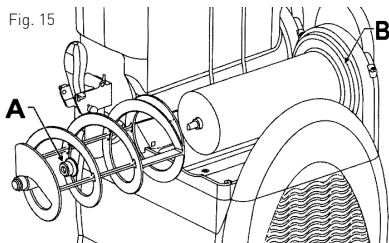
- Poi sollevare e sganciare la parte anteriore del recipiente.



- Poi rimuovere il recipiente spingendolo dolcemente da dietro. Il recipiente può esser rimosso.



- Alla fine rimuovere il dado (A) e l'anello di tenuta del serbatoio (B). Sostituire le parti (A) e (B), se sono usate; la sostituzione obbligatoria ogni 12 mesi.



d) Pulizia e disinfezione dell'apparecchio:

Attenzione: Tutte le parti soprannominate che sono rimosse devono essere lavate accuratamente e sottoposte alla disinfezione. Si raccomanda la pulizia e la disinfezione giornaliera per garantire un'alta qualità di dessert e bevande.

Per effettuare correttamente la pulizia e la disinfezione, seguire le istruzioni:

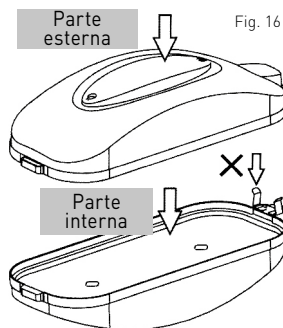
- Riempire un recipiente con acqua calda (50-60°C) e detersivo.
- Lavare accuratamente le parti rimosse con una soluzione di acqua e detersivo.
- Sciacquare con acqua calda.
- Immergere le parti rimosse nella soluzione e lasciare agire per circa 30 minuti.
- Poi lavare di nuovo le parti con acqua pulita.

- Mettere tutte le parti su una superficie asciutta e pulita e lasciare asciugare.
- Rimontare l'apparecchio in conformità con le istruzioni del punto e).
- Prima di riutilizzare il distributore, eseguire il ciclo di risciacquo con acqua pulita (Vedere punto f)).

AVVERTENZA ! Non immergere i coperchi dei recipienti con la lampadina in alcun liquido. Prima della pulizia assicurarsi che le lampadine sono bene montate in conformità con le seguenti istruzioni (Vedere fig. 27):

Il coperchio del recipiente con la lampadina deve essere pulito secondo le seguenti istruzioni:

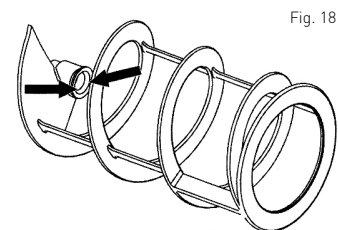
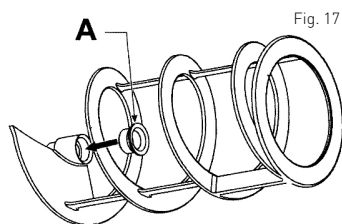
1. Utilizzando un panno pulito pulire la parte interna del coperchio del recipiente e la superficie esterna.
2. Utilizzando una spugna immersa nella soluzione di pulizia, eseguire per almeno 10 minuti la disinfezione della parte interna del coperchio facendo attenzione a non toccare le cerniere (X).
3. Lavare due o qualche volta con una spugna pulita imbevuta di acqua fresca e calda.
4. Asciugare con un panno asciutto e pulito.
5. Mettere di nuovo il coperchio sul recipiente lavato e disinfettato.



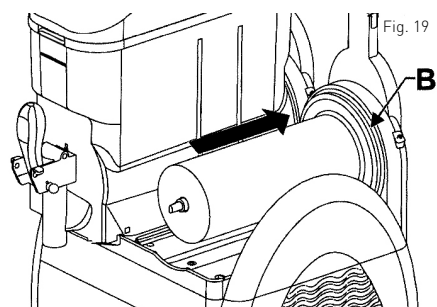
e) Rimontaggio delle parti lavate

Attenzione: Tutte le parti pulite devono essere nuovamente insalate con cura. Alcune parti devono essere prima lubrificate con il grasso fornito con l'apparecchio per garantire un buon funzionamento.

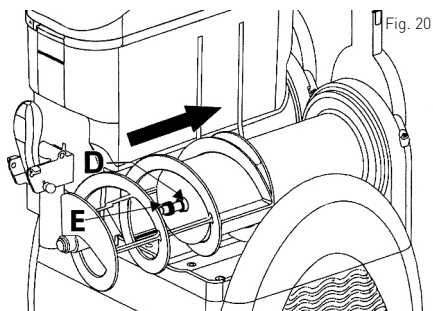
- Controllare sempre lo stato della guarnizione (A) – se è usurata, sostituirla con una nuova (le guarnizioni sono forniti con l'apparecchio).
- Il dado della vite senza fine (A) deve essere sostituito almeno ogni 12 mesi.
- Installare il dado della vite senza fine (A) in conformità con le istruzioni (Vedi: Fig.17).
- Lubrificare la parte interna del dado della vite senza fine (A) secondo la figura 18 utilizzando il grasso fornito con l'apparecchio.



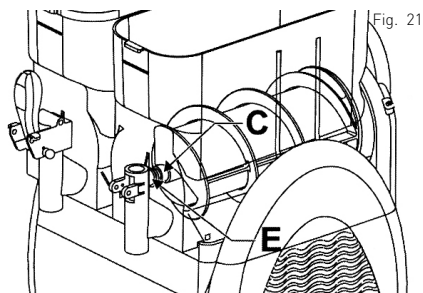
- Poi applicare l'anello di tenuta del recipiente (B) e applicare intorno il grasso in conformità con la figura presentata (Vedi: Fig.19).



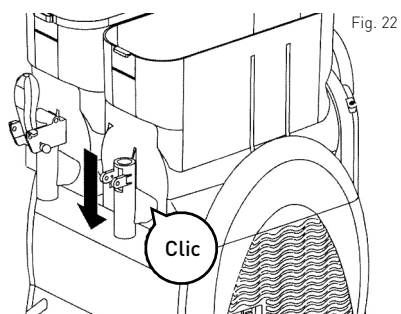
- Poi installare la vite senza fine e la rondella bianca (D) e nera (E) sull'albero. Girare la vite senza fine per fissarla.



- Poi installare il recipiente nel posto giusto e sollevare delicatamente la parte anteriore della vite, spostandolo nella posizione desiderata (E) rispetto al recipiente (Vedi: Fig. 21).

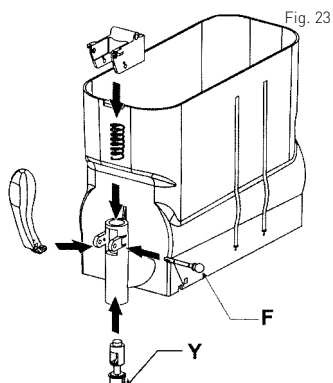


- Spingere delicatamente il recipiente per impostare la posizione corretta (Vedi: Fig. 22).



Seguire le istruzioni di seguito per reinstallare il rubinetto (7) :

- Mediante il grasso fornito con l'apparecchio, lubrificare il rubinetto (Y) e montare tutte le parti.
- Inserire il perno (F) tenendo la leva del rubinetto (Vedi: Fig.23).
- Sostituire l'anello di tenuta del rubinetto (C) se è usurato o in caso di perdite.



f) Risciacquo dell'apparecchi

Attenzione: Dopo la pulizia e prima di riutilizzo, eseguire il ciclo di risciacquo.

Istruzioni per effettuare il ciclo di risciacquo:

- Versare l'acqua pulita nel recipiente ;

g) Pulizia del vassoio salvagocci

Attenzione: Il vassoio salvagocci deve essere svuotato e pulito ogni volta quando l'indicatore di livello di riempimento si sposta. Il vassoio salvagocci deve essere pulito ogni giorno.

- Sollevare e rimuovere il vassoio salvagocci.
- Lavare separatamente il vassoio e la griglia con acqua tiepida.
- Asciugare bene entrambe le parti e installare la griglia sul vassoio salvagocci.
- Collegare il tubo di scarico dell'acqua nel foro corrispondente.
- Inserire il vassoio salvagocci nell'apparecchio e premere per fissarlo correttamente.

h) Coperchio con l'illuminazione

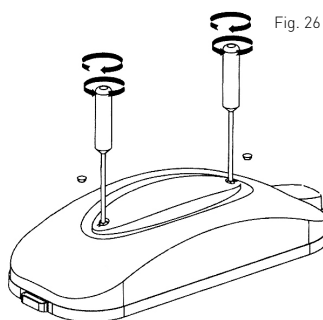
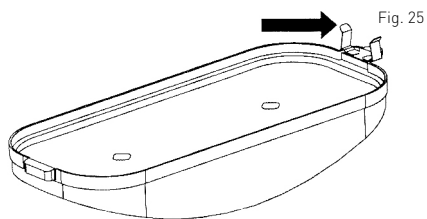
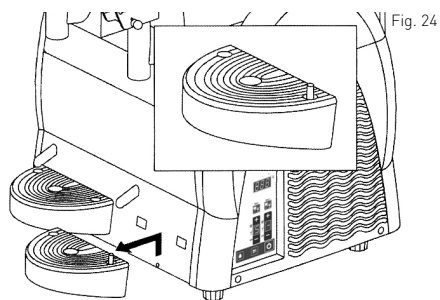
Attenzione: Durante la pulizia dare attenzione a non piegare, non rompere o danneggiare i "contatti". Tutti i danni ai contatti possono provocare un malfunzionamento del coperchio con l'illuminazione.

- I contatti del coperchio con l'illuminazione.
- Per la pulizia, immergere in acqua.

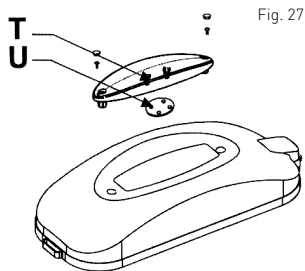
i) Sostituzione della lampadina

- La lampadina può essere sostituita solo quando l'apparecchio è spento e il cavo di alimentazione è scollegato dalla rete elettrica.
- Rimuovere i tappi di protezione. Poi, utilizzando un cacciavite adatto (non fornito) svitare le viti per rimuovere il coperchio.

- Mescolare il liquido per almeno 5 minuti nell'apparecchio.
- Spegnere e svuotare il recipiente svitando il rubinetto [7].



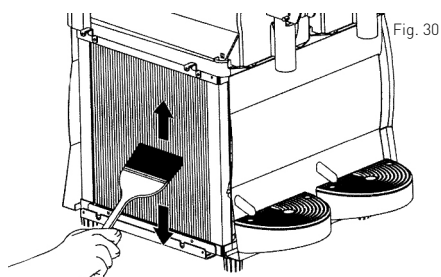
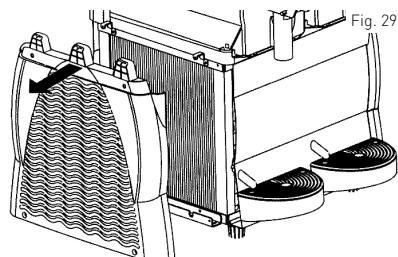
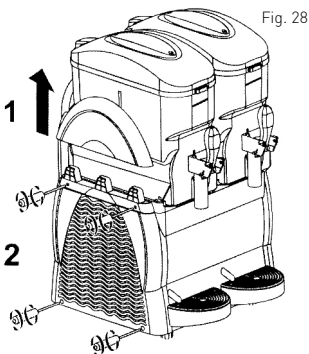
- Rimuovere la lampadina (U) del supporto (T). Sostituire la lampadina con una nuova (non fornita con l'apparecchio).



j) Pulizia del condensatore

- **Attenzione:** La pulizia del condensatore può essere effettuato solo da un tecnico qualificato, utilizzando gli strumenti appropriati.
- Il condensatore deve essere pulito regolarmente (almeno una volta ogni 6 mesi) per garantire il corretto funzionamento.
- Per accedere al condensatore, prima rimuovere il pannello di protezione.
- **AVVERTENZA:** La rimozione del pannello di protezione rivelerà tutte le parti taglienti dell'apparecchio.
- Per rimuovere il pannello di protezione, seguire le istruzioni:

- 1) Sollevare e rimuovere la parte superiore del pannello di protezione;
- 2) Rimuovere le 4 viti che fissano il pannello di protezione.
- 3) Dopo aver rimosso le 4 viti, rimuovere il pannello di protezione. (Vedi: Fig. 29)
- 4) Utilizzando il pennello asciutto (non fornito), rimuovere la polvere accumulata (Vedi: Fig. 30)
- 5) Dopo aver pulito precisamente il condensatore, reinstallare il pannello di protezione.



k) Manutenzione periodica

L'apparecchio deve essere soggetto a manutenzione periodica (almeno ogni 6 mesi) eseguito da un tecnico qualificato. La manutenzione periodica dell'apparecchio è progettata per garantire che l'apparecchio e tutte le sue parti sono completamente sicuri.

Se le parti sono usurati, sostituirle con pezzi di ricambio originali. Non utilizzare l'apparecchio, anche se da una delle sue parti è difettosa o usurata. La manutenzione periodica non può essere eseguita dall'utente.

Risoluzione dei problemi

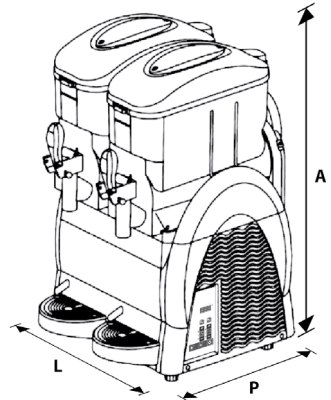
Se l'apparecchio non funziona correttamente, leggere la tabella qui sotto per trovare la soluzione corretta.

Se non è possibile risolvere il problema, contattare il rivenditore.

Problema	Causa possibile	Soluzione possibile
L'apparecchio non si avvia dopo aver collegarlo alla presa elettrica.	Il cavo di alimentazione e la spina non sono correttamente collegati alla presa elettrica.	Verificare di nuovo il collegamento. Assicurarsi che tutti gli elementi sono collegati correttamente.
Le perdite sul rubinetto del distributore.	Il rubinetto non è stato correttamente installato.	Rimuovere il rubinetto e verificare se è stato installato correttamente.
	Il pistone del rubinetto non è lubrificato.	Lubrificare il pistone del rubinetto.
	Il pistone del rubinetto è difettoso.	Contattare il rivenditore.
Le perdite della miscela nella parte posteriore del recipiente.	Il recipiente non è stato installato correttamente.	Verificare che il recipiente è montato correttamente e se necessario reinstallarlo.
	L'anello di tenuta del recipiente non è lubrificato.	Lubrificare l'anello di tenuta del recipiente.
	L'anello di tenuta del recipiente è danneggiato.	Sostituire l'anello di tenuta del recipiente.
La vite senza fine non gira.	La vite senza fine è stata bloccata dal ghiaccio nel recipiente.	Attendere fino a quando il ghiaccio si scioglie.
L'apparecchio non produce a granita.	La modalità „Granita“ non è stata impostata	Selezionare la modalità „Granita“.
	Il condensatore è sporco.	Pulire regolarmente il condensatore.
	La ventilazione insufficiente.	Garantire una ventilazione adeguata.
	L'apparecchio si trova troppo vicino ad una fonte di calore.	Posizionare l'apparecchio lontano dalla fonte di calore
La vite senza fine genera il rumore.	La guarnizione anteriore (A) non è correttamente applicata.	Controllare la posizione della guarnizione (A) e applicarla correttamente.
	La guarnizione anteriore (A) non è lubrificata	Lubrificare la guarnizione anteriore (A).
	La miscela è troppo densa.	Modificare la densità.
La granita ha macchie scure.	Il recipiente è sporco.	Spegnere e scollegare la spina dalla presa di corrente. Lavare accuratamente il recipiente.
	L'anello di tenuta della vite senza fine è sporco.	Pulire ancora una volta l'anello di tenuta.
Il rubinetto del distributore non distribuisce le quantità corrette.	Il rubinetto è stato bloccato dal ghiaccio.	Spegnere l'apparecchio e attendere che il ghiaccio si è sciolto.

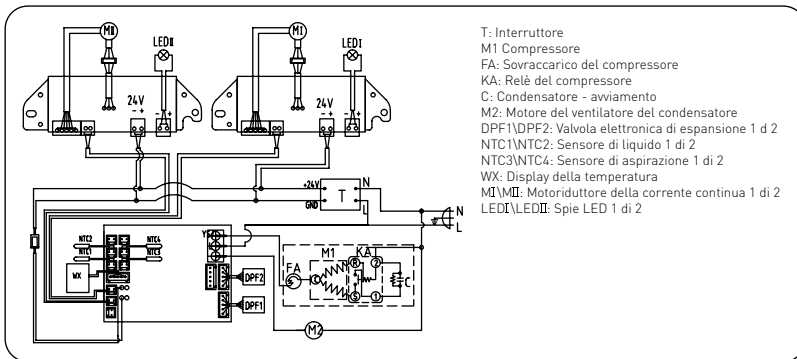
Specifiche tecniche

Numero del prodotto	274224
Dimensioni dell'apparecchio	P: 520mm x A: 810mm x L: 470mm
Peso (recipiente vuoto)	50kg
Consumo di potenza elettrica massimo (W)	850W
Tensione di funzionamento (V) & frequenza (Hz)	220-240V~ 50Hz
Temperatura durante il funzionamento	Min. 20°C mass. 32°C
Numero di recipienti	2
Capacità di ogni recipiente	12 litri + 12 litri
Livello di rumore	< 70 dB
Grado di protezione	Classe I
Coefficiente di tenuta	IPX0
Refrigerante / quantità	R404a / 450g
Peso netto (recipiente vuoto)	62kg
Classe climatica	N



Attenzione: Le specifiche tecniche sono soggette a modifiche senza preavviso.

Schema elettrico (prodotto n. 274224)





Impostazione dei parametri del dispositivo

AVVERTENZA: Non si raccomanda modificare le impostazioni perché le impostazioni di fabbrica esistenti sono ottimali. Le impostazioni esistenti

devono essere cambiate unicamente se è assolutamente necessario.

Modifica delle impostazioni

Premere  e mantenere premuto per circa 6 secondi. La temperatura sul display comincia lampeggiare. Premere „+” o „-”, per impostare il valore „15” (è un codice di accesso nella modalità di impostazioni).

Poi premere  qualche volta, per selezionare il parametro da modificare (i seguenti parametri appaiono sul display). I parametri da scegliere :

Display	Descrizione	Campo	Impostazioni di fabbrica
F1	La temperatura del recipiente I nella modalità „Succo”	1°C ~ 7°C	2°C
F2	La temperatura del recipiente II nella modalità „Succo”	1°C ~ 7°C	2°C
F3	Non riguarda		
C1	La protezione contro la temperatura troppo bassa	-3°C ~ 10°C	-5°C
C3	La protezione - la temperatura del liquido in uscita nella prima fase	5°C ~ 10°C	10°C
C4	La protezione - la temperatura del liquido in uscita nella seconda fase	3°C ~ 8°C	5°C
A1	La temperatura di compensazione per il recipiente I	-5°C ~ 5°C	0°C
A2	La temperatura di compensazione per il recipiente II	-5°C ~ 5°C	0°C
A3	Non riguarda		
E1	La differenza delle temperature nella modalità „Succo”	1°C ~ 5°C	2°C
E2	Ritardo del compressore	2 ~ 8 min	2 min

Garanzia

Qualsiasi difetto che influenza la funzionalità del dispositivo che compaia entro un anno dall'acquisto sarà corretto a titolo interamente gratuito o con la sostituzione del prodotto che è stato utilizzato e sottoposto a manutenzione corretta seguendo le istruzioni, senza alcuna violazione. I diritti legali del cliente non sono assolutamente modificati. Nel caso in cui l'intervento di manutenzione o sostitu-

zione sia previsto nel periodo di validità della garanzia, precisare dove e quando si è acquistato il prodotto, possibilmente allegando lo scontrino.

In linea con la nostra politica di sviluppo continuo dei prodotti, ci riserviamo il diritto di modificare il prodotto, l'imballo e le specifiche di documentazione, senza notifica alcuna.

Smaltimento e protezione dell'ambiente

In caso di ritiro dell'apparecchiatura dal funzionamento il prodotto non può essere smaltito con altri rifiuti domestici. L'utente è responsabile della consegna dell'attrezzatura al punto di raccolta appropriato per l'attrezzatura usata. Il mancato rispetto delle disposizioni sopramenzionate può comportare l'imposizione di sanzioni in conformità con le normative vigenti in materia di smaltimento dei rifiuti. La raccolta e il riciclaggio selettivi di attrezzature usate contribuiscono alla conservazione delle risorse naturali e garantiscono il rici-

claggio in modo tale da non nuocere alla salute e all'ambiente. Per ulteriori informazioni sui luoghi di smaltimento delle apparecchiature usate per il riciclaggio, contattare la società locale di raccolta dei rifiuti. Il produttore e l'importatore non sono responsabili per il riciclaggio e il trattamento dei rifiuti in modo ecologico, sia direttamente che nel quadro del sistema pubblico.

Stimate client,



Vă mulțumim pentru achiziționarea acestui aparat Arctic. Vă rugăm să citiți cu atenția acest manual înainte de a conecta aparatul pentru evitarea defectării ca urmare a utilizării incorecte. Acordați o atenție deosebită regulilor de siguranță.

Reguli de siguranță

- Operarea incorectă și utilizarea necorespunzătoare a aparatului poate avaria grav aparatul și poate cauza răni oamenilor.
- Aparatul este utilizat exclusiv în scopuri comerciale și nu trebuie folosit pentru uz casnic.
- Aparatul poate fi folosit doar în scopul pentru care a fost proiectat. Producătorul nu este răspunzător pentru orice avariere cauzată operării incorecte și a utilizării necorespunzătoare.
- Asigurați-vă că aparatul și ștecherul nu intră în contact cu apă sau alte lichide. În cazul în care aparatul este scăpat în apă, scoateți imediat ștecherul din priză și un tehnician autorizat trebuie să-l verifice. Dacă nu respectați aceste instrucțiuni, acest lucru poate cauza situații care vă pot pune viața în pericol.
- Nu încercați să deschideți singuri carcasa aparatului.
- Nu introduceți nici un fel de obiecte în carcasa aparatului.
- Nu atingeți ștecherul cu mâinile ude sau umede.
- **Pericol de electrocutare!** Nu încercați să reparați singur/ă aparatul. În cazul unei defecțiuni, reparațiile vor fi efectuate întotdeauna numai de personal calificat.
- **Nu utilizați niciodată un aparat defect!** Deconectați aparatul de la priza electrică și contactați distribuitorul în cazul unei defecțiuni.
- **Avertisment!** Nu scufundați părțile electrice ale aparatului în apă sau în alte lichide. Nu țineți niciodată aparatul sub jet de apă.
- Verificați în mod regulat ștecărul și cablul pentru a vă asigura că nu sunt deteriorate. În cazul în care ștecărul sau cablul de alimentare este deteriorat, acesta trebuie înlocuit de agentul de service sau de alt personal calificat similar pentru a evita orice pericol.
- Cablul nu trebuie să intre în contact cu obiecte ascuțite sau fierbinți și trebuie păstrat departe de foc. Pentru a scoate ștecărul din priză, trageți întotdeauna de ștecăr, nu de cablu.
- Asigurați-vă că nimeni nu poate trage din greșeală cablul (sau prelungitorul) și că nimeni nu se poate împiedica de el.
- Supravegheați întotdeauna aparatul atunci când este în funcțiune.
- Avertisment! Atât timp cât ștecărul este în priză, aparatul este conectat la sursa de electricitate.
- Oprii aparatul înainte de a scoate ștecărul din priză.
- Nu cărați niciodată aparatul ținându-l de cablu.
- Nu utilizați dispozitive suplimentare care nu sunt livrate împreună cu aparatul.
- Conectați aparatul doar la prize electrice cu intensitatea și frecvența electrice menționate pe eticheta aparatului.

- Conectați cablul de alimentare la o priză electrică ușor accesibilă, astfel încât aparatul să poată fi deconectat imediat în caz de urgență. Scoateți cablul de alimentare din priza electrică pentru a opri complet aparatul. Utilizați cablul de alimentare ca dispozitiv de deconectare.
- Opriți întotdeauna aparatul înainte de a deconecta cablul de alimentare.
- Nu utilizați niciodată accesorii care nu sunt recomandate de către producător. Acestea pot reprezenta un risc de siguranță pentru utilizator și pot deteriora aparatul. Utilizați numai piese și accesorii originale.
- Acest aparat nu trebuie folosit de copii sau persoane care au capacități mentale, senzoriale sau fizice reduse, sau lipsă de experiență și cunoștințe.
- Acest aparat nu trebuie utilizat sub nicio formă de către copii.
- Nu țineți produsul și cablurile sale la îndemâna copiilor.
- Copiii nu trebuie să se joace cu acest produs.
- Deconectați întotdeauna aparatul de la sursa de alimentare în cazul în care este lăsat nesupravegheat, precum și înainte de asamblare, dezasamblare sau curățare.
- Nu lăsați niciodată aparatul nesupravegheat pe parcursul utilizării.

Reguli speciale de siguranță

- Acest aparat trebuie utilizat și întreținut de lucrători specializați și instruiți din rândul personalului de la bucătăria restaurantului sau de la bar.
- **Atenție! Risc de incendiu!** Agentul de răcire utilizat este R404a. Utilizarea oricărei alte substanțe poate expune utilizatorii și operatorii la riscuri de siguranță și de incendiu.
-  **AVERTISMENT:** Opriți aparatul înainte de a-i deschide carcasa/capacul și de a pătrunde în el, din cauza pericolului de tragere înăuntru.
-  **AVERTISMENT:** Lichidul refrigerent împrăscat pe piele poate provoca leziuni grave ale pielii. Protejați ochii și pielea. Dacă se produc arsuri ale pielii provocate de refrigerent, spălați imediat cu apă rece. Dacă se produce o arsură gravă, puneți gheață pe locul rănit și solicitați imediat asistență medicală.
- **AVERTISMENT:** Nu obstrucționați orificiile pentru ventilație de pe carcasa aparatului. La montaj trebuie asigurat că structura din jur permite o bună ventilație. Nu blocați niciodată intrarea și ieșirea aerului pentru a preveni supraîncălzirea.
- Țineți aparatul la distanță de suprafețele fierbinți și de focul deschis. Protejați aparatul contra căldurii, prafului, luminii solare directe, umezelii, picăturilor și apei împrăscate.
- Nu suprafața de sticlă cu instrumente dure. Nu folosiți niciodată jeturi de apă, nu turnați direct apă peste aparat și nu curățați aparatul cu abur deoarece piesele se vor uda ceea ce ar duce la scurt-circuite.
- Nu puneți obiecte pe aparat. Nu puneți obiecte care conțin surse de foc (de exemplu, lumânări) pe aparat sau lângă acesta. Nu așezați obiecte care conțin apă (de exemplu vase) pe sau lângă aparat.
- Nu acoperiți niciodată aparatul în timpul utilizării. Acest lucru poate prezenta un pericol de incendiu.
- Nu faceți goluri suplimentare în aparat. Nu instalați alte dispozitive în aparat.
- Nu încercați să vă urcați pe aparat.

Instalarea aparatului

- Toate operațiile de exploatare și instalare trebuie executate exclusiv de personal specializat care trebuie să organizeze toate succesiunile operațiilor de exploatare și de instalare cu ajutorul unor instrumente adecvate, în strictă conformitate cu normele aplicabile.
- Acest aparat trebuie instalat în interior, în spații bine ventilate, pe suprafețe plane, orizontale, uscate, ferme și solide.
- Aparatul trebuie să funcționeze sub supraveghere, în locuri de unde poate fi monitorizat în timpul funcționării de personalul instruit pentru aceasta.
- Acest aparat poate fi utilizat în locuri în care temperatura ambiantă se situează între 20°C și 32°C.
- La instalare, în spatele și în părțile laterale ale aparatului trebuie lăsat un spațiu liber de cel puțin 25 cm. Recomandăm insistent ca aparatul să fie instalat în locuri cu o bună ventilație naturală pentru ca ventilația să se facă mai bine.
- În jurul aparatului trebuie lăsat suficient spațiu liber pentru a da posibilitatea personalului specializat să lucreze fără piedici/dificultăți. De asemenea, personalul specializat trebuie să poată părăsi locul respectiv imediat, în caz de urgență.
- Aparatul nu este adecvat montării în locuri în care se pot folosi jeturi de apă.
- **AVERTISMENT:** Priza electrică de alimentare trebuie situată în locuri la îndemâna utilizatorului. Trebuie ca deconectarea de la rețea în caz de necesitate să poată fi făcută fără efort.
- Pentru ungerea tuturor pieselor indicate în manual, după operațiile de spălare și igienizare, folosiți lubrifianțul furnizat.
- În cazul în care cordonul de alimentare este deteriorat, el trebuie înlocuit de producător/un tehnician specializat.
- Este interzisă utilizarea de prelungitoare de orice tip, înlocuirea ștecherului original sau utilizarea de adaptoare exterioare.

Componente electrice și alte pericole

- Niciun alt aparat nu trebuie cuplat la priza la care este cuplat acest aparat.
- Așteptați cca 5 minute înainte de a porni aparatul din nou după ce aparatul a fost oprit sau scos din priză.
- Nu scufundați aparatul în apă. La spălare se pot produce scurgeri, ceea ce va crește riscul de scurt-circuit. Nicio piesă/accesoriu ale aparatului nu pot fi puse în mașina de spălat vase.

Destinația produsului

- Acesta este un aparat de uz profesional și poate fi utilizat numai de către personalul calificat.
- Acest aparat este conceput exclusiv pentru dispensarea băuturilor reci.
- Utilizarea aparatului în orice alt scop reprezintă o utilizare incorectă. Utilizatorul este singurul răspunzător de orice utilizare incorectă a aparatului.

Instalația de împământare

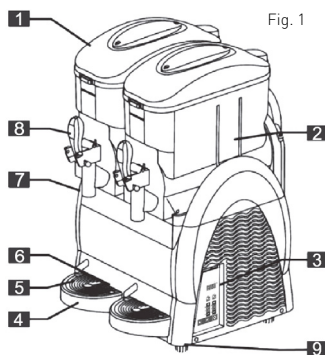
Acest aparat este încadrat în clasa de protecție I și trebuie împământat. Împământarea reduce riscul electrocutării prin asigurarea unui fir de ieșire pentru curentul electric. Acest aparat este dotat cu

un cablu cu fir de împământare cu fișă. Fișa trebuie conectată la o priză instalată corespunzător și împământată.

Principalele componente ale aparatului

Mașina cuprinde principalele componente principale:

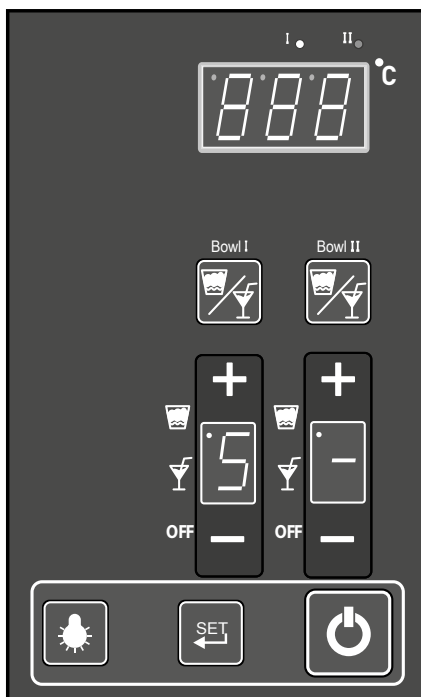
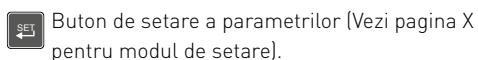
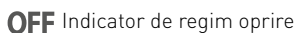
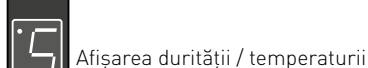
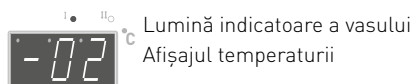
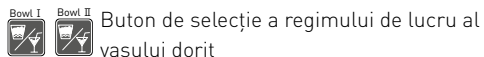
1. Capacul vasului
2. Vas
3. Panou de comandă
4. Tava de scurgere detașabilă
5. Grătarul
6. Flotorul (indicatorul de preaplin)
7. Robinete de dozare
8. Mânere
9. Picioare



Pezzi di ricambio

- (A). Tappo della vite senza fine x 1
- (B). Anello di tenuta del recipiente x 1
- (C). Anello di tenuta del rubinetto del distributore x 10
- (D). Rondella bianca dell'albero della vite senza fine x 2
- (E). Rondella nera dell'albero della vite senza fine x 2
- (F). Tubo di grasso x1

Panou de comandă



RO

Pregătirea înainte de prima utilizare

- Desfaceți ambalajul și învelitoarea de protecție.
- Verificați integralitatea aparatului și prezența tuturor accesoriilor (lubrifiant, șaibă, capac)
- În cazul de livrare incompletă sau de avarii. Luați legătura cu furnizorul (Vezi == > Garanția).
- Buna funcționare a aparatului trebuie controlată de personal specializat.

- Curățați toate componentele conform descrierii (vezi == > Curățarea și întreținerea).

Attenzione: Resturile rămase din fabricație pot face ca aparatul să emită un ușor miros în timpul primelor cicluri de funcționare. Acest lucru este normal și nu este un semn de defecțiune sau de pericol. Asigurați-vă că aparatul este bine ventilat.

Modul de utilizare

a) Prepararea ingredientelor alimentare:

- Diluați și amestecați CONCENTRATUL cu APĂ într-un recipient adecvat, conform rețetelor producătorului.

AMESTECUL OBTINUT TREBUIE SĂ AIBĂ UN CONȚINUT MINIM DE ZAHĂR CONȚINUT DE 13°BRIX. O concentrație mai redusă poate avaria melcii și/sau ansamblurile motor-reductor.

- **AVERTISMENT:** Temperatura ingredientelor alimentare nu trebuie să depășească niciodată 25°C.
- **AVERTISMENT:** Nu se va folosi niciodată exclusiv apă.

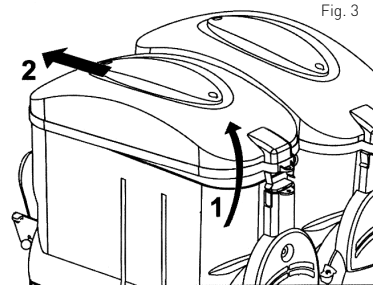


Fig. 3

b) Introducerea ingredientelor alimentare în aparat:


- **AVERTISMENT:** Ingredientele alimentare trebuie turnate în vasul (2) doar când aparatul este oprit și scos din priză electrică.
- Pentru scoaterea capacului (1) al vasului (2), respectați prezentele instrucțiuni (Vezi : Fig.3):
 - 1) Ridicați partea din spate a capacului;
 - 2) Scoateți capacul (1) din opritorul situat în partea frontală.

- Turnați ingredientele alimentare în vasul (2) dar cu atenție să nu depășiți „NIVELUL MAXIM”. (Vezi Fig. 4). (Nu turnați lichid fierbinte pentru a evita pericolele.)

- După ce ați turnat/reumplut vasul (2) cu ingredient alimentar, închideți capacul (1) din partea de sus a vasului (2). Vezi Fig. 5.

AVERTISMENTE:

1. Nu porniți niciodată aparatul cât timp capacul nu este la locul lui. Înainte de a scoate capacul, opriți mașina și deconectați-o de la sursa de alimentare.

2.  În interiorul vasului există câteva piese în mișcare care pot provoca accidentări; înainte de a efectua orice intervenție opriți aparatul și scoateți-l din priză.

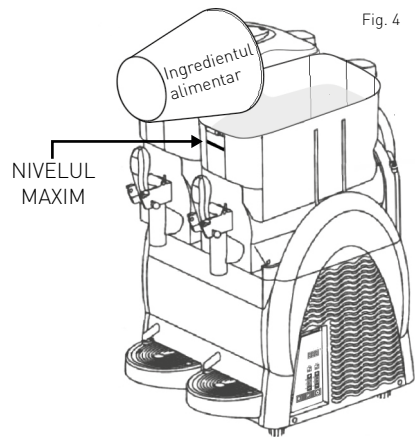


Fig. 4

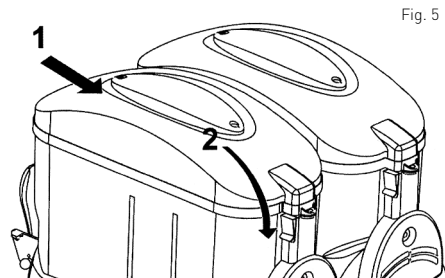








Fig. 5




c) Pornirea aparatului:

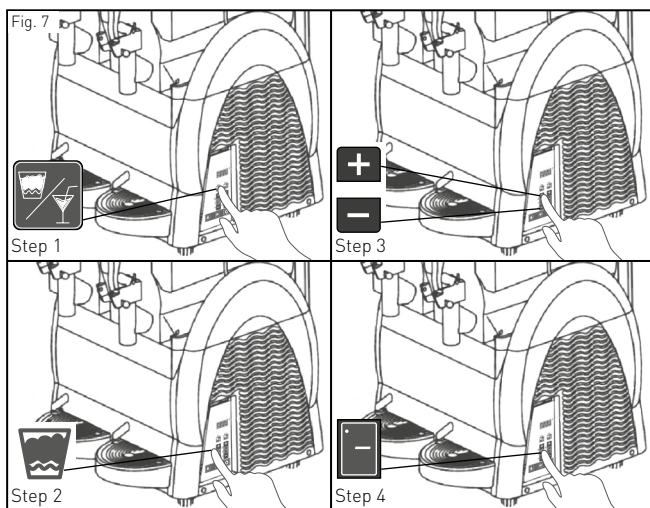
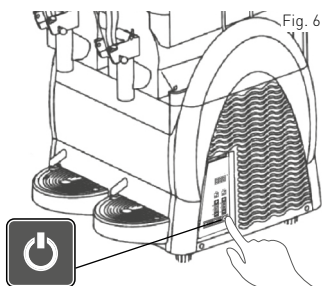
Fiecare vas este controlat independent.

- Mai întâi introduceți ștecherul într-o priză electrică adecvată.
- Apoi apăsați  pentru a porni aparatul. Țineți apăsat  timp de 3 secunde pentru a trece în regim STANDBY în perioada în care aparatul nu este utilizat. Vezi Fig. 6.
- Apoi apăsați butonul corespunzător ( sau ). Și apăsați-le succesiv pentru a selecta regimul de funcționare. Există 3 regimuri de lucru.




(Granita , suc  sau OPRIT **OFF**). Acestea se vor afișa succesiv și se va aprinde pictograma respectivă.

l). Pentru a servi Granita

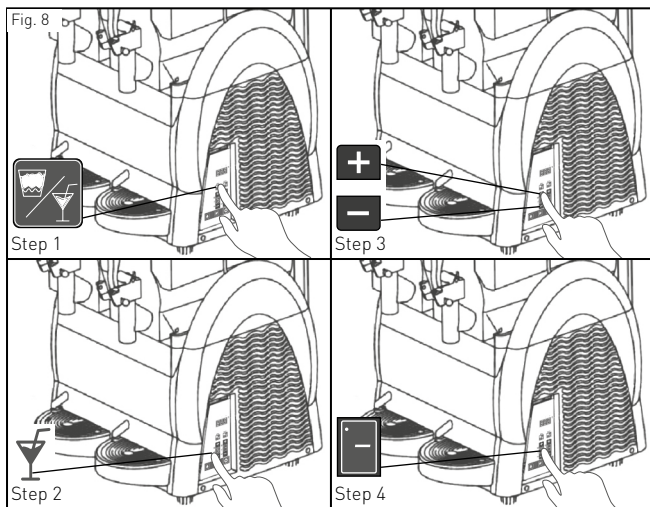
- Apăsați butonul corespunzător ( sau ).
- Apoi apăsați succesiv pentru a selecta regimul Granita;  se va aprinde.
- Apoi apăsați succesiv „+” sau „-” pentru a regla duritatea. Nivelul este situat între 1 (moale, cu conținut ridicat de apă) și 7 (dur, cu conținut scăzut de apă). Vezi Fig. 7.





II). Pentru a servi băuturi reci

- Apăsați butonul corespunzător ( sau ).
- Apoi apăsați succesiv pentru a selecta regimul pentru suc;  se va aprinde.

- Apoi apăsați succesiv "+" sau "-" pentru a selecta temperatura dorită (de la 1°C ~ 7°C).





III). Pentru oprirea lucrului

- Apăsați butonul corespunzător ( sau ).

- Apoi apăsați succesiv până la **OPRIRE OFF** se va aprinde. După aceasta amestecarea și răcirea se vor opri.

RO

d) Pentru curățarea simplă a vasului corespunzător:

- Țineți apăsat butonul corespunzător vasului respectiv ( sau ) timp de aproximativ 6 secunde.
- Ventilul vasului respectiv va fi deschis complet timp de aproximativ 3 minute pentru curățare. Cât durează acest regim de funcționare, afișajul va afișa "°C".

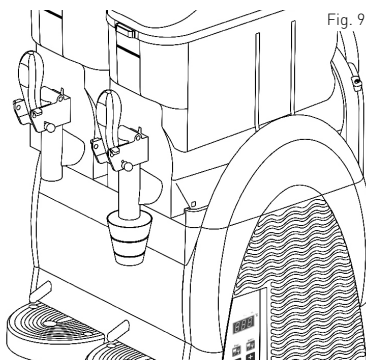
Atenție: În acest regim ventilul cu solenoid al vasului respectiv se va deschide și nu va mai trece gazul refrigerent. Dar melcul va merge în continuare pentru curățare. Umpleți cu apă caldută și curată vasul, dar netrecând de „NIVELUL MAXIM”. Nu introduceți mâna în vas. Opriți aparatul și scoateți-l din priză pentru a curăța și igieniza aparatul.

e) Distribuția granitei

- Pentru distribuția produsului alimentar, trageți maneta robinetului.

Notă:

- Verificați regulat temperatura băuturilor din vasul (2). Țineți mașina în mers cât timp în vas se mai află produse alimentare.
- Dacă mașina nu este ținută în funcțiune, cantitatea mică rămasă în zona robinetului trebuie mai întâi eliminată și abia apoi serviți clienții.



Curățarea și întreținerea

Atenție:

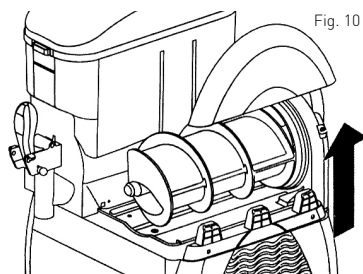
- Treceți întotdeauna întrerupătorul la OFF, de pe panoul de comandă (3) și scoateți aparatul din priză înainte de a-l curăța și de a face întreținerea. Acest lucru se face doar de către persoane specializate.

Curățare :

- Curățați suprafețele exterioare și interioare cu o cârpă umedă și puțin detergent.
- Nu curățați aparatul cu jet de apă sau în mașina de curățat cu aburi și nici nu îl scufundați în apă.
- Niciuna din componente nu poate fi curățată în mașina de spălat vase.
- Niciuna din componente nu poate fi uscată în cuptorul cu microunde.
- Nu folosiți bureți abrazivi și/sau metalici pentru a curăța mașina și componentele sale.
- Vasul trebuie curățat și igienizat cel puțin o dată pe zi.
- Curățarea și igienizarea sunt operațiuni ce trebuie efectuate cu grijă și în mod regulat, pentru a garanta calitatea băuturilor distribuite și menținerea igienei.

- Înainte de efectuarea operațiunii de curățare și întreținere asupra mașinii, trebuie purtat echipament individual de protecție cum ar fi mănușile, ochelarii de protecție etc.

- **Avertisment:** Nu puneți aparatul în priză și nu îl porniți în timp ce faceți curățarea și întreținerea.
- Ridicați partea superioară a protecției și scoateți-o pentru a face curățenia și întreținerea. După ce aceste operații s-au încheiat, montați la loc piesa pe aparat. Vezi Fig. 10.



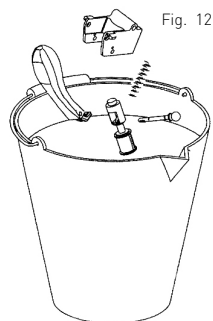
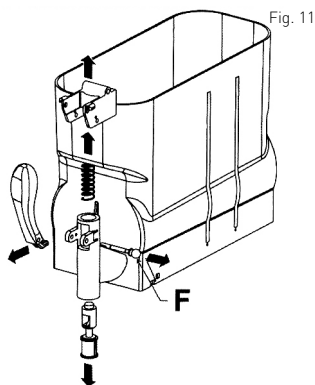
a) Golirea vaselor:

- Înainte de a putea curăța un vas, el trebuie golit mai întâi de tot conținutul de produs alimentar.

b) Demontarea robinetului distribuitor:

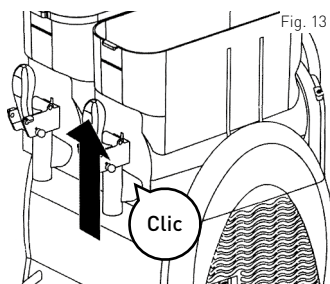
- Verificați ca din vas să fi fost evacuat tot produsul alimentar.
- Demontați robinetul înainte de a scoate vasul.
- Scoateți știftul (F) pentru a degaja toate celelalte piese.

- Folosiți apă curată și caldă pentru spălarea pieselor.

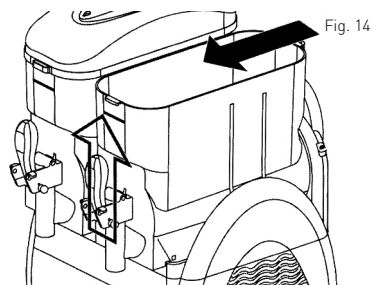


c) Scoateți vasul și capacul:

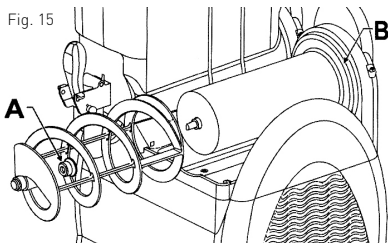
- Pentru scoaterea capacului (1) al vasului (2), mai întâi aplicați prezentele instrucțiuni (Vezi Fig. 2):
 - 1) Ridicați partea din spate a capacului;
 - 2) Scoateți capacul (1) din opritorul situat în partea frontală.
- Apoi ridicați partea frontală a vasului pentru a-l elibera.



- Apoi scoateți vasul din poziția în care se află împingându-l ușor în spate. În acest moment vasul este detașat.



- În cele din urmă scoateți melcul și scoateți capacul garniturii (A) și garnitura inelară (B) a vasului. Acestea se înlocuiesc în momentul în care s-au uzat sau la fiecare 12 luni.



d) Spălarea și igienizarea componentelor:

Atenție: Toate componentele demontate ca mai sus trebuie bine spălate și igienizate. Recomandăm insistent curățarea și igienizarea zilnică a aparatului pentru menținerea unei calități ridicate a alimentelor.

Pentru efectuarea corectă a acestei proceduri, acționați după cum urmează:

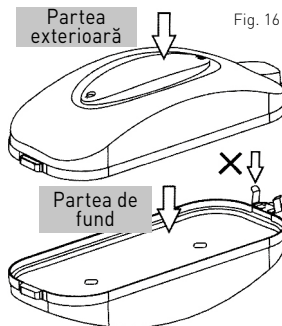
- Umpleți un recipient cu detergent și apă caldă la o temperatură de 50-60°C;
- Spălați bine piesele demontate cu soluția de detergent.
- Clătiți cu apă fierbinte.
- Cufundați componentele demontate în soluție și lăsați la muiat timp de 30 de minute.

- Apoi spălați din nou componentele cu apă curată.
- Amplasați la uscat diversele piese pe o suprafață uscată și curată și uscați bine piesele.
- Montați aparatul așa cum se descrie la de mai jos, partea e).
- Înainte de a refolosi aparatul clătiți-l bine cu apă curată. (Vezi mai jos, partea f)).

Avertisment ! Nu scufundați capacele vaselor cu becurile respective în niciun fel de lichid. Înainte de curățare, verificați dacă becul este scos de pe aparat, așa cum se descrie mai jos (Vezi fig. 27):

Pentru a curăța capacul luminat, ca mai jos:

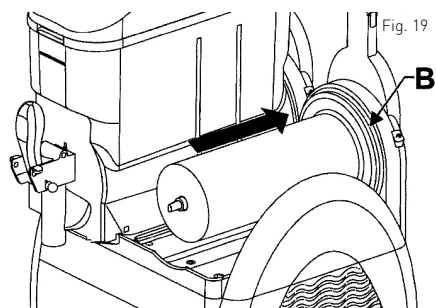
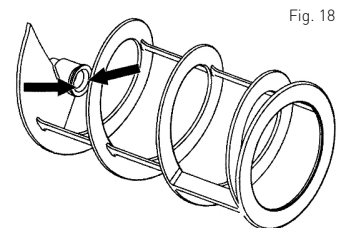
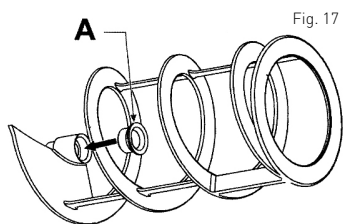
1. Utilizați o cârpă curată și umezită pentru a curăța partea de jos a capacului vasului și suprafața lui exterioară.
2. Utilizați un burete cufundat într-o soluție de spălat, igienizați fundul vasului, cu atenție să nu atingeți balamaua (X) timp de aproximativ 10 minute.
3. Clătiți de două sau de mai multe ori cu un burete curat, muiat în apă proaspătă caldută.
4. Uscați cu o cârpă uscată și curată.
5. Puneți la loc capacul doar după ce vasul a fost curățat și igienizat.



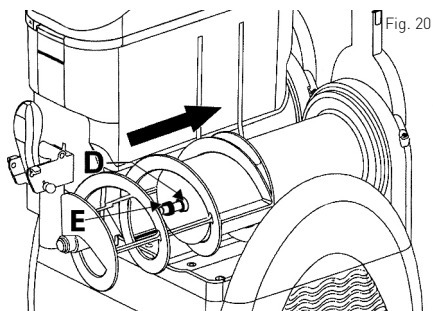
e) Montați la loc componentele spălate

Atenție: Toate componentele spălate trebuie montate la loc cu atenție. Unele componente trebuie lubrifiate în mod adecvat cu ajutorul lubrifianului furnizat, pentru a vă asigura că acestea funcționează eficient.

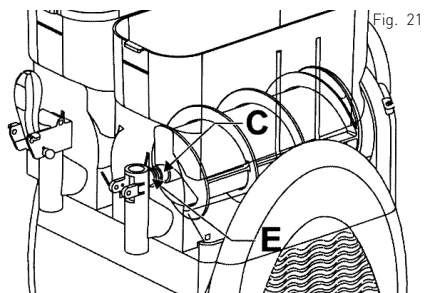
- Verificați întotdeauna integritatea garniturii (A): dacă aceasta se uzează, înlocuiți-o cu una nouă (furnizată).
 - Înlocuiți capacul (A) al garniturii melcului timp de cel puțin 12 luni.
 - Montați capacul (A) al garniturii melcului, așa cum se arată mai jos (vezi Fig. 17).
 - Lubrifiați capacul (A) al garniturii melcului, așa cum se arată în Fig. 18, folosind lubrifianul (furnizat).
-
- Apoi introduceți garnitura inelară a vasului (B) și ungeți cu lubrifianul furnizat în jurul lui, așa cum se arată mai jos (vezi Fig. 19).



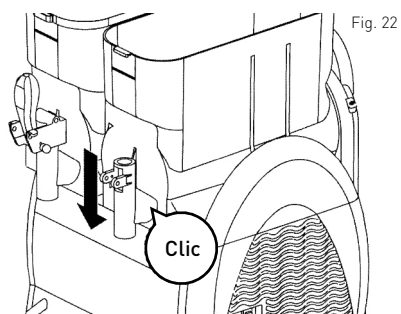
- Apoi introduceți melcul cu șaiba albă (D) și șaiba neagră (E) pe ax. Rotiți melcul pentru a-l cupla.



- După aceasta, puneți vasul la loc, ridicați ușor capul melcului ca să se alinieze cu poziția (E) a vasului (vezi Fig. 21).

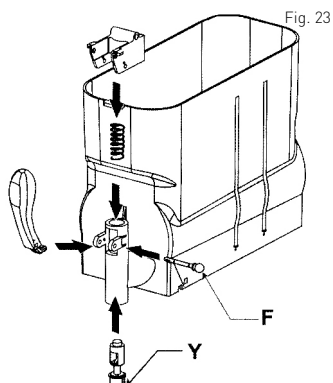


- Apăsăți ușor vasul în jos până când se cuplează în poziția corectă (vezi Fig. 22).



Pentru montarea robinetului (7) aplicați instrucțiunile de mai jos:

- Folosind lubrifianțul livrat, gresați bine capacul (Y) și montați la loc componentele
- Montați bolțul (F) ținând robinetul la același nivel (vezi Fig. 23).
- Înlocuiți garnitura inelară (C) dacă e uzată sau are scurgeri.



f) Clătirea aparatului

Atenție: Înainte de a porni aparatul după o curățare trebuie să îl clățiți bine.

Procedurile sunt următoarele:

- Turnați apă curată în vas;

g) Curățarea tăvii de scurgere

Atenție: Tava de scurgere trebuie golită și curățată de fiecare dată când flotorul roșu al grătarului se ridică și e vizibil. Tava trebuie curățată zilnic.

- Ridicați tava cu grătarul deasupra ei și trageți-o în afară.
- Spălați separat tava și grătarul, folosind apă caldă.
- Uscați bine ambele piese și puneți grătarul la loc peste tavă.
- Introduceți furtunul de scurgere în deschizătura existentă.
- Montați la loc tava și apăsați-o pentru a o fixa pe aparat.

h) Capac cu iluminare

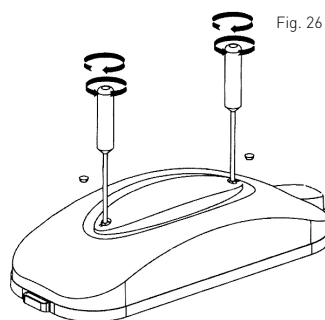
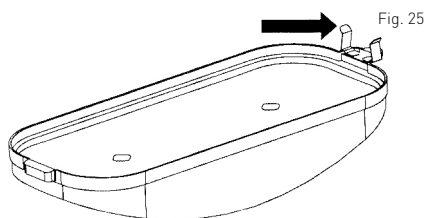
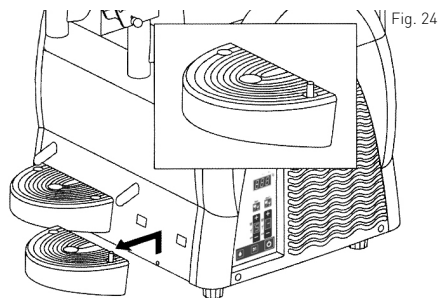
Atenție: În timpul curățării trebuie avut grijă să nu îndoțiți, să rupeți sau să deteriorați „contactele”. Orice avarie poate duce la proasta funcționare a capacului cu iluminare.

- Curățați contactele capacului cu o cârpă umedă și uscați bine. Aparatul trebuie întotdeauna oprit.
- Nu scufundați în apă pentru curățare.

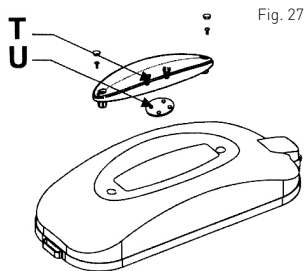
i) Înlocuirea becului

- Becul se înlocuiește doar când aparatul este oprit iar cordonul de alimentare scos din priză.
- Apoi scoateți capacele de protecție. După care, cu ajutorul unei șurubelnițe adecvate (nelivrate), slăbiți șuruburile pentru a îndepărta capacul.

- Lăsați aparatul să meargă timp de cel puțin 5 minute în regim de agitare”
- Opriti aparatul și goliți vasul deschizând robinetul [7].

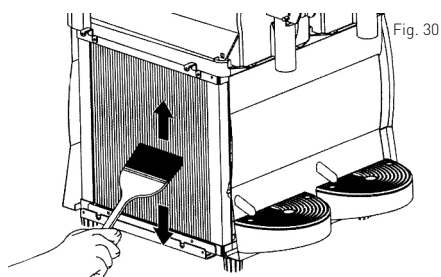
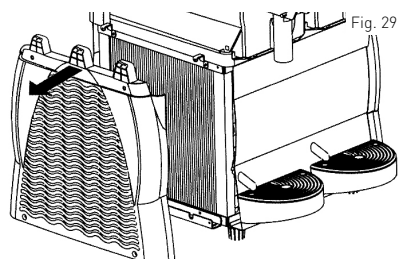
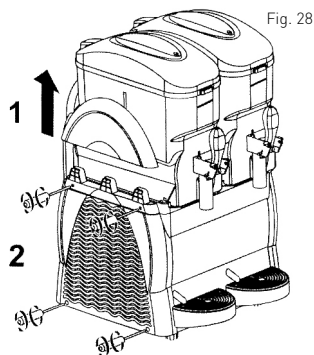


- Scoateți becul (U) din fasungul (T). Înlocuiți-l cu un bec nou (nelivrat).



j) Curățarea condensatorului

- **Atenție:** Acest condensator poate fi curățat doar de un tehnician specializat care să organizeze întreaga succesiune a operațiilor și să folosească scule/echipamente adecvate.
- Condensatorul trebuie curățat regulat (cel puțin o dată la 6 luni) pentru ca aparatul să funcționeze bine.
- Pentru a ajunge la condensator trebuie demontate apărătoarele de siguranță.
- **Avertisment:** Îndepărtarea apărătoarelor de siguranță va expune unele piese ascuțite ale aparatului.
- Pentru a îndepărta panoul de siguranță, procedați după cum urmează:
 - 1) Ridicați și demontați partea superioară a apărătoarei laterale;
 - 2) Slăbiți cele 4 șuruburi care fixează apărătoarea.
 - 3) După ce ați scos cele 4 șuruburi, scoateți și apărătoarea. (Vezi Fig. 29)
 - 4) Cu ajutorul unei perii uscate (nelivrate) pentru a îndepărta praful care s-a adunat în timpul utilizării. (Vezi Fig. 30)
 - 5) După ce ați curățat bine condensatorul, montați la loc apărătoarea protecție.



k) Întreținerea periodică

Aparatul trebuie verificat periodic (cel puțin la fiecare 6 luni) de un tehnician specializat. Această verificare regulată servește pentru a verifica dacă piesele instalate și aparatul propriu-zis se află la un nivel înalt de siguranță.

Orice componentă uzată trebuie înlocuită cu o piesă de schimb originală. Este interzisă utilizarea aparatului chiar dacă o singură componentă a acestuia este defectă sau uzată. Utilizatorilor li se interzice să facă întreținerea periodică.

Depanarea

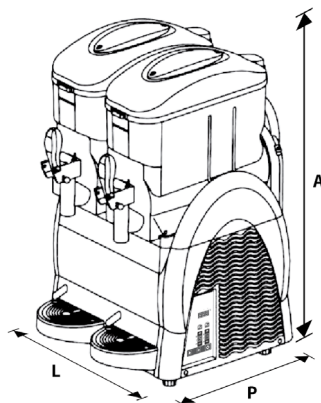
Dacă aparatul nu funcționează bine consultați tabelul de mai jos pentru a găsi soluția.

Dacă tot nu puteți rezolva problema luați legătura cu furnizorul/agentul de service.

Problemă	Cauză posibilă	Soluție posibilă
Aparatul nu funcționează după ce a fost conectat la priză	Cordonul și ștecherul nu se conectează ferm și corect la priză	Verificați din nou conexiunea. Verificați dacă toate conexiunile sunt bine fixate.
Scurgere la robinetul de dozare	Robinetul nu este montat corect	Demontați și verificați din nou poziția.
	Pistonul robinetului nu este lubrifiat	Lubrifiați pistonul robinetului
	Pistonul robinetului este defect	Luați legătura cu furnizorul
Alimentul se scurge prin spatele vasului	Vasul nu este montat corect.	Verificați din nou poziția și montați din nou vasul.
	Garnitura inelară a vasului nu este lubrifiată.	Lubrifiați garnitura inelară a vasului.
	Garnitura inelară a vasului este defectă.	Înlocuiți cu o nouă garnitură inelară a vasului.
Melcul nu se rotește	Melcul este blocat de gheața din vas.	Lăsați ca mai întâi gheața să se topească.
Aparatul nu prepară granita	Regimul de lucru nu este "Granita"	Selectați regimul "Granita"
	Condensatorul este murdar.	Curățați regulat condensatorul.
	Ventilația nu este suficientă	Asigurați o ventilație suficientă
	Aparatul se găsește lângă o sursă de căldură.	Îndepărtați aparatul de sursa de căldură
Melcul face zgomot în timpul funcționării	Garnitura frontală (A) este montată incorect.	Verificați din nou și montați garnitura frontală (A) în mod corect.
	Garnitura frontală (A) nu este lubrifiată	Lubrifiați garnitura frontală (A).
	Consistența este prea groasă	Schimbați consistența.
Granita are pete negre	Vasul este murdar.	Opriiți aparatul și scoateți-l din priză. Curățați complet vasul.
	Garnitura inelară a melcului este murdară..	Curățați din nou garnitura inelară.
Robinetul dozator nu curge corect	Robinetul este blocat de gheață	Opriiți aparatul pentru a lăsa gheața să se topească.

Specificația tehnică

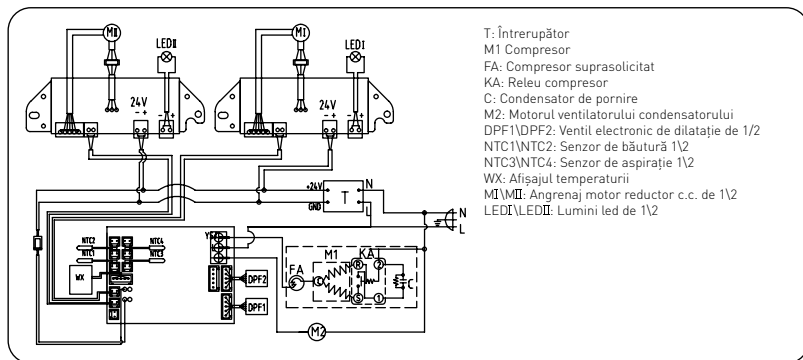
Articol nr.	274224
Dimensiunile mașinii	P: 520mm x A: 810mm x L: 470mm
Greutatea (cu vasul gol)	50kg
Puterea electrică maximă de alimentare (W)	850W
Tensiune de funcționare (V) și frecvența (Hz)	220-240V- 50Hz
Temperatură de funcționare	Min. 20°C până la max. 32°C
Numărul de vase	2
Capacitatea fiecărui vas	12 litri + 12 litri
Nivelul de zgomot	< 70 dB
Clasa de protecție	Clasa I
Clasa de protecție contra apei	IPX0
Agentul frigorific utilizat și cantitatea	R404a / 450g
Greutatea netă (cu vasul gol)	62kg
Clasa de climă	N



Observații: Specificația tehnică poate fi modificată fără preaviz.

RO

Schema electrică (Reper 274224)





Setarea parametrilor aparatului

AVERTISMENT: Nu recomandăm în niciun caz ca parametrii de mai jos să fie modificați, întrucât în

fabrică se fac setările optime. Schimbați parametrii doar dacă este necesar.

Cum se face setarea

Țineți apăsat  imp de aproximativ 6 secunde. Temperatura afișată pe ecran va clipi. Apăsați „+” sau „-” la valoarea „15” (acesta este codul de intrare în regimul de setare).

Apăsați apoi  de mai multe ori pentru a selecta parametrul (afișajul se va schimba succesiv) pe care doriți să îl modificați. Parametrii sunt cei din lista de mai jos :

Ecran	Descriere	Interval de setare	Valoarea setată din fabrică
F1	Temperatura vasului I în regimul de producere a sucului	1°C ~ 7°C	2°C
F2	Temperatura vasului II în regimul de producere a sucului	1°C ~ 7°C	2°C
F3	Nu se aplică		
C1	Protecție la temperaturi scăzute	-3°C ~ 10°C	-5°C
C3	Protecție la temperatura de ieșire a lichidului în prima etapă	5°C ~ 10°C	10°C
C4	Protecție la temperatura de ieșire a lichidului în a doua etapă	3°C ~ 8°C	5°C
A1	Temperatura la sondă la vasul I	-5°C ~ 5°C	0°C
A2	Temperatura la sondă la vasul II	-5°C ~ 5°C	0°C
A3	Nu se aplică		
E1	Diferența de temperatură în regimul de producere a sucului	1°C ~ 5°C	2°C
E2	Temporizarea compresorului	2 ~ 8 min	2 min

RO

Garanție

Orice defecțiune care afectează funcționarea aparatului apărută la mai puțin de un an de la cumpărarea acestuia va fi remediată prin reparație sau înlocuire gratuită, cu condiția ca aparatul să fi fost folosit și întreținut conform instrucțiunilor nu să nu fi fost bruscat sau folosit necorespunzător în vreun fel. Drepturile dumneavoastră legale nu sunt afec-

tate. Dacă aparatul este în garanție, menționați când și de unde a fost cumpărat și includeți dovada cumpărării (de ex. chitanța).

Conform politicii noastre de dezvoltare continuă a produsului, ne rezervăm dreptul de a modifica produsul, ambalajul și documentația fără notificare.

Eliminarea și mediul înconjurător

La dezafectarea aparatului, produsul nu trebuie aruncat împreună cu alte deșeuri menajere. În schimb, este responsabilitatea dumneavoastră să eliminați echipamentul uzat prin predarea acestuia la un punct de colectare desemnat. Nerespectarea acestei reguli poate fi penalizată în conformitate cu reglementările aplicabile privind eliminarea deșeurilor. Colectarea separată și reciclarea echipamentului dumneavoastră uzat la momentul debarasării contribuie la conservarea resurselor na-

turale și asigură realizarea reciclării într-un mod care protejează sănătatea ființelor umane și a mediului. Pentru informații suplimentare privind modul în care puteți preda deșeurile dumneavoastră în scopul reciclării, vă rugăm să contactați compania locală de colectare a deșeurilor. Producătorii și importatorii nu își asumă responsabilitatea cu privire la reciclarea, tratarea și eliminarea ecologică a deșeurilor, fie direct, fie prin intermediul unui sistem public.

Большое Вам спасибо за то, что Вы купили оборудование фирмы Arctic. Вам следует внимательно прочитать настоящую инструкцию пользователя во избежание повреждения машины в результате неправильной эксплуатации. Особенно рекомендуем ознакомиться с предупреждениями.

Правила техники безопасности

- Неправильная эксплуатация и неподходящее использование агрегата может привести к его поломке и поранить оператора.
- Настоящее устройство предназначено исключительно для коммерческого использования и не должно использоваться в домашних условиях.
- Оборудование следует использовать точно по назначению. Производитель не несет ответственности за повреждения, вызванные неправильной эксплуатацией или неправильным обслуживанием оборудования.
- Оборудование и электрическую штепсельную вилку следует держать вдали от воды и прочих жидкостей. Если штепсельная вилка попадет в воду, ее следует тут же вытащить из розетки электропитания и обратиться в службу сертифицированного сервиса для проверки устройства. Несоблюдение данных указаний может повлечь за собой угрозу здоровью и жизни обслуживающего персонала.
- Нельзя снимать кожу без особого разрешения.
- Нельзя класть никаких посторонних предметов вовнутрь агрегата.
- Нельзя касаться мокрыми, или влажными руками штепсельной вилки.
- **Опасность поражения током!** Не следует самостоятельно чинить электроаппаратуру. Любые поломки и неисправности должны устраняться квалифицированным персоналом.
- **Никогда не следует пользоваться поврежденной электроаппаратурой.** Поврежденное устройство нужно отсоединить от электросети и обратиться к продавцу.
- **Предупреждение:** не следует погружать электрических деталей в воду, или иные жидкости. Не омыwać в струе воды.
- Регулярно проверять вилку и провод электропитания на предмет повреждений. Поврежденные вилку или провод передать для ремонта в сервисную точку, или обратиться к квалифицированному электрику во имя предотвращения опасности травм.
- Удостовериться, что провод электропитания не касается острых и горячих предметов; держать электропровод вдали от открытого огня. Для того, чтобы вынуть вилку из розетки всегда нужно тянуть за вилку, а не за электропровод.
- Защитить провод электропитания (удлинитель) от случайного выпадения из розетки. Электропровод прокладывать так, чтобы случайно не зацепиться за него.
- Непрестанно наблюдать за работающей электроаппаратурой.
- **Предупреждение!** Если вилка находится в розетке – это означает, что электроаппаратура считается подключенной к электропитанию.
- Перед тем, как вынуть вилку из розетки, электроаппаратуру следует выключить!
- Никогда нельзя переносить, передвигать электроаппаратуру держа за электропровод.

- Не использовать никаких деталей, аксессуаров, которые не поставляются вместе с этой электроаппаратурой.
- Электроаппаратуру следует подключать исключительно к розетке, в которой имеется напряжение и частоту, указанную на щитке электроаппаратуры.
- Вилку следует вставлять в розетку, расположенную в удобном и легкодоступном месте, так чтобы в случае аварии можно бы ее немедленно вынуть. Для полного обесточивания электроаппаратуры ее следует отсоединить от электропитания; для этого следует вынуть вилку, находящуюся на конце провода электропитания, из розетки.
- Перед тем, как вынуть вилку всегда следует помнить о том, чтобы сначала выключить электроаппаратуру!
- Не следует использовать детали, аксессуары, не рекомендуемые производителем данной электроаппаратуры, т.к. использование таких деталей, аксессуаров может создать для пользователя угрозу его здоровью и жизни, а также может привести к поломке электроаппаратуры. Следует всего использовать оригинальные детали, аксессуары.
- Без надлежащего контроля или предварительного обучения эксплуатации оборудования проводимого лицом, отвечающим за безопасную эксплуатацию, оборудованием не могут пользоваться ни дети, ни лица с ограниченными физическими, или психическими возможностями, ни лица, которые не обладают необходимым опытом работы и знаниями в данной области.
- Ни в коем случае нельзя допускать к использованию электроаппаратуры детей.
- Электроаппаратуру следует хранить в месте недоступном для детей.
- Нельзя разрешать детям использовать электроаппаратуру в качестве игрушки.
- Всегда электроаппаратуру следует отсоединить от электропитания, если оставляем ее без надзора, перед монтажом, демонтажем и чисткой.
- Нельзя оставлять работающую электроаппаратуру без надзора.

Специальные правила техники безопасности

- Устройство должен обслуживать квалифицированный персонал кухни или персонал, обслуживающий бар или гастрономические предприятия общественного питания.
- **Внимание! Опасность пожара!** В устройстве применяется хладагент R404a. Использование любого другого хладагента может подвергнуть пользователей и обслуживающий персонал риску и привести к опасности возникновения пожара.
-  **ПРЕДУПРЕЖДЕНИЕ:** Выключите устройство перед снятием корпуса/ крышки контейнера и проведением любых операций внутри него из-за опасности вытягивания во вращающиеся части устройства.
-  **ПРЕДУПРЕЖДЕНИЕ:** Охлаждающая жидкость может вызвать серьезные травмы при контакте с кожей. Защитите ваши глаза и кожу от непосредственного контакта с охлаждающей жидкостью. Если получите ожог, немедленно промойте пораженный участок холодной водой. В случае тяжелых ожогов, приложите лёд на раздраженное место и немедленно обратитесь к врачу.

- **ПРЕДУПРЕЖДЕНИЕ:** Не закрывайте вентиляционные отверстия корпуса устройства. При установке устройства, убедитесь, что оно имеет необходимую вентиляцию. Никогда не блокируйте поток воздуха вокруг устройства - в противном случае это может привести к перегреву.
- Храните вдали от горячих поверхностей и открытого пламени. Убедитесь, что устройство не подвергается воздействию высоких температур, пыли, солнечного света, влаги, брызг и капель воды.
- Не ударяйте твердым инструментом в стеклянные компоненты устройства. Не чистите устройство с использованием прямой струи воды или паровой мойки и не смывайте водой – существует риск поражения электрическим током.
- Не ставьте на устройство никакие предметы. Рядом с устройством не помещайте источники открытого огня (например, горящие свечи). Не помещайте какие-либо предметы, наполненные водой в непосредственной близости от устройства, (например, вазы).
- Не накрывайте устройство во время работы. Это создает опасность пожара.
- Не сверлите дополнительные отверстия в устройстве. Не устанавливайте никакого дополнительного оборудования на устройстве.
- Не пытайтесь входить на устройство.

Монтаж устройства

- Обслуживание и установку устройства должен проводить только квалифицированный персонал, который обязан выполнять указанные выше действия, используя предназначенные для этого инструменты и строго придерживаясь действующих правил.
- Устройство следует собирать в закрытом, хорошо вентилируемом помещении и устанавливать на ровной, плоской, сухой, устойчивой и прочной поверхности.
- Устройство должно быть установлено в месте, где можно будет контролировать его работу квалифицированным персоналом.
- Устройство устанавливать в месте, где температура окружающей среды составляет от 20 °C до 32 °C.
- Во время установки оставьте как минимум 25 см свободного пространства сзади и с обеих сторон устройства для обеспечения надлежащей вентиляции. Рекомендуется устанавливать устройство в месте с хорошей естественной вентиляцией, благодаря чему оно будет иметь надлежащую вентиляцию.
- Для того, чтобы обученный персонал мог иметь возможность работать с устройством свободно и без проблем, вокруг устройства должно

быть предусмотрено достаточное пространство. Кроме того, пространство вокруг устройства поможет быстро эвакуировать персонал в чрезвычайных ситуациях.

- Устройство не может устанавливаться в месте, где существует риск разбрызгивания струи воды.
- **ПРЕДУПРЕЖДЕНИЕ:** Электрическая розетка должна находиться в месте, легко доступном для пользователя. При этом, пользователь будет иметь возможность, в случае необходимости, легко отсоединить устройство от источника питания.
- После очистки и дезинфекции устройства, смажьте все детали, указанные в этом руководстве, смазкой, поставляемой вместе с устройством.
- В случае повреждения кабеля питания, он должен быть заменен производителем / квалифицированным специалистом.
- Не используйте удлинители, не заменяйте оригинальную вилку устройства и не используйте внешних адаптеров или разветвителей.

Электрические компоненты и другие опасности

- Ни одно другое оборудование не должно быть подключено к одному источнику питания, к которому подключено устройство.
- После того, как устройство будет выключено или отключено от источника питания, подождите прим. 5 минут перед повторным запуском.

- Не погружайте устройство в воду. При мойке устройства вода может попасть в электрические детали и вызвать поражение электрическим током. Никакая часть / аксессуары устройства не подходят для мытья в посудомоечной машине.

Назначение устройства

- Устройство предназначено для профессионального использования и должно эксплуатироваться только квалифицированным персоналом.
- Это оборудование предназначено только для распределения холодных напитков.

- Использование устройства для любых других целей будет рассматриваться, как использование не по назначению. Пользователь будет нести исключительную ответственность за неправильное использование устройства.

Монтаж устройства

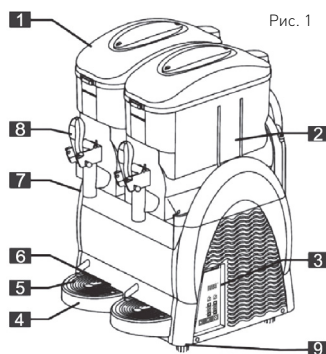
Гранитор является устройством I класса защиты и должен быть заземлен. Заземление снижает риск поражения электрическим током за счет использования отводящего провода. Устройство

оснащено заземляющим проводом с вилкой с заземляющим контактом. Не вставляйте вилку в розетку, если устройство не установлено надлежащим образом и не заземлено.

Основные компоненты устройства

Компоненты устройства:


1. Крышка контейнера
2. Контейнер
3. Панель управления
4. Съёмный поддон
5. Решётка
6. Указатель уровня наполненности поддона
7. Краны разливного автомата
8. Держатели
9. Ножки






Запасные части


- (A). Гайка уплотнения шнека x 1
- (B). Уплотнительное кольцо контейнера x 1
- (C). Уплотнительное кольцо крана разливного автомата x 10
- (D). Белая шайба вала шнека x 2
- (E). Чёрная шайба вала шнека x 2
- (F). Трубка смазки x 1


Панель управления


 Переключатель питания


  Кнопка выбора контейнера


 Световой индикатор контейнера
Индикатор температуры

 Кнопка увеличения замораживания + / температуры


 Индикатор замораживания / температуры


 Кнопка уменьшения замораживания + / температуры

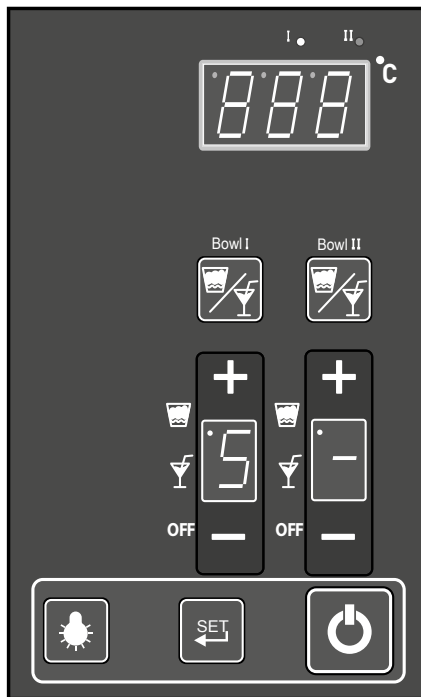
 Указатель режима работы „Гранита“

 Указатель режима работы „Сок“

OFF Световой индикатор режима выключения (OFF)

 Кнопка подсветки

 Кнопка настройки параметров (Смотри страницу X для ознакомления с инструкцией по настройке параметров)



Перед первым использованием

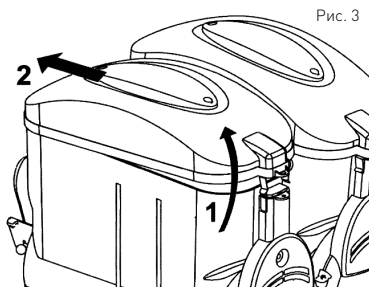
- Снимите и удалите упаковку и защиты.
- Проверьте комплектность устройства и аксессуаров (смазка, мойка, гайка)
- В случае неполной поставки или повреждения свяжитесь с поставщиком (смотри: Гарантия).
- Квалифицированный персонал должен проверить, работает ли устройство должным образом.
- Очистите все детали в соответствии с инструкцией (Смотри: Очистка и техническое обслуживание).

Замечание: Из-за остатка от производственного процесса, в течение первых нескольких запусков из устройства может выходить неприятный запах. Это нормальное явление и не указывает на повреждение устройства или опасность для пользователя. Убедитесь, что устройство хорошо вентилируется.

Использование

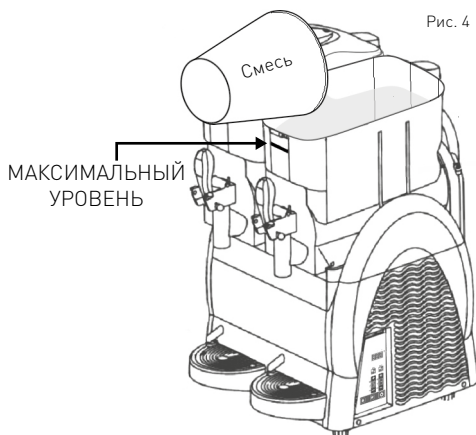
а) Подготовка смеси:

- В соответствующем контейнере растворите КОНЦЕНТРАТ в ВОДЕ и перемешайте согласно рекомендациям производителя. ПОЛУЧЕННАЯ СМЕСЬ ДОЛЖНА ИМЕТЬ МИН. 13° по шкале Брикса. Смесь с пониженным содержанием сахара может привести к повреждению шнека и / или мотор-редукторов.
- **ПРЕДУПРЕЖДЕНИЕ:** Температура смеси не может превышать 25 °С.
- **ПРЕДУПРЕЖДЕНИЕ:** Никогда не используйте устройство, если контейнеры заполнены только водой.



б) Заливка смеси в контейнеры устройства :


- **ПРЕДУПРЕЖДЕНИЕ:** Смесь влейте в контейнер (2) только тогда, когда устройство ВЫКЛЮЧЕНО и отключено от источника питания.
- Для того, чтобы снять крышку (1) контейнера (2), следуйте инструкции (Смотри: Рис. 3):
 - 1) Поднимите заднюю часть крышки;
 - 2) Снимите крышку (2) с зацепки, расположенной на передней части контейнера.
- Аккуратно влейте смесь в контейнер (2), обращая внимание, чтобы уровень жидкости в контейнере не превысил „МАКСИМАЛЬНОГО УРОВНЯ“. (Смотри: Рис. 4). (Для того, чтобы избежать опасности, никогда не наливайте горячую жидкость в контейнер.)



- После заливки/ пополнения смеси в контейнере (2), поместите крышку (1) обратно на контейнер (2). Смотрите: Рис. 5.





ПРЕДУПРЕЖДЕНИЯ:

1. Никогда не используйте устройство, если крышка не находится на контейнере. Перед тем как снять крышку, выключите устройство и отключите его от источника питания.

2.  Внутри контейнера имеются движущиеся части, которые могут привести к травмам - перед проведением любых действий, связанных с контейнером, выключите устройство и отключите его от источника питания.

с) Запуск устройства:

Каждый контейнер контролируется индивидуально.

- Сначала подключите вилку к электрической розетке.
- Затем нажмите , чтобы включить устройство. Нажмите и придержите  в течение трёх секунд, чтобы перейти в режим ОЖИДАНИЯ (STANDBY), если устройство используется в настоящее время. Смотрите: Рис. 6.
- Затем нажмите на кнопку, соответствующую нужному контейнеру ( или ). Нажмите кнопку еще раз, чтобы выбрать режим работы. Существуют три режима работы.



(„Гранита” , „Сок”  или **ВЫКЛЮЧЕН OFF**). По очереди будет загораться световой индикатор данного режима работы.

Рис. 5

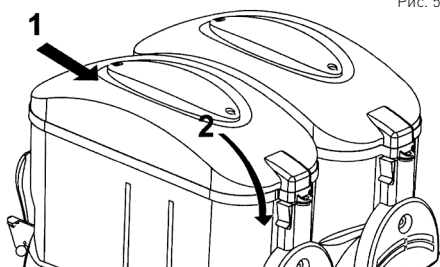
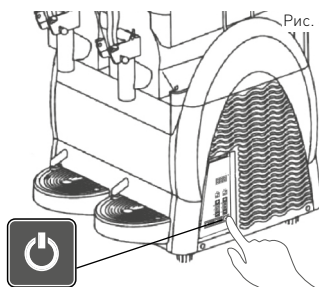





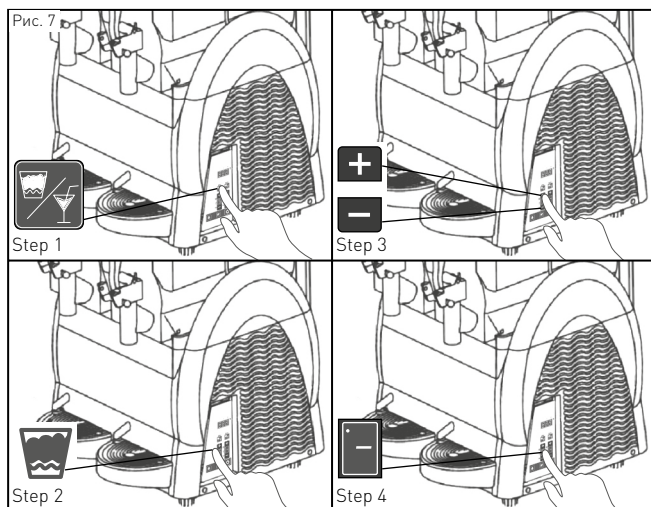
Рис. 6






RU

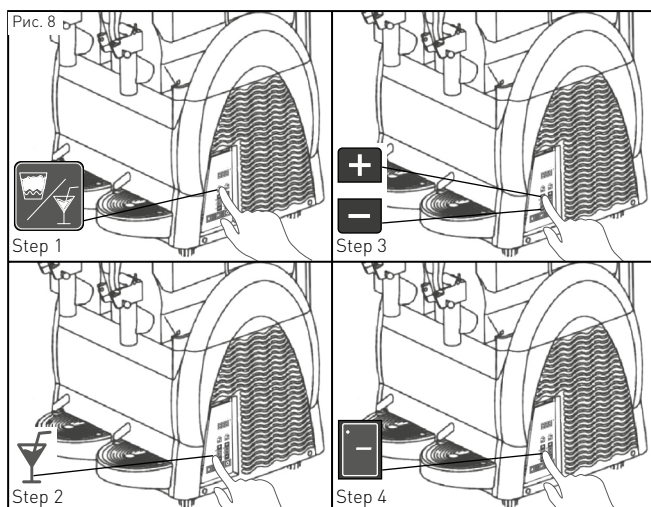
I). Работа в режиме „Гранита“

- Нажмите на кнопку, соответствующую нужному контейнеру ( или ).
- Затем нажмите несколько раз, чтобы выбрать режим „Гранита“; загорится световой индикатор  .
- Потом нажмите несколько раз „+“ или „-“, чтобы установить уровень замораживания: Уровень 1 обозначает легко замороженный десерт с большим количеством воды, уровень 7 – сильно замороженный десерт с малым количеством воды. Смотри: Рис. 7.





II). Работа в режиме „Сок“



- Нажмите на кнопку, соответствующую нужному контейнеру ( или ).
- Затем нажмите несколько раз, чтобы выбрать режим „Сок“; загорится световой индикатор  .
- Потом нажмите несколько раз „+“ или „-“, чтобы установить нужную температуру (от 1°C до 7°C).



III). Остановка работы устройства

- Нажмите на кнопку, соответствующую нужному контейнеру ( или ).

d) Для того, чтобы очистить данный контейнер:

- Нажмите и придержите кнопку, соответствующую нужному контейнеру ( или ) в течение 6 секунд.
- Клапан контейнера будет открыт для очистки приблизительно 3 минуты. В этом режиме на панели управления отобразится „°C“.

Внимание: В этом режиме электромагнитный клапан данного контейнера остается откры-

- Затем нажмите несколько раз, пока не загорится индикатор **OFF**. Устройство остановит перемешивание и замораживание.

e) Дозировка граниты

- Для того, чтобы налить продукт, потяните рычаг крана.

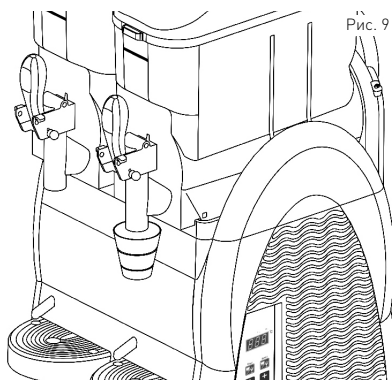
Замечание:

- Регулярно проверяйте температуру напитка в резервуаре (2). Если в контейнере находится смесь, не выключайте устройство.
- Если произошла остановка при использовании устройства, нужно будет удалить определенное количество продукта из-под крана перед приготовлением десерта для клиента.

тым; газообразный хладагент не выйдет наружу. Шнек будет продолжать вращаться для очистки. Долейте в контейнер чистую, тёплую воду, не превышая определенного „МАКСИМАЛЬНОГО УРОВНЯ“.

Не вкладывайте руки в контейнер.

Для тщательной очистки или дезинфицирования устройства, выключите его и отключите от сети.



RU

Очистка и техническое обслуживание

Замечание:

- Перед очисткой и техническим обслуживанием, не забудьте нажать переключатель на панели управления (3) и отключить устройство от источника питания. Очистку и техническое обслуживание устройства должен выполнять квалифицированный персонал.

Очистка :

- Внутренние и внешние поверхности устройства можно чистить влажной тканью с небольшим количеством моющего средства.
- Для очистки устройства не используйте непосредственное воздействие водяной струи, парочистителя и не погружайте всего устройства в воду.
- Компоненты устройства нельзя мыть в посудомоечной машине.

- Перед началом очистки или технического обслуживания устройства наденьте защитную одежду, например, перчатки, защитные очки и т.п.

- Компоненты устройства нельзя сушить в микроволновой печи.
- Для очистки не используйте абразивные чистящие губки, и / или металлические мочалки.
- Контейнер нужно чистить и поддавать санитарной обработке, по меньшей мере, один раз в день.

- Очистка и дезинфекция должны выполняться очень осторожно и через регулярные промежутки времени для того, чтобы гарантировать высокое качество напитков с использованием разливного автомата и по соображениям гигиены.
- **Предупреждение:** Не подключайте устройство к источнику питания и не включайте его во время проведения чистки и ухода.
- Поднимите верхнюю часть крышки и снимите её для чистки и ухода. После окончания очистки и технического обслуживания, наденьте снова крышку. Смотри: Рис.10.

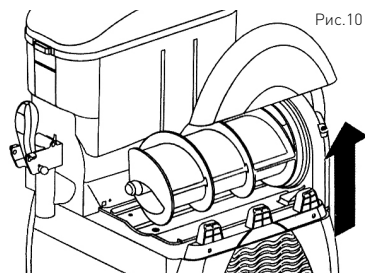


Рис.10

а) Опорожнение контейнеров:

- Перед очисткой контейнер должен сначала быть очищен от всей остаточной смеси.

б) Демонтаж крана разливного автомата:

- Убедитесь, что в контейнере нет никаких остатков напитка.
- Перед снятием контейнера, выньте кран.
- Выньте штифт (F), чтобы удалить оставшиеся детали.

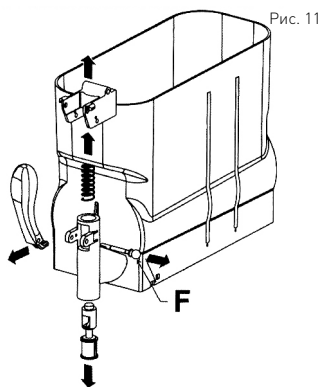


Рис. 11

- Для очистки устройства, используйте чистую, горячую воду.

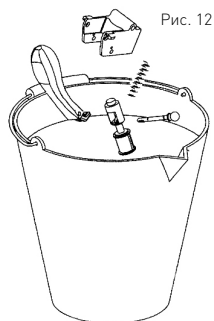


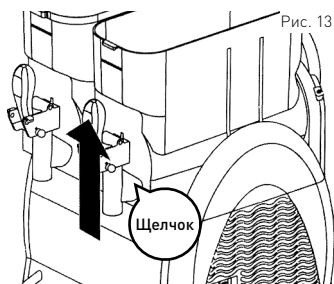
Рис. 12

с) Снятие контейнера и крышки:

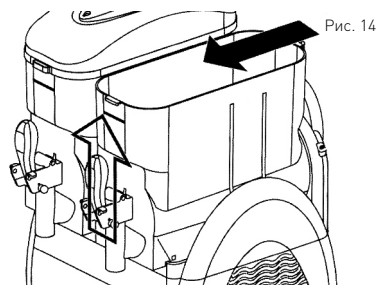
- Для того, чтобы снять крышку (1) с контейнера (2), следуйте инструкции, как ниже и Рис. 2:

- 1) Поднимите заднюю часть крышки;
- 2) Снимите крышку (2) с зацепки, расположенной в передней части контейнера

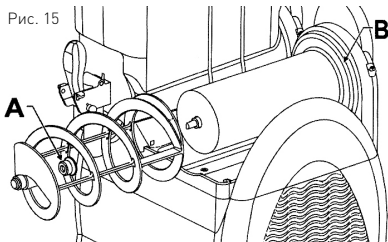
- Затем поднимите и отцепите переднюю часть контейнера.



- Затем снимите контейнер, осторожно подталкивая его сзади. Контейнер можно снять.



- Потом выньте шпек и снимите гайку (А) и уплотнительное кольцо контейнера (В). Замените детали (А) и (В), если они изношены; обязательная замена каждые 12 месяцев.



d) Мойка и дезинфекция устройства:

Замечание: Все вышеупомянутые демонтированные детали устройства следует тщательно вымыть и дезинфицировать.

Рекомендуется мыть и дезинфицировать устройство каждый день для поддержания высокого качества десертов и напитков.

Для того, чтобы правильно проводить очистку и дезинфекцию, следуйте этим указаниям:

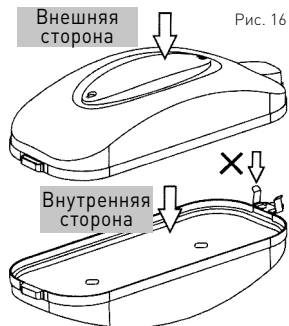
- Наполните контейнер горячей водой (50-60°C) с добавлением моющего средства
- Тщательно промойте снятые детали раствором воды и моющего средства
- Прополосните горячей водой.
- Погрузите снятые детали в раствор и оставьте их примерно на 30 минут.
- Затем снова промойте детали чистой водой.

- Поместите все детали на сухой, чистой поверхности и оставьте их пока они не высохнут.
- Снова соберите устройство в соответствии с инструкцией, указанной в пункте e).
- Перед повторным использованием разливного автомата, выполните цикл промывки чистой водой. (Смотри пункт f)).

Предупреждение ! Не погружайте крышки контейнеров с лампочками в любую жидкость. Перед чистой убедитесь, что лампочки откручены в соответствии со следующей инструкцией (смотри Рис. 27):

Крышку с лампочкой следует чистить в соответствии с указаниями, как ниже:

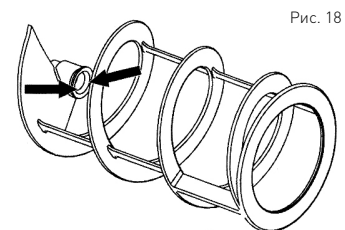
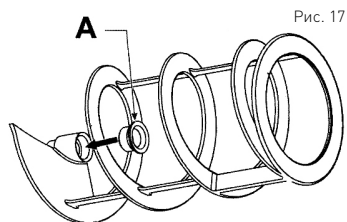
1. Используя чистую, влажную ткань, очистите внутреннюю полость крышки контейнера и внешнюю поверхность.
2. С помощью губки, погруженной в моющий раствор, выполните дезинфекцию внутренней полости крышки, следя за тем, чтобы не задеть петель (X), примерно в течение 10 минут.
3. Промойте два или несколько раз чистой губкой, смоченной в свежей, теплой воде.
4. Протрите насухо чистой сухой тканью.
5. Установите крышку на чистый и дезинфицированный контейнер.



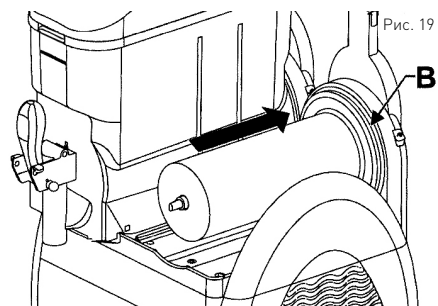
е) Сборка промытых деталей

Замечание: Все промытые детали должны быть повторно очень осторожно установлены. Некоторые детали следует смазать с помощью прилагаемой к устройству смазки, чтобы обеспечить их правильную работу.

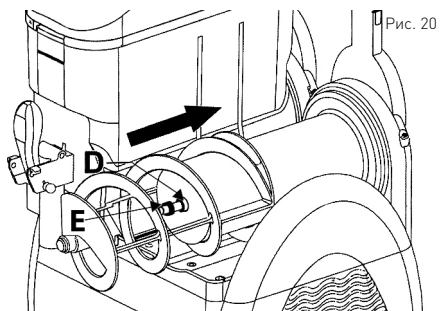
- Всегда проверяйте состояние уплотнения (A) - если оно изношено, замените его новым (уплотнения прилагаются к устройству).
- Гайку шнека (A) заменяйте, по крайней мере, каждые 12 месяцев.
- Установите гайку шнека (A) в соответствии с инструкцией (Смотри: Рис. 17).
- Смажьте внутреннюю полость гайки шнека (A), как показано на рисунке 18 с помощью смазки, прилагаемой к устройству.



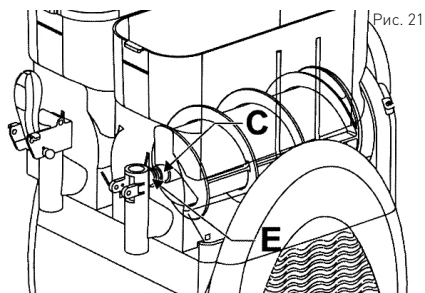
- Затем наденьте уплотнительное кольцо контейнера (B) и вокруг него нанесите смазку в соответствии с представленным рисунком (Смотри: Рис. 19).



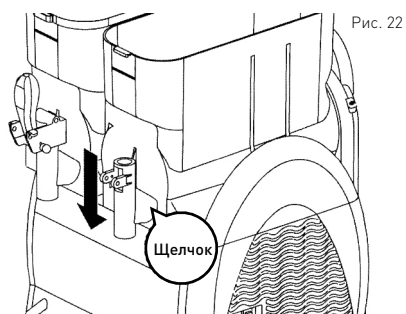
- Затем установите шнек, а также белую (D) и черную (E) шайбы на вал. Переверните шнек, для того, чтобы его зафиксировать.



- Теперь установите контейнер на нужное место, осторожно поднимите переднюю часть шнека, устанавливая его в нужном положении (E) по отношению к контейнеру (Смотри: Рис. 21).



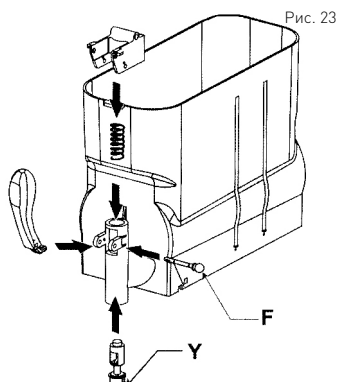
- Осторожно нажмите на контейнер, чтобы его установить в правильном положении (Смотри: Рис. 22).



RU

Следуйте согласно указаниям, как ниже, чтобы снова установить кран (7) :

- С помощью прилагаемой к устройству смазки, смажьте соответственно кран (Y) и соберите все детали..
- Вставьте штифт (F), удерживая рычаг крана (Смотри: Рис.23).
- Замените уплотнительное кольцо крана (C), если оно изношено или протекает.



f) Полоскание устройства

Замечание: После очистки и перед возобновлением запуска устройства, проведите цикл ополаскивания.

Инструкция для выполнения цикла полоскания:

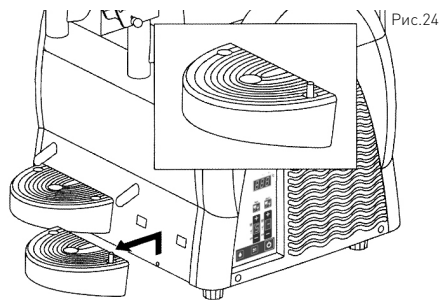
- Налейте чистую воду в контейнер ;

g) Очистка поддона

Замечание: Поддон необходимо опорожнять и очищать каждый раз, когда выдвигается указатель уровня наполненности поддона. Поддон должен быть очищен каждый день.

- Поднимите и вытащите поддон вместе с расположенной на нём решёткой.
- Вымойте отдельно поддон и решётку летней водой.
- Хорошо высушите обе части и поместите решётку обратно на поддон.
- Присоедините шланг для отвода воды к соответствующему отверстию.
- Вставьте поддон обратно в устройство и надавите, чтобы его правильно закрепить.

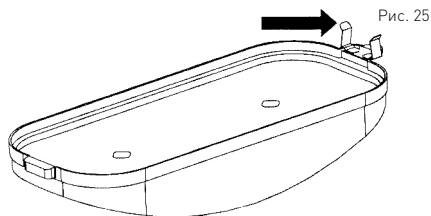
- В течение, по крайней мере, 5 минут устройство должно непрерывно перемешивать жидкость в контейнере.
- Выключите устройство и опорожните контейнер, открутив кран (7).



h) Крышка с подсветкой

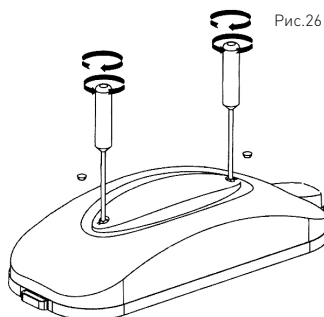
Замечание: При очистке соблюдайте осторожность, чтобы не согнуть, не сломать или не повредить «контакты». Любое повреждение контактов может привести к неисправности крышки с подсветкой.

- Контакты крышки с подсветкой следует чистить влажной тканью и тщательно высушить. Всегда помните, чтобы выключить устройство.
- Для того, чтобы очистить, не погружайте устройство в воду.



i) Замена лампочки

- Лампочку можно заменить только тогда, когда устройство выключено, а питающий шнур отключен от источника питания.
- Снимите защитные колпачки. Затем, используя подходящую отвертку (не входит в комплект к устройству), отвинтите винты, чтобы снять крышку.



- Извлеките лампочку (U) из держателя (Т). Замените лампочку на новую (не входит в комплект к устройству).

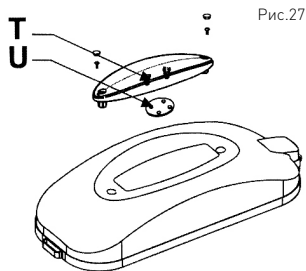


Рис.27

ж) Очистка конденсатора

- **Замечание:** Очистку конденсатора может выполнять только квалифицированный специалист при использовании соответствующих инструментов / оборудования.
- Конденсатор необходимо регулярно очищать (не реже одного раза каждые 6 месяцев), чтобы обеспечить правильную работу устройства
- Для того, чтобы получить доступ к конденсатору, необходимо сначала снять защитную панель.
- **Предупреждение:** Снятие защитной панели открывает острые элементы устройства.
- Для того, чтобы снять защитную панель, следуйте приведенной ниже инструкции:

- 1) Поднимите и снимите верхнюю часть защитной панели;
- 2) Выверните 4 винта, которые фиксируют защитную панель.
- 3) После удаления 4 винтов, снимите защитную панель. (См. Рис. 29)
- 4) При помощи сухой щетки (не прилагается к устройству) удалите скопившуюся пыль. (См. Рис. 30)
- 5) После тщательной очистки конденсатора заново установите защитную панель.

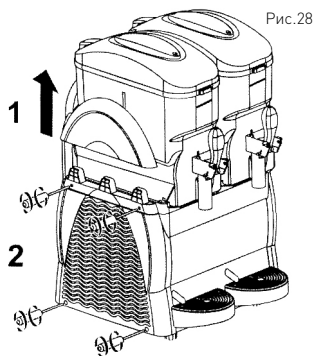


Рис.28

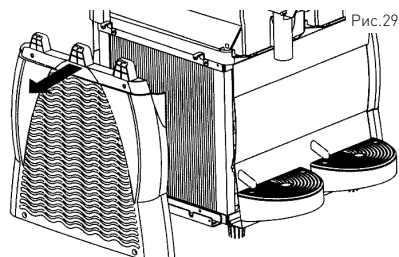


Рис.29

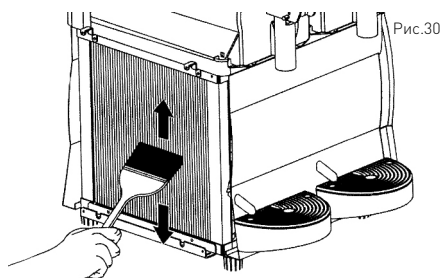


Рис.30

к) Периодическое техническое обслуживание

Устройство должно быть предметом периодического технического обслуживания (по крайней мере, каждые шесть месяцев), выполняемого квалифицированным техническим специалистом. Периодическое техническое обслуживание устройства предназначено для обеспечения того, чтобы устройство и все его детали были полностью безопасны.

Если детали изношены, замените их оригинальными запасными частями. Не используйте устройство, даже если одна деталь неисправна или изношена. Пользователь не может выполнять периодическое техническое обслуживание.

Поиск и устранение неисправностей

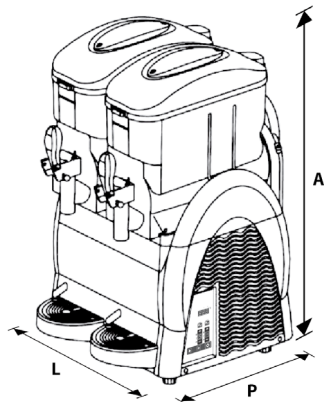
Если устройство не работает должным образом, обратитесь к приведенной ниже таблице, чтобы найти правильное решение.

Если вы не можете решить проблему, обратитесь к поставщику.

Проблема	Возможная причина	Возможное решение
Устройство не запускается при подключении к электрической розетке.	Шнур питания и вилка неправильно подключены к электрической розетке.	Проверьте подключение. Убедитесь, что все элементы подключены правильно.
Кран разливного автомата протекает.	Кран не был правильно установлен.	Снимите кран и проверьте, чтобы он был правильно закреплен.
	Поршень крана не смазан.	Смажьте поршень крана.
	Поршень крана поврежден.	Свяжитесь с поставщиком.
Смесь протекает в задней части контейнера.	Контейнер установлен неправильно.	Убедитесь, что контейнер правильно установлен и, в случае необходимости, установите его ещё раз.
	Уплотнительное кольцо контейнера не смазано.	Смажьте уплотнительное кольцо контейнера.
	Уплотнительное кольцо контейнера повреждено.	Замените уплотнительное кольцо контейнера.
Шнек не вращается.	Лёд в контейнере блокирует шнек.	Подождите, пока лёд не растает.
Устройство не производит гранита.	Не установлен режим работы „Гранита“.	Выберите режим „Гранита“.
	Конденсатор загрязнен.	Регулярно очищайте конденсатор.
	Недостаточная вентиляция.	Обеспечьте надлежащую вентиляцию.
	Устройство установлено слишком близко к источнику тепла.	Установите устройство вдали от источника тепла.
При работе шнек генерирует шум	Переднее уплотнение (A) установлено неправильно.	Проверьте положение уплотнения (A) и установите его правильно.
	Переднее уплотнение (A) не смазано.	Смажьте переднее уплотнение (A).
	Смесь слишком густая.	Измените ее густоту.
Гранита имеет темные пятна.	Контейнер грязный.	Выключите устройство и отсоедините от розетки. Тщательно промойте контейнер.
	Уплотнительное кольцо шнека грязное.	Ещё раз очистите уплотнительное кольцо.
Кран не дозирует необходимое количество	Лёд блокирует кран.	Выключите устройство и подождите пока лёд не растает.

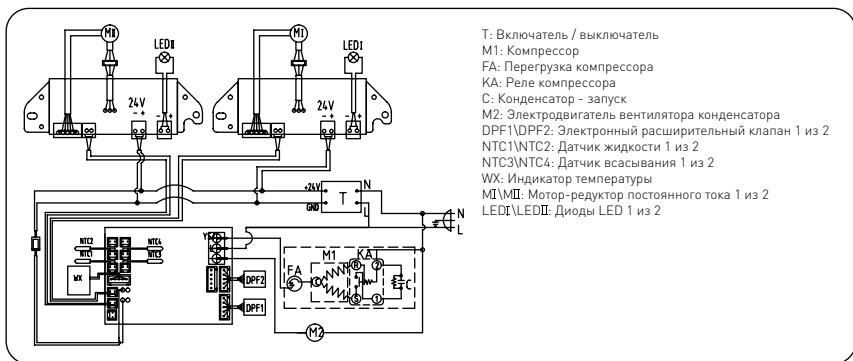
Технические характеристики

№ продукта	274224
Размеры устройства	Р: 520mm x А: 810mm x L: 470mm
Вес (пустой контейнер)	50кг
Максимальная потребляемая мощность (Вт)	850 Вт
Рабочее напряжение (В) и частота (Гц)	220-240В~ 50 Гц
Температура во время работы	Мин. 20°C до макс. 32°C
Количество контейнеров	2
Ёмкость каждого контейнера	12 литров + 12 литров
Уровень шума	< 70 дБ
Степень защиты	I Класс
Класс защиты от воды	IPX0
Хладагент / количество	R404a / 450г
Вес нетто (пустой контейнер)	62кг
Климатический класс	N



Замечания: Технические характеристики могут быть изменены без предварительного уведомления.

Электрическая схема (продукт № 274224)





Настройка параметров устройства

ПРЕДУПРЕЖДЕНИЕ: Не рекомендуется изменять эти параметры, поскольку существующие заводские настройки – это оптимальные. Изме-

няйте существующие параметры только в случае необходимости.

Изменение настроек

Нажмите и придержите  в течение 6 секунд. Температура на дисплее мачнёт мигать. Нажмите „+” или „-”, чтобы установить значение „15” (это код доступа режима настроек).

Затем нажмите  несколько раз, чтобы выбрать параметр, который хотите изменить (очередные параметры появятся на дисплее). Параметры для выбора:

Дисплей	Описание	Диапазон	Заводская установка
F1	Температура в контейнере I в режиме „Сок”	1°C ~ 7°C	2°C
F2	Температура в контейнере II в режиме „Сок”	1°C ~ 7°C	2°C
F3	Не касается		
C1	Защита от слишком низкой температуры	-3°C ~ 10°C	-5°C
C3	Защита - температура жидкости на выходе в первой фазе	5°C ~ 10°C	10°C
C4	Защита - температура жидкости на выходе во второй фазе	3°C ~ 8°C	5°C
A1	Равновесная температура зонда для контейнера I	-5°C ~ 5°C	0°C
A2	Равновесная температура зонда для контейнера II	-5°C ~ 5°C	0°C
A3	Не касается		
E1	Температурный перепад в режиме „Сок”	1°C ~ 5°C	2°C
E2	Время задержки компрессора	2 ~ 8 мин	2 мин

Гарантия

Любая неподелка или поломка, которая влечет за собой неправильную работу устройства, которая будет выявлена в течение первого года от даты покупки, будет устранена бесплатно, или же все устройство будет заменено новым, если оно эксплуатировалось и обслуживалось согласно инструкции по обслуживанию и не использовалось неправильно, или в разрез с назначением. Данное положение ни коей мере не нарушает иных прав потребителя, изложенных в законо-

дательстве. В случае заявления устройства в ремонт или на замену в рамках гарантии, следует указать место и дату покупки устройства и приложить счет, или чековую квитанцию.

Согласно нашей политике совершенствования наших продуктов оставляем за собой право на ввод изменений в конструкцию, упаковку и в технические параметры, указываемые в технической документации без предупреждения.

Утилизация и защита окружающей среды

В случае вывода оборудования из эксплуатации, продукт нельзя утилизировать вместе с другими бытовыми отходами. Пользователь несет ответственность за передачу оборудования в соответствующий пункт приёма техники бывшей в употреблении. Несоблюдение вышеуказанного положения может привести к наложению штрафов в соответствии с действующими правилами в отношении утилизации отходов. Селективный сбор и утилизация использованного оборудования способствуют сохранению природных

ресурсов и обеспечивают рециркуляцию таким образом, который не вреден для здоровья и окружающей среды. Для получения дополнительной информации о том, где можно отдать использованное оборудование для утилизации, обратитесь в местную компанию по сбору отходов. Производитель и импортер не несут ответственности за рециркуляцию и переработку отходов экологически безопасным способом, как непосредственно, так и в рамках государственной системы.

Αγαπητέ πελάτη,



Ευχαριστούμε που αγοράσατε αυτό το προϊόν Arctic. Διαβάστε προσεκτικά το παρόν εγχειρίδιο πριν συνδέσετε τη συσκευή, προκειμένου να προλάβετε πιθανή βλάβη που μπορεί να οφείλεται σε λανθασμένη χρήση. Διαβάστε ιδίως τους κανονισμούς ασφαλείας πολύ προσεκτικά.

Κανονισμοί ασφαλείας

- Αυτή η συσκευή προορίζεται μόνο για επαγγελματική χρήση και δεν πρέπει να χρησιμοποιείται για οικιακή χρήση.
- Η συσκευή πρέπει να χρησιμοποιείται μόνο για τον σκοπό για τον οποίο προορίζεται και σχεδιάστηκε. Ο κατασκευαστής δεν ευθύνεται για τυχόν ζημιές που προκλήθηκαν από εσφαλμένη λειτουργία και ακατάλληλη χρήση.
- Κρατήστε τη συσκευή και το βύσμα μακριά από νερό και άλλα υγρά. Σε περίπτωση που η συσκευή πέσει μέσα σε νερό, αφαιρέστε αμέσως το βύσμα από την πρίζα και μην τη χρησιμοποιήσετε μέχρι να ελεγχθεί η συσκευή από πιστοποιημένο τεχνικό. Η μη τήρηση των οδηγιών ενδέχεται να προκαλέσει κίνδυνο προς τη ζωή.
- Μην επιχειρήσετε ποτέ να ανοίξετε μόνοι σας το περίβλημα της συσκευής.
- Μην εισάγετε αντικείμενα στο περίβλημα της συσκευής.
- Μην αγγίζετε το βύσμα με υγρά χέρια.
- Κίνδυνος ηλεκτροπληξίας! Μην επιχειρήσετε να επισκευάσετε μόνοι σας τη συσκευή. Σε περίπτωση δυσλειτουργίας, οι επισκευές πρέπει να διενεργούνται μόνο από εξειδικευμένο προσωπικό.
- Μην χρησιμοποιείτε ποτέ συσκευή με βλάβη! Σε περίπτωση βλάβης, αποσυνδέστε τη συσκευή από την πρίζα και επικοινωνήστε με τον πωλητή.
- Προειδοποίηση! Μην βυθίζετε τα ηλεκτρικά μέρη της συσκευής σε νερό ή άλλα υγρά. Μην βάζετε ποτέ τη συσκευή κάτω από τρεχούμενο νερό.
- Ελέγχετε τακτικά το βύσμα και το καλώδιο τροφοδοσίας για τυχόν ζημιές. Εάν το βύσμα ή το καλώδιο τροφοδοσίας είναι κατεστραμμένο, πρέπει να αντικατασταθεί από τεχνικό σέρβις ή εξειδικευμένα άτομα για την αποφυγή τυχόν κινδύνου ή τραυματισμού.
- Βεβαιωθείτε ότι το καλώδιο δεν έρχεται σε επαφή με αιχμηρά ή θερμά αντικείμενα και κρατήστε το μακριά από φωτιά. Για να βγάλετε το βύσμα από την πρίζα, να τραβάτε πάντα το βύσμα και όχι το καλώδιο.
- Βεβαιωθείτε ότι το καλώδιο (ή το καλώδιο επέκτασης) είναι τοποθετημένο έτσι ώστε να μην προκαλέσει κίνδυνο να σκοντάψει κανείς.
- Να προσέχετε πάντα τη συσκευή κατά τη χρήση.
- Προειδοποίηση! Όσο το βύσμα είναι στην πρίζα, η συσκευή είναι συνδεδεμένη στην πηγή τροφοδοσίας.
- Απενεργοποιήστε τη συσκευή πριν τραβήξετε το βύσμα από την πρίζα.
- Ποτέ μην μεταφέρετε τη συσκευή από το καλώδιο.
- Μην χρησιμοποιείτε συσκευές που δεν παρέχονται μαζί με τη συσκευή.
- Συνδέστε τη συσκευή μόνο σε ηλεκτρική πρίζα με τάση και συχνότητα που αναφέρονται στην ετικέτα της συσκευής.

- Συνδέστε το βύσμα σε μια εύκολα προσβάσιμη ηλεκτρική πρίζα έτσι ώστε σε περίπτωση έκτακτης ανάγκης η συσκευή να μπορεί να αποσυνδεθεί αμέσως. Για να απενεργοποιήσετε πλήρως τη συσκευή, βγάλτε το βύσμα από την πρίζα.
- Απενεργοποιείτε πάντα τη συσκευή πριν αποσυνδέσετε το βύσμα.
- Μην χρησιμοποιείτε ποτέ εξαρτήματα διαφορετικά από αυτά που συνιστώνται από τον κατασκευαστή. Σε αντίθετη περίπτωση, μπορεί να δημιουργηθεί κίνδυνος για τον χρήστη και να προκληθεί ζημιά στη συσκευή. Χρησιμοποιείτε μόνο αυθεντικά εξαρτήματα και αξεσουάρ.
- Αυτή η συσκευή δεν προορίζεται για χρήση από άτομα (συμπεριλαμβανομένων παιδιών) με μειωμένες σωματικές, αισθητήριες ή διανοητικές ικανότητες ή με έλλειψη πείρας και γνώσης.
- Αυτή η συσκευή δεν πρέπει, σε καμία περίπτωση, να χρησιμοποιείται από παιδιά.
- Κρατήστε τη συσκευή και το καλώδιο μακριά από παιδιά.
- Να αποσυνδέετε πάντα τη συσκευή από το ρεύμα εάν αφήνεται χωρίς επιτήρηση ή δεν χρησιμοποιείται και πριν από εργασίες συναρμολόγησης, αποσυναρμολόγησης ή καθαρισμού.
- Μην αφήνετε ποτέ τη συσκευή χωρίς επιτήρηση ενώ βρίσκεται σε λειτουργία.

Ειδικοί κανονισμοί ασφαλείας

- Η συσκευή πρέπει να χειρίζεται και να συντηρείται από εξειδικευμένο, εκπαιδευμένο προσωπικό σε κουζίνα εστιατορίου ή μπαρ.
- **Προσοχή! Κίνδυνος πυρκαγιάς!** Η ψυκτική ουσία που χρησιμοποιείται είναι η R404a. Η χρήση άλλης ψυκτικής ουσίας μπορεί να εκθέσει τους χρήστες και τους χειριστές σε απρόσμενους κινδύνους για την ασφάλεια και κινδύνους πυρκαγιάς.
-  **ΠΡΟΕΙΔΟΠΟΙΗΣΗ:** Απενεργοποιήστε τη συσκευή πριν ανοίξετε το περιβλήμα/το καπάκι του κάδου και εκτελέσετε εργασίες στο εσωτερικό του, λόγω κινδύνου από την κίνηση.
-  **ΠΡΟΕΙΔΟΠΟΙΗΣΗ:** Η εκτίναξη ψυκτικού υγρού στο δέρμα μπορεί να προκαλέσει σοβαρό τραυματισμό στους ιστούς. Προστατεύετε το δέρμα και τα μάτια σας. Σε περίπτωση εγκαυμάτων από το ψυκτικό υγρό, ξεπλύνετε αμέσως με κρύο νερό. Αν τα εγκαύματα είναι σοβαρά, εφαρμόστε παγοκύστες και ζητήστε άμεσα ιατρική βοήθεια.
- **ΠΡΟΕΙΔΟΠΟΙΗΣΗ:** Απομακρύνετε όλα τα εμπόδια γύρω από όλα τα ανοίγματα εξαερισμού της συσκευής. Παρέχετε αρκετό εξαερισμό στην περιβάλλουσα δομή κατά την εγκατάσταση. Μην κλείνετε την αναρρόφηση της ροής αέρα και την έξοδο αέρα προκειμένου να αποφευχθεί τυχόν υπερθέρμανση.
- Διατηρείτε τη συσκευή μακριά από θερμές επιφάνειες και ανοικτές φλόγες. Προστατεύετε τη συσκευή από τη θερμότητα, τη σκόνη, την απευθείας έκθεση στον ήλιο, την υγρασία, τις διαρροές και την εκτίναξη νερού.
- Μην χρησιμοποιείτε σκληρά σκεύη για να χτυπήσετε την γυάλινη επιφάνεια της συσκευής. Μην χρησιμοποιείτε πίδακες νερού και μην ξεπλένετε άμεσα με νερό ή συσκευές καθαρισμού με ατμό, καθώς τα εξαρτήματα θα βραχούν και μπορεί να προκληθεί ηλεκτροπληξία.
- Μην τοποθετείτε αντικείμενα επάνω στη συσκευή. Μην τοποθετείτε αντικείμενα με ανοικτές πηγές φωτιάς (π.χ. κεριά) επάνω ή δίπλα στη συσκευή. Μην τοποθετείτε αντικείμενα με νερό (π.χ. βάζα) επάνω ή κοντά στη συσκευή.

- Μην καλύπτετε ποτέ τη συσκευή κατά τη χρήση. Ενδέχεται να προκληθεί πυρκαγιά.
- Μην δημιουργείτε πρόσθετα ανοίγματα στη συσκευή. Μην τοποθετείτε πρόσθετα εξαρτήματα στη συσκευή.
- Μην προσπαθήσετε να ανεβείτε πάνω στη συσκευή.

Τοποθέτηση της συσκευής

- Όλες οι λειτουργίες και οι εγκαταστάσεις πρέπει να διεξάγονται αποκλειστικά από ειδικευμένο και εκπαιδευμένο προσωπικό, το οποίο θα οργανώνει όλες τις λειτουργικές αλληλουχίες και αλληλουχίες εγκατάστασης, με τη βοήθεια των κατάλληλων εργαλείων και σε αυστηρή συμμόρφωση με τους ισχύοντες κανονισμούς.
- Η συσκευή πρέπει να τοποθετείται σε εσωτερικό και καλά εξαεριζόμενο χώρο και σε επίπεδη, οριζόντια, στεγνή, σταθερή και στερεή επιφάνεια.
- Η συσκευή πρέπει να παρακολουθείται όταν λειτουργεί και, ως εκ τούτου, πρέπει να τοποθετείται σε θέση όπου μπορεί να παρακολουθείται από εκπαιδευμένο προσωπικό όταν λειτουργεί.
- Η συσκευή μπορεί να λειτουργεί μόνο σε χώρους με θερμοκρασία περιβάλλοντος από 20°C έως 32°C.
- Τοποθετήστε τη συσκευή, αφήνοντας τουλάχιστον 25 cm ελεύθερο χώρο στην πίσω, αριστερή και δεξιά πλευρά της για λόγους αερισμού. Συνιστούμε να τοποθετείτε τη συσκευή σε χώρο με επαρκή φυσικό αερισμό.
- Πρέπει να υπάρχει επαρκής ελεύθερος χώρος γύρω από τη συσκευή για να μπορεί το εκπαιδευμένο προσωπικό να εργάζεται χωρίς περιορισμούς/δυσκολίες κίνησης και να εγκαταλείψει αμέσως τον χώρο σε περίπτωση επείγουσας ανάγκης.
- Η συσκευή δεν πρέπει να τοποθετείται κοντά σε πίδακες νερού.
- **ΠΡΟΕΙΔΟΠΟΙΗΣΗ:** Η πρίζα πρέπει να βρίσκεται σε μέρος εύκολα προσβάσιμο από τον χρήστη για να μην είναι δύσκολη η αποσύνδεση της συσκευής όταν δεν χρησιμοποιείται.
- Χρησιμοποιείτε το παρεχόμενο λιπαντικό για να λιπαίνετε όλα τα μέρη που αναφέρονται στο παρόν εγχειρίδιο μετά από το πλύσιμο και την απολύμανση της συσκευής.
- Εάν το καλώδιο τροφοδοσίας είναι φθαρμένο, πρέπει να αντικατασταθεί από τον κατασκευαστή ή εξειδικευμένο τεχνικό.
- Απαγορεύεται η χρήση καλωδίων επέκτασης οποιουδήποτε τύπου ή αντικατάστασης του αρχικού βύσματος ή η χρήση εξωτερικών προσαρμογών.

Ηλεκτρικά εξαρτήματα και άλλοι κίνδυνοι

- Όταν χρησιμοποιείτε τη συσκευή, δεν πρέπει να συνδέσετε στην ίδια πρίζα άλλες συσκευές.
- Εάν απενεργοποιήσετε ή αποσυνδέσετε τη συσκευή από την παροχή ηλεκτρικού ρεύματος, περιμένετε περίπου 5 λεπτά πριν την ενεργοποιήσετε ξανά.
- Μην βυθίζετε τη συσκευή στο νερό καθώς μπορεί να προκληθούν διαρροές και κίνδυνος ηλεκτροπληξίας. Κανένα μέρος/εξαρτήματα δεν μπορεί να τοποθετηθεί σε πλυντήριο πιάτων.

Προβλεπόμενη χρήση

- Η συσκευή προορίζεται για επαγγελματική χρήση και πρέπει να χρησιμοποιείται μόνο από ειδικευμένο προσωπικό.
- Αυτό το μηχάνημα έχει σχεδιαστεί μόνο για τη διανομή κρύων ποτών.
- Η χρήση της συσκευής για οποιονδήποτε άλλο σκοπό θεωρείται εσφαλμένη. Ο χρήστης είναι αποκλειστικά υπεύθυνος για την μη κατάλληλη χρήση της συσκευής.

Γείωση

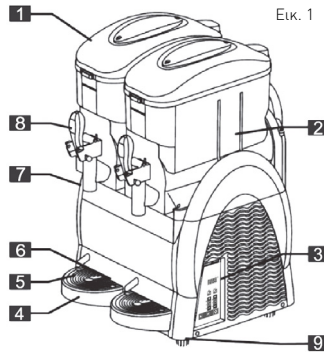
Αυτή η συσκευή ταξινομείται στην κλάση προστασίας Ι και πρέπει να συνδέεται με γείωση προστασίας. Η γείωση μειώνει τον κίνδυνο ηλεκτροπληξίας παρέχοντας ένα καλώδιο διαφυγής για το ηλεκτρικό ρεύμα.

Αυτή η συσκευή είναι εξοπλισμένη με καλώδιο που φέρει καλώδιο γείωσης με βύσμα γείωσης. Το βύσμα πρέπει να είναι συνδεδεμένο σε σωστά τοποθετημένη και γεωμένη πρίζα.

Κύρια μέρη της συσκευής

Η συσκευή αποτελείται από τα παρακάτω κύρια μέρη:


1. Καπάκι κάδου
2. Κάδος
3. Πίνακας ελέγχου
4. Αποσπώμενος δίσκος συλλογής
5. Πλέγμα
6. Φλοτέρ (ένδειξη υπερχειλίσας)
7. Στόμιο εκροής
8. Κάνουλες
9. Σπριγγίματα





Εξαρτήματα


- (Α). Κάλυμμα στεγανοποίησης έλικα x1
(Β). Δακτύλιος στεγανοποίησης κάδου x1
(Γ). Δακτύλιος στεγανοποίησης στομίου εκροής x10
(Δ). Λευκή ροδέλα άξονα έλικα x2
(Ε). Μαύρη ροδέλα άξονα έλικα x2
(ΣΤ). Σωλήνας λιπαντικού x1


Πίνακας ελέγχου


 Διακόπτης ενεργοποίησης

 Κουμπι επιλογής λειτουργίας αντίστοιχου κάδου

 Ενδεικτική λυχνία κάδου
Ένδειξη θερμοκρασίας

 Αύξηση ηχητότητας + / θερμοκρασίας


 Εμφάνιση ηχητότητας / θερμοκρασίας


 Μείωση ηχητότητας / θερμοκρασίας

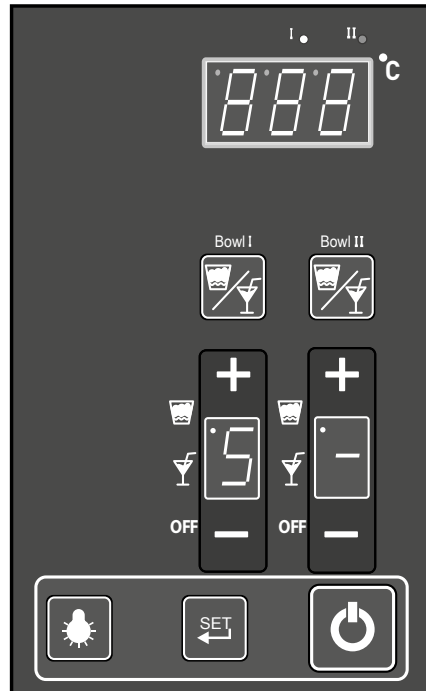
 Ένδειξη λειτουργίας Γρανίτας

 Ένδειξη λειτουργίας Χυμού

OFF Ένδειξη απενεργοποίησης

 Κουμπι φωτισμού

 Κουμπι ρύθμισης παραμέτρων
(Βλ. σελίδα X για τρόπο ρύθμισης)



Προετοιμασία πριν την πρώτη χρήση

- Αφαιρέστε κάθε προστατευτική συσκευασία.
- Βεβαιωθείτε ότι υπάρχουν όλα τα μέρη και εξαρτήματα της συσκευής (λιπαντικό, ροδέλα, κάλυμμα) Σε περίπτωση μη ολοκληρωμένης παράδοσης και ζημιών: Επικοινωνήστε με τον προμηθευτή (Βλ. ==> Εγγύηση).
- Η σωστή λειτουργία της συσκευής πρέπει να ελέγχεται από εξειδικευμένο εκπαιδευμένο προσωπικό.

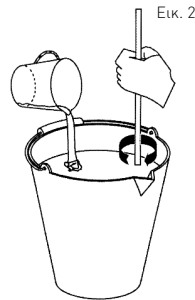
- Καθαρίστε όλα τα μέρη της συσκευής όπως περιγράφεται (Βλ. ==> Καθαρισμός και συντήρηση).

Σημείωση: Λόγω καταλοίπων από τη διαδικασία παραγωγής, η συσκευή ενδέχεται να παράγει μια ελαφριά μυρωδιά στους πρώτους κύκλους λειτουργίας της. Αυτό είναι φυσιολογικό και δεν υποδηλώνει βλάβη ή κίνδυνο. Βεβαιωθείτε ότι παρέχεται επαρκής εξαερισμός.

Λειτουργία

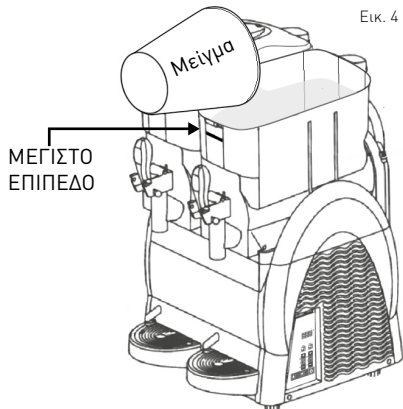
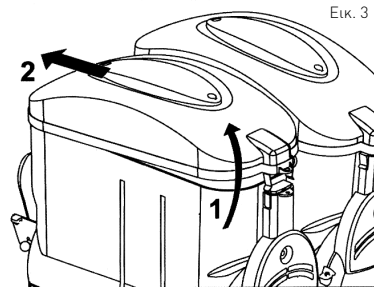
a) Προετοιμασία μείγματος:

- Αραιώστε και ανακατέψτε το ΣΥΜΠΥΚΝΩΜΑ με ΝΕΡΟ σε ένα κατάλληλο δοχείο, ακολουθώντας τις οδηγίες στις συνηγίες του κατασκευαστή. ΤΟ ΜΕΙΓΜΑ ΠΟΥ ΠΡΟΚΥΠΤΕΙ ΘΑ ΠΡΕΠΕΙ ΝΑ ΕΧΕΙ ΕΛΑΧΙΣΤΗ ΠΕΡΙΕΚΤΙΚΟΤΗΤΑ ΖΑΧΑΡΗΣ (13°Bx). Χαμηλότερη συγκέντρωση μπορεί να προκαλέσει βλάβη στον έλικα ή/και τα γρανάζια.
- **ΠΡΟΕΙΔΟΠΟΙΗΣΗ:** Η θερμοκρασία του μείγματος δεν θα πρέπει να υπερβαίνει ποτέ τους 25°C.
- **ΠΡΟΕΙΔΟΠΟΙΗΣΗ:** Μην χρησιμοποιείτε ποτέ τη συσκευή μόνο με νερό.



b) Προσθήκη μίγματος στη συσκευή:


- **ΠΡΟΕΙΔΟΠΟΙΗΣΗ:** Το μείγμα πρέπει να τοποθετηθεί στον κάδο (2) μόνο όταν η συσκευή είναι ΑΠΕΝΕΡΓΟΠΟΙΗΜΕΝΗ και αποσυνδεδεμένη από την ηλεκτρική τροφοδοσία.
- Για να αφαιρέσετε το καπάκι (1) του κάδου (2), ακολουθήστε τις παρακάτω οδηγίες (βλ. Εικ. 3):
 - 1) Ανασηκώστε το πίσω μέρος του καπακιού;
 - 2) Αφαιρέστε το καπάκι του κάδου (1) από τον δακτύλιο συγκράτησης που βρίσκεται στην μπροστινή πλευρά.
- Προσθέστε προσεκτικά το μείγμα στον κάδο (2) και μην ξεπεράσετε το «ΜΕΓΙΣΤΟ ΕΠΙΠΕΔΟ». (Βλ. Εικ. 4). (Μην προσθέτετε καυτά υγρά για να αποφύγετε πιθανούς κινδύνους.)

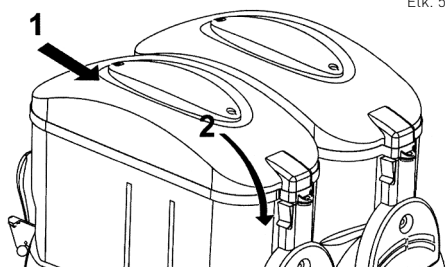


- Όταν ρίξετε όλη την ποσότητα του μείγματος που επιθυμείτε στον κάδο (2), κλείστε το καπάκι (1) στην αρχική του θέση επάνω στον κάδο (2). Βλ. Εικ. 5.

ΠΡΟΕΙΔΟΠΟΙΗΣΕΙΣ:

1. Μην ενεργοποιείτε ποτέ τη συσκευή εάν δεν κλείσετε το καπάκι. Πριν αφαιρέσετε το καπάκι, απενεργοποιήστε και αποσυνδέστε τη συσκευή.


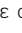


2.  Υπάρχουν ορισμένα κινούμενα μέρη στον κάδο, τα οποία μπορεί να προκαλέσουν τραυματισμούς, εάν δεν απενεργοποιήσετε και δεν αποσυνδέσετε τη συσκευή πριν πραγματοποιήσετε οποιαδήποτε ενέργεια.

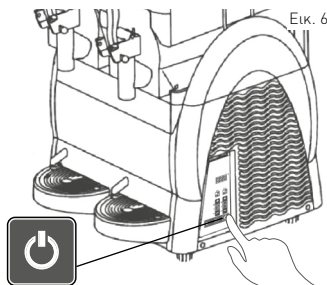


Εικ. 5



c) Λειτουργία της συσκευής:

Κάθε κάδος ελέγχεται ανεξάρτητα.




- Αρχικά, συνδέστε το φιλ σε μια κατάλληλη ηλεκτρική πρίζα.
- Στη συνέχεια, πατήστε το κουμπί  για να ενεργοποιήσετε τη συσκευή. Πατήστε για 3 δευτερόλεπτα το κουμπί  για να μεταβείτε στη λειτουργία ΑΔΡΑΝΕΙΑΣ εάν δεν θέλετε να χρησιμοποιήσετε τη συσκευή. Βλ. Εικ. 6.
- Στη συνέχεια, πατήστε το κουμπί που αντιστοιχεί στον κάδο που θέλετε να χρησιμοποιήσετε ( ή ). Πατήστε επανειλημμένα για να επιλέξετε την λειτουργία που επιθυμείτε. Υπάρχουν 3 λειτουργίες.



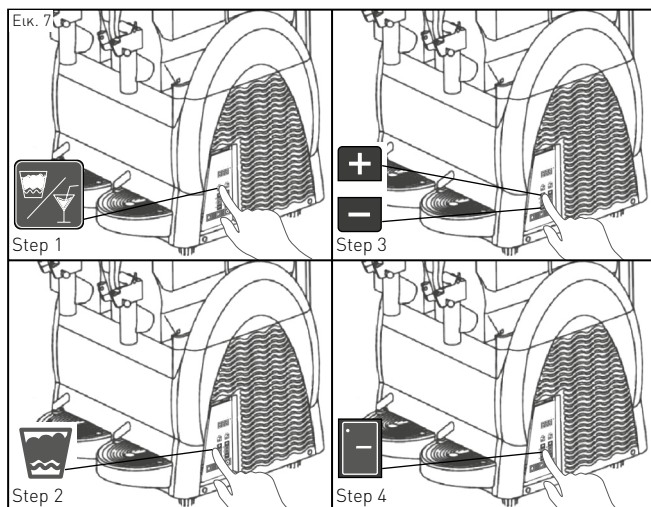
Εικ. 6

(Γρανίτα , Χυμός  ή ΑΠΕΝΕΡΓΟΠΟΙΗΣΗ **OFF**). Θα εμφανίζονται διαδοχικά και θα ανάβει το αντίστοιχο εικονίδιο.

I). Για να παρασκευάσετε γρανίτα




- Πατήστε το κουμπί που αντιστοιχεί στον κάδο που θέλετε να χρησιμοποιήσετε ( ή ).
- Στη συνέχεια, πατήστε επανειλημμένα για να επιλέξετε τη λειτουργία Γρανίτα. Θα ανάψει η ένδειξη .

- Στη συνέχεια, πατήστε «+» ή «-» διαδοχικά για να προσαρμόσετε την ηχητικότητα. Μπορείτε να επιλέξετε μεταξύ των επιπέδων 1 (αραιό μείγμα με μεγάλη περιεκτικότητα σε νερό) έως 7 (πυκνό μείγμα με μικρότερη περιεκτικότητα σε νερό). Βλ. Εικ.

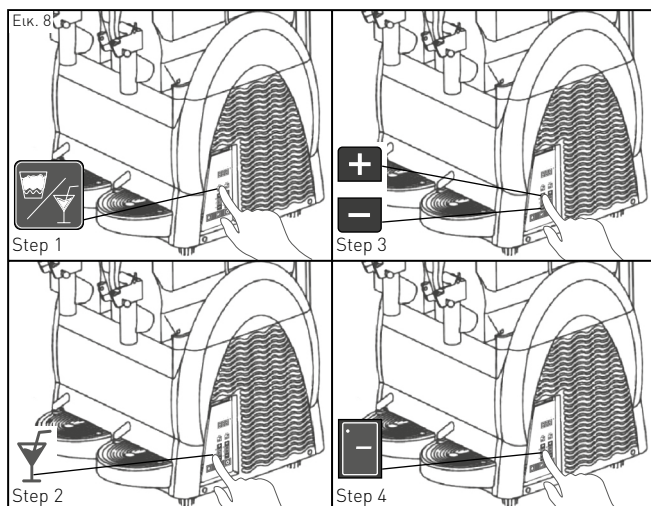


GR



II). Για να παρασκευάσετε παγωμένα ροφήματα

- Πατήστε το κουμπί που αντιστοιχεί στον κάδο που θέλετε να χρησιμοποιήσετε ( ή ).
- Στη συνέχεια, πατήστε επανειλημμένα για να επιλέξετε τη λειτουργία Χυμός. Θα ανάψει η ένδειξη .



- Στη συνέχεια, πατήστε επανειλημμένα «+» ή «-» για να ρυθμίσετε την θερμοκρασία που επιθυμείτε (1°C - 7°C).



III). Για να απενεργοποιήσετε τη συσκευή

- Πατήστε το κουμπί που αντιστοιχεί στον κάδο που θέλετε να χρησιμοποιήσετε ( ή ).

d) Καθαρισμός του κάδου που χρησιμοποιήθηκε:

- Πατήστε για περίπου 6 δευτερόλεπτα το πλήκτρο που αντιστοιχεί στον κάδο ( ή ).
- Η βαλβίδα του αντίστοιχου κάδου θα παραμείνει πλήρως ανοικτή για καθαρισμό, για περίπου 3 λεπτά. Στη διάρκεια αυτής της λειτουργίας, στην οθόνη ελέγχου θα εμφανίζεται η ένδειξη «°C».

Προσοχή: Σε αυτή τη λειτουργία, η ηλεκτρομαγνητική βαλβίδα του αντίστοιχου κάδου ανοίγει και δεν

e) Σερβίρισμα γρανίτας

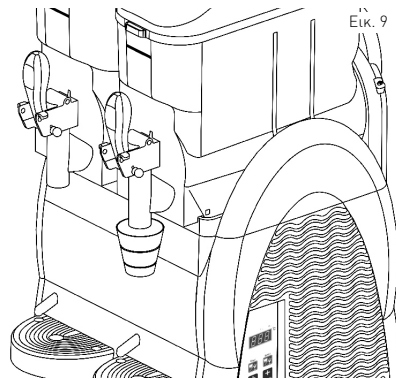
- Για να σερβίρετε το προϊόν, πιέστε προς τα κάτω την κάνουλα του στομίου.

Σημείωση: Ελέγχετε τακτικά τη θερμοκρασία του μείγματος στον κάδο (2) Έχετε πάντα τη συσκευή σε λειτουργία όταν υπάρχει μείγμα μέσα στον κάδο.

Εάν η συσκευή δεν λειτουργεί συνεχώς, θα πρέπει να απορρίψετε μια μικρή ποσότητα μείγματος πριν σερβίρετε το μείγμα στον πελάτη.

- Στη συνέχεια, πατήστε επανειλημμένα για να επιλέξετε τη λειτουργία ΑΠΕΝΕΡΓΟΠΟΙΗΣΗ (OFF). Θα ανάψει η ένδειξη **OFF**. Η συσκευή σταματά την ανάδευση και την ψύξη.

εξέρχεται ψυκτικό αέριο. Ωστόσο, ο έλικας θα συνεχίζει να αναδεύει διευκολύνοντας τον καθαρισμό. Γεμίστε με ζεστό και καθαρό νερό τον κάδο, χωρίς να ξεπεράσετε το «ΜΕΓΙΣΤΟ ΕΠΙΠΕΔΟ». Μην βάλετε τα χέρια σας μέσα στον κάδο. Απενεργοποιήστε και αποσυνδέστε τη συσκευή εάν θέλετε να καθαρίσετε ή να απολυμάνετε ολόκληρη της συσκευής.



Καθαρισμός και Συντήρηση

Προσοχή:

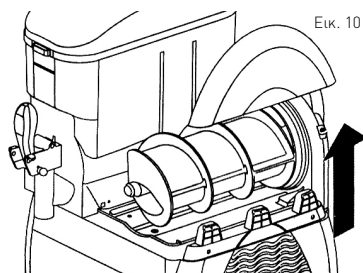
- Να κλείνετε πάντα τον διακόπτη ενεργοποίησης στον πίνακα ελέγχου (3) και να αποσυνδέετε τη συσκευή από την πρίζα πριν προβείτε σε εργασίες καθαρισμού ή συντήρησης. Οι εργασίες θα πρέπει να πραγματοποιούνται από εξειδικευμένο και εκπαιδευμένο προσωπικό.

Καθαρισμός:

- Οι εξωτερικές και εσωτερικές επιφάνειες μπορούν να καθαριστούν με ένα υγρό πανί και μια μικρή ποσότητα καθαριστικού μέσου.
- Μην χρησιμοποιείτε πίδακες νερού ή συσκευές καθαρισμού με ατμό και μη βυθίζετε τη συσκευή μέσα σε νερό.
- Κανένα μέρος της συσκευής δεν μπορεί να πλυθεί σε πλυντήριο πιάτων.
- Κανένα μέρος της συσκευής δεν μπορεί να τοποθετηθεί σε φούρνο μικροκυμάτων.
- Μην χρησιμοποιείτε λειαντικά ή/και μεταλλικά σφουγγάρια για να καθαρίσετε τη συσκευή.
- Ο κάδος πρέπει να καθαρίζεται και να απολυμαίνεται τουλάχιστον μία φορά την ημέρα.
- Ο καθαρισμός και η απολύμανση είναι λειτουργίες που απαιτούν προσοχή και τακτικότητα για λόγους υγιεινής και για να παραμένει εγγυημένη η ποιότητα των ροφημάτων που σερβίρονται.

- Για να εκτελέσετε οποιαδήποτε εργασία καθαρισμού και συντήρησης, πρέπει να φοράτε ρούχα ατομικής προστασίας όπως γάντια, προστατευτικά γυαλιά κλπ.

- Προειδοποίηση: Μην συνδέετε ή ενεργοποιείτε τη συσκευή κατά τη διάρκεια των εργασιών καθαρισμού και συντήρησης.
- Ανασπώστε το επάνω μέρος του προστατευτικού και αφαιρέστε το για καθαρισμό και συντήρηση. Στη συνέχεια, τοποθετήστε ξανά στη συσκευή. Βλ. Εικ.

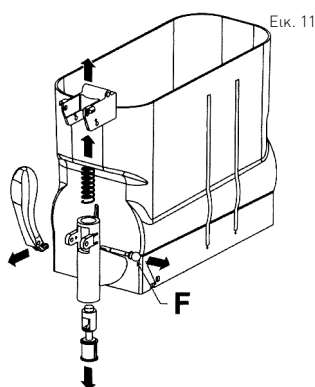


a) Άδειασμα κάδων

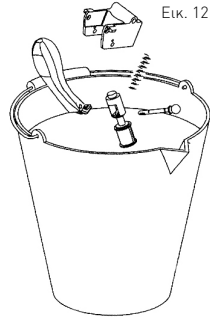
- Πριν να καθαριστεί ένας κάδος, πρέπει πρώτα να το αδειάσετε από τυχόν μείγμα.

b) Αποσυναρμολόγηση στομίου εκροής:

- Βεβαιωθείτε ότι ο κάδος είναι άδειος.
- Αφαιρέστε το στόμιο πριν αφαιρέσετε τον κάδο.
- Αφαιρέστε τον πείρο (ΣΤ) για να απελευθερώσετε όλα τα άλλα μέρη.



- Χρησιμοποιήστε καθαρό και ζεστό νερό για να πλύνετε τα μέρη.



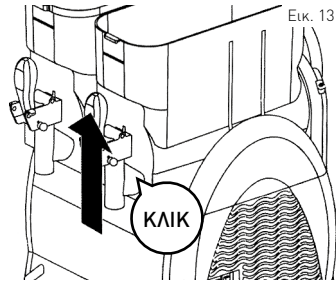
Εικ. 12

c) Αφαίρεση κάδου και καπακιού:

- Για να αφαιρέσετε το καπάκι (1) του κάδου (2), ακολουθήστε τις παρακάτω οδηγίες και δείτε την Εικ.13:

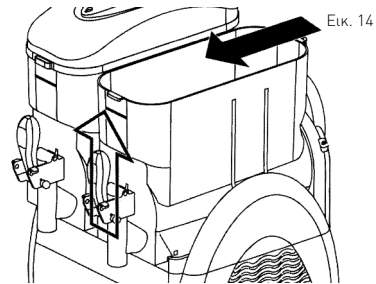
- 1) Ανασπώστε το πίσω μέρος του καπακιού;
- 2) Αφαιρέστε το καπάκι του κάδου (1) από τον δακτύλιο συγκράτησης που βρίσκεται στην μπροστινή πλευρά

- Στη συνέχεια, σπρώξτε το μπροστινό μέρος του κάδου για να το απελευθερώσετε.



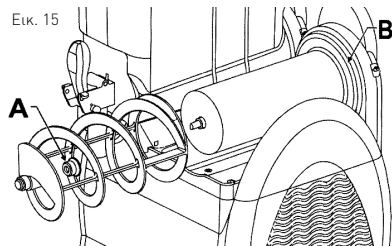
Εικ. 13

- Στη συνέχεια, αφαιρέστε τον κάδο πιέζοντας τον ελαφρά στο πίσω μέρος του. Ο κάδος έχει απελευθερωθεί.



Εικ. 14

- Τέλος, αφαιρέστε τον έλικα, το κάλυμμα στεγανοποίησης (A) και τον δακτύλιο στεγανοποίησης κάδου (B). Αντικαταστήστε σε περίπτωση φθοράς ή κάθε 12 μήνες.



Εικ. 15

d) Πλύσιμο και απολύμανση εξαρτημάτων:

Προσοχή: Όλα τα εξαρτήματα που έχουν προηγουμένως αποσυαρμολογηθεί και αφαιρεθεί, πρέπει να πλυθούν και να απολυμανθούν καλά. Προτείνουμε να καθαρίζετε και να απολυμαίνετε καθημερινά τη συσκευή για να διατηρείτε υψηλή ποιότητα στα προϊόντα που σερβίρετε.

Για να εκτελέσετε τη διαδικασία αυτή σωστά, ακολουθήστε τα εξής βήματα:

- Γεμίστε ένα δοχείο με απορρυπαντικό και ζεστό νερό σε θερμοκρασία 50–60°C.
- Πλύνετε καλά τα αποσυαρμολογημένα εξαρτήματα με αυτό το διάλυμα.
- Ξεπλύνετε με ζεστό νερό.
- Αφήστε τα εξαρτήματα μέσα στο διάλυμα για περίπου 30 λεπτά.
- Στη συνέχεια, ξεπλύνετε τα εξαρτήματα με καθαρό νερό.
- Τοποθετήστε τα σε μια στεγνή, καθαρή επιφάνεια και σκουπίστε τα καλά.
- Συαρμολογήστε τη συσκευή όπως περιγράφεται στην ενότητα **ε**).
- Πριν θέσετε σε λειτουργία τη συσκευή, εκτελέστε έναν κύκλο ξεπλύματος με καθαρό νερό. (Βλ. ενότητα **στ**.)

Προειδοποίηση: Μην βυθίζετε τα καπάκια των κάδων μέσα σε υγρά. Φέρουν λαμπτήρες. Πριν από τον καθαρισμό, βεβαιωθείτε ότι έχετε αφαιρέσει τον λαμπτήρα από τη συσκευή, όπως περιγράφεται παρακάτω (βλ. Εικ. 27):

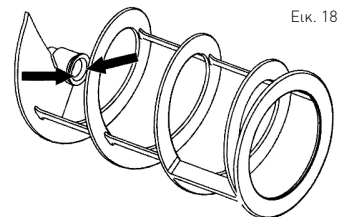
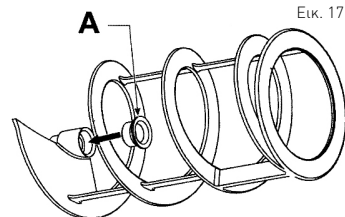
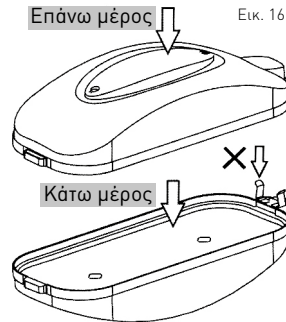
e) Επανατοποθέτηση εξαρτημάτων

Προσοχή: Όλα τα εξαρτήματα πρέπει να επανατοποθετηθούν προσεκτικά. Ορισμένα εξαρτήματα πρέπει να λιπαίνονται επαρκώς με το παρεχόμενο λιπαντικό, προκειμένου να διασφαλιστεί ότι θα λειτουργούν αποτελεσματικά.

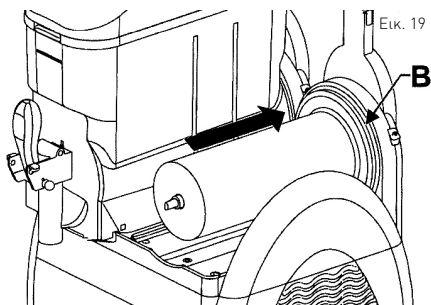
- Ελέγχετε πάντα την ακεραιότητα του καλύμματος στεγανοποίησης έλικα (A). Σε περίπτωση φθοράς, αντικαταστήστε με καινούριο (παρέχεται).
- Αντικαταστήστε το κάλυμμα στεγανοποίησης έλικα (A) τουλάχιστον κάθε 12 μήνες.
- Τοποθετήστε το κάλυμμα στεγανοποίησης έλικα (A) όπως φαίνεται παρακάτω (βλ. Εικ. 17).
- Λιπάνετε την εσωτερική επιφάνεια του καλύμματος στεγανοποίησης έλικα (A) όπως φαίνεται στο Εικ. 18 με το λιπαντικό (παρέχεται).

Καθαρίστε τους λαμπτήρες όπως περιγράφεται παρακάτω:

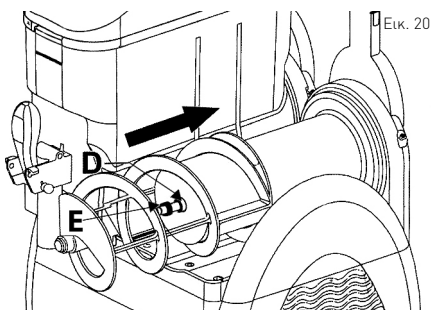
1. Καθαρίστε το κάτω και το επάνω μέρος του καπακιού με ένα καθαρό και υγρό πανί.
2. Χρησιμοποιώντας ένα σφουγγάρι βουτηγμένο σε καθαριστικό διάλυμα, απολυμάνετε το κάτω μέρος του καπακιού του κάδου για περίπου 10 λεπτά, προσέχοντας να μην αγγίξετε τον μεντεσέ (X).
3. Ξεβγάλετε δύο ή περισσότερες φορές με ένα καθαρό σφουγγάρι μουλιασμένο σε ζεστό νερό.
4. Σκουπίστε το με ένα στεγνό πανί.
5. Τοποθετήστε ξανά το καπάκι στον κάδο αφού πρώτα τον έχετε καθαρίσει και απολυμάνει.



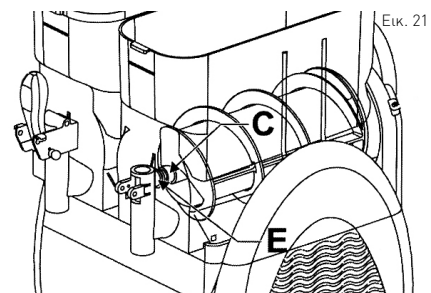
- Στη συνέχεια, τοποθετήστε τον δακτύλιο στεγανοποίησης κάδου (B) και λιπάνετε με το παρεχόμενο λιπαντικό γύρω του όπως φαίνεται παρακάτω (βλ. Εικ. 19).



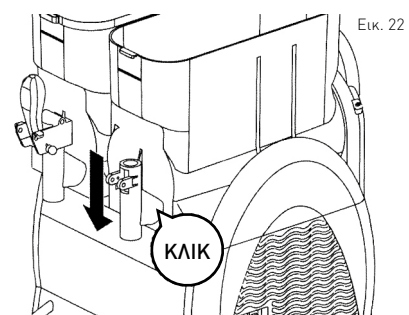
- Στη συνέχεια, τοποθετήστε τον έλικα, τη λευκή ροδέλα (Δ) και τη μαύρη ροδέλα άξονα (Ε). Περιστρέψτε τον έλικα για να κλειδώσει.



- Στη συνέχεια, επιστρέψτε τον κάδο στη θέση και ανασπώστε ελαφρά την κεφαλή του έλικα για να ευθυγραμμιστεί με τη θέση (Ε) του κάδου (βλ. Εικ. 21).

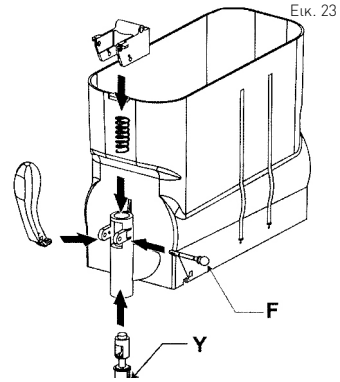


- Πιέστε τον κάδο ελαφρώς προς τα κάτω μέχρι να τοποθετηθεί σωστά στη θέση του (βλ. Εικ. 22).



Ακολουθήστε τις παρακάτω οδηγίες για να επανατοποθετήσετε το στόμιο (7):

- Χρησιμοποιώντας το παρεχόμενο λιπαντικό, λιπάνετε επαρκώς το στόμιο (Y) και συναρμολογήστε ξανά τα εξαρτήματα.
- Τοποθετήστε τον πείρο (ΣΤ) ενώ κρατάτε σταθερή την κάνουλα του στομίου (βλ. Εικ. XX).
- Αντικαταστήστε τον δακτύλιο στεγανοποίησης στομίου (Γ) σε περίπτωση φθοράς ή διαρροής.



f) Έκπλυση της συσκευής

Προσοχή: Πριν ενεργοποιήσετε τη συσκευή μετά τον καθαρισμό, εκτελέστε έναν κύκλο έκπλυσης.

Η διαδικασία είναι η εξής:

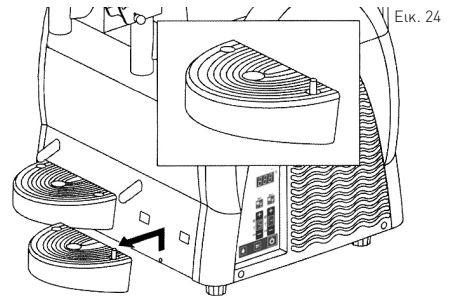
- Βάλτε καθαρό νερό στον κάδο.

- Αφήστε τη συσκευή να λειτουργήσει για τουλάχιστον 5 λεπτά σε «ανάδευση».
- Απενεργοποιήστε τη συσκευή και αδειάστε τον κάδο, ανοίγοντας το στόμιο (7).

g) Καθαρισμός του δίσκου συλλογής

Προσοχή: Ο δίσκος συλλογής πρέπει να αδειάζει και να καθαρίζεται κάθε φορά που το κόκκινο φλοτέρ που έχει τοποθετηθεί στο πλέγμα ανεβαίνει και φαίνεται. Πρέπει να καθαρίζεται καθημερινά.

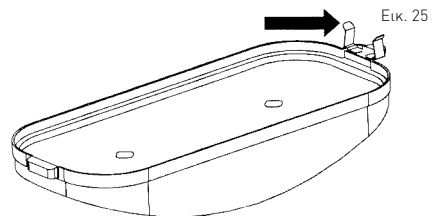
- Ανασπώστε τον δίσκο με το πλέγμα και τραβήξτε το προς τα έξω.
- Πλύνετε τον δίσκο και το πλέγμα ξεχωριστά με κλιμαρό νερό.
- Στεγνώστε καλά και τα δύο μέρη και τοποθετήστε το πλέγμα επάνω στον δίσκο.
- Τοποθετήστε τον σωλήνα αποστράγγισης στο παρεχόμενο άνοιγμα.
- Τοποθετήστε τον δίσκο στη θέση του και πιέστε τον προς τα κάτω για να τον στερεώσετε στη συσκευή.



h) Καπάκι με φωτισμό

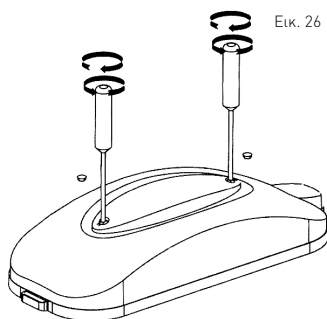
Προσοχή: Κατά τη διάρκεια της διαδικασίας καθαρισμού, προσέχετε να μη λυγίσετε, σπάσετε ή φθείρετε τις «επαφές». Τυχόν ζημιά μπορεί να προκαλέσει κακή λειτουργία του καπακιού με φωτισμό.

- Καθαρίστε τις επαφές του καπακιού με ένα ωπό πανί και σκουπίστε καλά. Απενεργοποιείτε πάντα τη συσκευή.
- Μην βυθίζετε σε νερό για τον καθαρισμό.

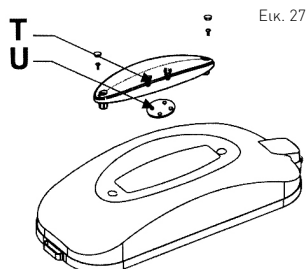


i) Αντικατάσταση λαμπτήρα

- Ο λαμπτήρας πρέπει να αντικαθίσταται μόνο όταν η συσκευή είναι απενεργοποιημένη και το καλώδιο τροφοδοσίας αποσυνδεδεμένο.
- Στη συνέχεια, αφαιρέστε το προστατευτικό κάλυμμα. Χρησιμοποιήστε το κατάλληλο σωστό κατασβίδι (δεν παρέχεται) για να ξεβιδώσετε τις βίδες και να αφαιρέσετε το κάλυμμα.



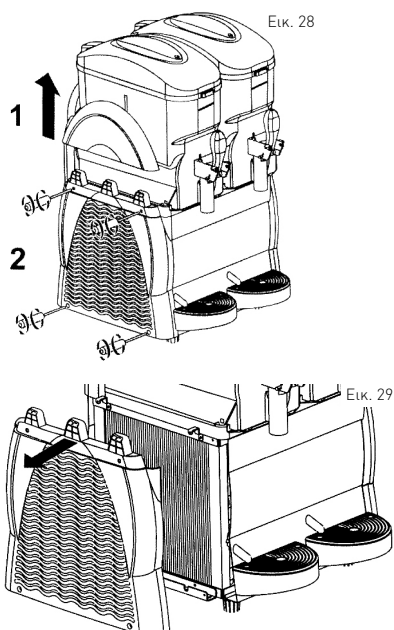
- Αφαιρέστε τον λαμπτήρα (U) από την υποδοχή (T). Αντικαταστήστε τον λαμπτήρα με έναν νέο (δεν παρέχεται).



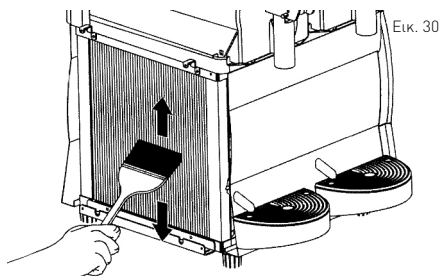
j) Καθαρισμός του πυκνωτή

- Προσοχή: Ο πυκνωτής μπορεί να καθαριστεί αποκλειστικά από ειδικευμένο τεχνικό, ο οποίος θα οργανώσει όλες τις λειτουργικές διαδικασίες και θα χρησιμοποιήσει τα κατάλληλα εργαλεία/εξοπλισμό.
- Ο πυκνωτής πρέπει να καθαρίζεται τακτικά (τουλάχιστον μία φορά κάθε 6 μήνες) για να διατηρείται η καλή απόδοση της συσκευής.
- Για πρόσβαση στον πυκνωτή, πρέπει να αφαιρέσετε το πλέγμα ασφαλείας.
- Προειδοποίηση: Με την αφαίρεση του πλέγματος ασφαλείας θα εμφανιστούν ορισμένες αιχμηρές επιφάνειες της συσκευής.
- Για να αφαιρέσετε το πλέγμα ασφαλείας, προχωρήστε όπως περιγράφεται παρακάτω:

- 1) Ανασπώστε και αφαιρέστε το επάνω μέρος του πλαισίου πλέγματος ασφαλείας.
- 2) Ξεβιδώστε τις 4 βίδες που το ασφαλίζουν στη θέση του.
- 3) Αφαιρέστε τις 4 βίδες για να αφαιρέσετε το πλέγμα. (Βλ. Εικ. 29)



- 4) Χρησιμοποιήστε μια στεγνή βούρτσα (δεν παρέχεται) για να αφαιρέσετε τη σκόνη που έχει συσσωρευθεί με την χρήση. (Βλ. Εικ. 30)
- 5) Αφού καθαρίσετε καλά τον πυκνωτή, επανατοποθετήστε το πλέγμα ασφαλείας.



κ) Περιοδική συντήρηση

Η συσκευή πρέπει να ελέγχεται περιοδικά (τουλάχιστον κάθε 6 μήνες) από εξειδικευμένο τεχνικό. Με τον περιοδικό έλεγχο διασφαλίζεται ότι όλα τα εξαρτήματα καθώς και η ίδια η συσκευή λειτουργούν με υψηλό επίπεδο ασφάλειας.

Τυχόν φθαρμένο εξάρτημα πρέπει να αντικαθίσταται από γνήσιο ανταλλακτικό. Απαγορεύεται η χρήση της συσκευής ακόμα και όταν μόνο ένα από τα εξαρτήματά της είναι ελαττωματικό ή φθαρμένο. Ο χρήστης απαγορεύεται να εκτελεί περιοδική συντήρηση.

Αντιμετώπιση προβλημάτων

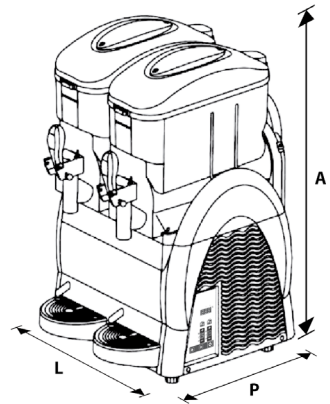
Αν η συσκευή δεν λειτουργεί σωστά, συμβουλευτείτε τον παρακάτω πίνακα για πιθανές λύσεις.

Αν συνεχίσετε να μην μπορείτε να επιλύσετε το πρόβλημα, επικοινωνήστε με τον προμηθευτή/πάροχο σέρβις.

Πρόβλημα	Πιθανή αιτία	Πιθανή λύση
Η συσκευή δεν λειτουργεί αφού τοποθετηθεί το φιλτράρισμα στην πρίζα.	Το καλώδιο τροφοδοσίας και το φις δεν έχουν συνδεθεί σωστά.	Ελέγξτε τη σύνδεση. Και βεβαιωθείτε ότι όλες οι συνδέσεις είναι σωστά συνδεδεμένες.
Διαρροή στομίου εκροής	Το στόμιο δεν έχει τοποθετηθεί σωστά.	Αποσυναρμολογήστε και τοποθετήστε ξανά το στόμιο στη θέση του.
	Το πιστόνι του στομίου δεν έχει λιπανθεί.	Λιπάνετε το πιστόνι του στομίου.
	Το πιστόνι του στομίου είναι ελαττωματικό.	Επικοινωνήστε με τον προμηθευτή σας.
Διαρροή μείγματος από το πίσω μέρος του κάδου	Ο κάδος δεν έχει τοποθετηθεί σωστά.	Αποσυναρμολογήστε και τοποθετήστε ξανά τον κάδο στη θέση του.
	Ο δακτύλιος στεγανοποίησης του κάδου δεν έχει λιπανθεί.	Λιπάνετε τον δακτύλιο στεγανοποίησης του κάδου.
	Ο δακτύλιος στεγανοποίησης του κάδου είναι ελαττωματικός.	Αντικαταστήστε με νέο δακτύλιο στεγανοποίησης κάδου.
Ο έλικας δεν γυρίζει	Ο έλικας έχει μπλοκαριστεί από πάγο στον κάδο.	Περμύνετε να λιώσει ο πάγος.
Η συσκευή δεν παρασκευάζει γρανίτα	Η κατάσταση λειτουργίας δεν έχει ρυθμιστεί σε «λειτουργία Γρανίτα».	Επιλέξτε «λειτουργία Γρανίτα».
	Ο πυκνωτής είναι βρώμικος.	Καθαρίζετε τακτικά τον πυκνωτή.
	Ο εξερισμός δεν είναι επαρκής.	Παρέχετε επαρκή εξερισμό.
	Η συσκευή βρίσκεται κοντά σε πηγή θερμότητας.	Απομακρύνετε τη συσκευή από την πηγή θερμότητας.
Ο έλικας παράγει θόρυβο κατά τη λειτουργία	Το μπροστινό κάλυμμα στεγανοποίησης (Α) έχει τοποθετηθεί εσφαλμένα.	Αποσυναρμολογήστε και τοποθετήστε σωστά το μπροστινό κάλυμμα στεγανοποίησης (Α).
	Το μπροστινό κάλυμμα στεγανοποίησης (Α) δεν έχει λιπανθεί.	Λιπάνετε το μπροστινό κάλυμμα στεγανοποίησης (Α).
	Η γρανίτα είναι πολύ ηχηρή.	Αλλάξτε το επίπεδο ηχηρότητας.
Η γρανίτα έχει μαύρους λεκέδες	Ο κάδος είναι βρώμικος.	Απενεργοποιήστε και αποσυνδέστε τη συσκευή. Καθαρίστε καλά τη συσκευή.
	Ο δακτύλιος στεγανοποίησης έλικα είναι βρώμικος.	Καθαρίστε ξανά τον δακτύλιο στεγανοποίησης.
Το στόμιο εκροής δεν λειτουργεί σωστά	Το στόμιο έχει φράξει από πάγο.	Απενεργοποιήστε τη συσκευή και αφήστε τον πάγο να λιώσει.

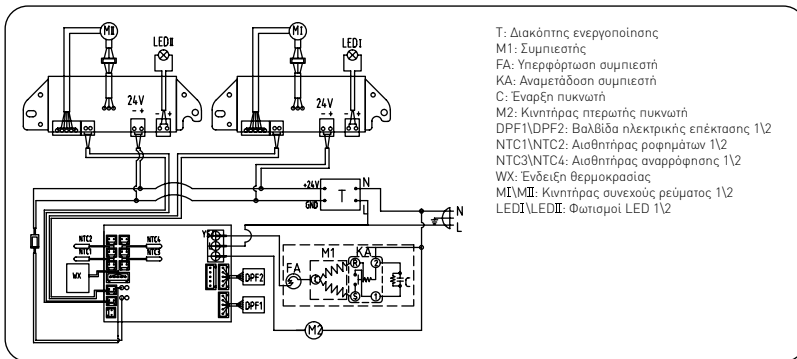
Τεχνικές προδιαγραφές

Αρ. προϊόντος	274224
Διαστάσεις συσκευής	P: 520mm x A: 810mm x L: 470mm
Βάρος (με άδειους κάδους)	50kg
Μέγιστη είσοδος ηλεκτρικής ισχύος (W)	850W
Τάση (V) και συχνότητα (Hz) λειτουργίας	220-240V~ 50Hz
Θερμοκρασία λειτουργίας	Από 20°C έως 32°C
Αριθμός κάδων	2
Χωρητικότητα κάθε κάδου	12 λίτρα + 12 λίτρα
Επίπεδο θορύβου	< 70 dB
Κατηγορία προστασίας	Κατηγορία I
Κλάση προστασίας νερού	IPX0
Χρησιμοποιούμενο ψφικτικό μέσο και ποσότητα	R404a / 450g
Καθαρό βάρος (με άδειους κάδους)	62kg
Κλιματική κατηγορία	N



Σημείωση: Οι τεχνικές προδιαγραφές μπορούν να τροποποιηθούν χωρίς προηγούμενη ειδοποίηση.

Διάγραμμα ηλεκτρικής καλωδίωσης (Προϊόν 274224)




GR


Ρύθμιση παραμέτρων μηχανήματος

ΠΡΟΕΙΔΟΠΟΙΗΣΗ: Δεν συνιστάται η αλλαγή αυτών των ρυθμίσεων, καθώς στη συσκευή έχουν ήδη ορι-

στεί εργοστασιακά οι βέλτιστες ρυθμίσεις. Αλλάξτε τις ρυθμίσεις μόνο εάν είναι απαραίτητο.

Τρόπος ρύθμισης

Πατήστε παρατεταμένα για περίπου 6 δευτερόλεπτα το κουμπί . Η θερμοκρασία αναβοσβήνει στην οθόνη. Πατήστε «+» ή «-» για να εισάγετε την τιμή «15» (Αυτός είναι ο κωδικός για είσοδο στη λειτουργία ρύθμισης).

Στη συνέχεια, πατήστε επανειλημμένα το κουμπί  a να επιλέξετε την παράμετρο (θα εμφανίζονται διαδοχικά) που θέλετε να αλλάξετε. Οι παράμετροι παρατίθενται οι παρακάτω:

Στοιχείο εμφάνισης	Περιγραφή	Εύρος ρύθμισης	Εργοστασιακή ρύθμιση
F1	Θερμοκρασία κάδου I σε λειτουργία Χυμού	1°C ~ 7°C	2°C
F2	Θερμοκρασία κάδου II σε λειτουργία Χυμού	1°C ~ 7°C	2°C
F3	Δεν ισχύει		
C1	Προστασία όταν η θερμοκρασία είναι χαμηλή	-3°C ~ 10°C	-5°C
C3	Προστασία θερμοκρασίας εκροής υγρού στο πρώτο στάδιο	5°C ~ 10°C	10°C
C4	Προστασία θερμοκρασίας εκροής υγρού στο δεύτερο στάδιο	3°C ~ 8°C	5°C
A1	Θερμοκρασία αντιστάθμισης αισθητήρα για τον κάδο I	5°C ~ -5°C	0°C
A2	Θερμοκρασία αντιστάθμισης αισθητήρα για τον κάδο II	5°C ~ -5°C	0°C
A3	Δεν ισχύει		
E1	Διαφορά θερμοκρασίας σε λειτουργία Χυμού	1°C ~ 5°C	2°C
E2	Χρονική καθυστέρηση συμπίεστή	2 ~ 8 λεπτά	2 λεπτά

Εγγύηση

Οποιοδήποτε ελάττωμα επηρεάζει τη λειτουργικότητα της συσκευής που γίνεται προφανές ένα χρόνο μετά την αγορά της, θα διορθώνεται με δωρεάν επισκευή ή αντικατάσταση, αρκεί η συσκευή να έχει χρησιμοποιηθεί και συντηρηθεί σύμφωνα με τις οδηγίες και να μην έχει γίνει κατάχρηση ή λανθασμένη χρήση της με οποιονδήποτε τρόπο. Δε θίγονται τα νόμιμα δικαιώματά σας. Εάν η συσκευή υποστηρίζεται

από εγγύηση, δηλώστε πού και πότε έχει αγοραστεί και συμπεριλάβετε την απόδειξη αγοράς (π.χ. απόδειξη λιανικής πώλησης).

Σύμφωνα με την πολιτική μας για τη συνεχή εξέλιξη των προϊόντων μας, διατηρούμε το δικαίωμα να αλλάξουμε το προϊόν, τη συσκευασία και τις προδιαγραφές τεκμηρίωσής του χωρίς προειδοποίηση.

Απόρριψη & Περιβάλλον

Η συσκευή, μετά το πέρας της διάρκειας ζωής της, δεν πρέπει να απορρίπτεται ως οικιακό απόρριμμα. Πρέπει να απορρίπτεται, με δική σας ευθύνη, σε καθορισμένο σημείο συλλογής. Η μη τήρηση αυτού ενδέχεται να τιμωρείται σύμφωνα με τους ισχύοντες κανονισμούς για τη διάθεση των απορριμμάτων. Η χωριστή συλλογή και ανακύκλωση αυτής της συσκευής κατά τη στιγμή της απόρριψης βοηθά στη διατήρηση των φυσικών πόρων και εξασφαλίζει την

ανακύκλωσή της με τρόπο που προστατεύει την ανθρώπινη υγεία και το περιβάλλον. Για περισσότερες πληροφορίες σχετικά με το πού μπορείτε να απορρίψετε τη συσκευή για ανακύκλωση, επικοινωνήστε με την τοπική εταιρεία συλλογής απορριμμάτων. Οι κατασκευαστές και οι εισαγωγείς δεν αναλαμβάνουν την ευθύνη ανακύκλωσης, επεξεργασίας και οικολογικής διάθεσης, είτε άμεσα είτε μέσω δημόσιου συστήματος.

ΣΕΡΒΙΣ ΕΛΛΑΔΟΣ:

Serviceworld

τηλ.: 210.6203.838 (10 γραμμές)

info@serviceworld.gr

www.serviceworld.gr

Hendi B.V.

Steenoven 21
3911 TX Rhenen, The Netherlands
Tel: +31 (0)317 681 040
Email: info@hendi.eu

Hendi Polska Sp. z o.o.

ul. Magazynowa 5
62-023 Gądki, Poland
Tel: +48 61 6587000
Email: info@hendi.pl

Hendi Food Service Equipment GmbH

Gewerbegebiet Ehring 15
5112 Lamprechtshausen, Austria
Tel: +43 (0) 6274 200 10 0
Email: office.austria@hendi.eu

Hendi UK Ltd.

Central Barn, Hornby Road
Lancaster, LA2 9JX, United Kingdom
Tel: +44 (0)333 0143200
Email: sales@hendi.co.uk

Hendi Food Service Equipment Romania Srl

Str. 13 decembrie 94A, Hala 14
Braşov, 500164, Romania
Tel: +40 268 320330
Email: office@hendi.ro

PKS Hendi South East Europe SA

5 Metsovou Str.
18346 Moschato, Athens, Greece
Tel: +30 210 4839700
Email: office.greece@hendi.eu

Hendi HK Ltd.

1208, 12/F Exchange Tower
33 Wang Chiu Road, Kowloon Bay, Hong Kong
Tel: +852 2154 2618
Email: info-hk@hendi.eu

Find Hendi on internet:

www.hendi.eu
www.facebook.com/HendiFoodServiceEquipment
www.linkedin.com/company/hendi-food-service-equipment-b.v.
www.youtube.com/HendiEquipment

- Changes, printing and typesetting errors reserved.
- Änderungen und Druckfehler vorbehalten.
- Wijzigingen en drukfouten voorbehouden.
- Producent zastrzega sobie prawo do zmian oraz błędów drukarskich w instrukcji.
- Variations et fautes d'impression réservés.

- Errori di cambiamenti, di stampa e di impaginazione riservati.
- Drepturi rezervate cu privire la modificări și greșeli de imprimare.
- Изменения, печати и верстки ошибки защищены.
- Με επιφύλαξη αλλαγών, λαθών εκτύπωσης και στοιχειοθεσίας.