



Citrus Juicer #52

For all citrus fruits :
Limes, lemons, oranges,
grapefruits.
High output model.



Delivered with 3 removable
squeezers (cones)

Internationally patented models





Powerful - Efficient - Durable

The citrus juicer #52 is the perfect appliance to squeeze any kind of citrus thanks to the 3 removable squeezers (cones) delivered with the juicer.

This commercial juicer is equipped with powerful and reliable commercial motor.

For use everywhere you need a fresh squeezed citrus juice: juice bars, health food stores, hotels, bars, restaurants, cafeterias, ice cream shops, institutions and hospitals...

High output: just cut your citrus half and press. You will extract easily from 20 to 40 liters per hour (5 to 10 gallons).



THE COMPLETE RANGE OF THE CITRUS JUICER #52G



52C
Chromed



52
Green



52G
New Grey

**CHOOSE
YOUR COLOUR !**

Citrus juicer #52

Easy to use - Easy to clean - Completely safe



www.santos.fr

The unique juicer that you can clean **quickly and easily**: just wash the main different parts of the top. All these parts are easily removable from the base in a simple movement. (NSF approved)



Anti splash dome

Cones

Stainless steel grid

Stainless steel bowl

Rubber bowl sustainer
Vibration absorbing



Technical specifications

Motor

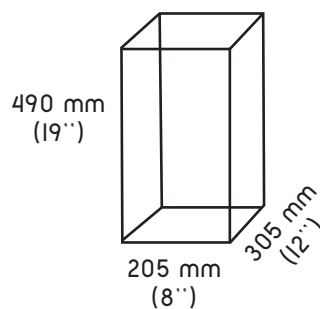
Single phase: 100-120V - 50/60 Hz - 260 W
UL, NSF - CE
220-240V - 50/60 Hz - 230 W
GS - CE - KC

Speed: 1500 RPM (50 Hz)
1800 RPM (60 Hz)

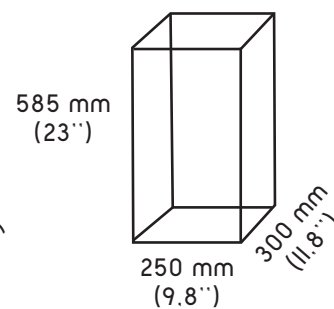
Weight

Net 9.5 kg (21 lbs)
Packed 10.5 kg (23 lbs)

Appliance :



Shipping box :



Safety - Standards - Hygiene

In accordance with the following regulations:

- ◆ Machinery directive 2006/42/EC
- ◆ Electromagnetic compatibility 2004/108/EC
- ◆ RoHS directive 2002/95/EC
- ◆ Regulation 1935/2004/EC (contact with food)

Harmonized European standards

- ◆ EN 12100-1 and 2:2004 - EN 60204-1:2006 - EN 60335-2-64 :2004

Electrical safety

- On/Off interlock switch in waterproof
- All mechanical parts are ground (earth) connected
- All equipment is 100% tested at the end of assembly (special electrical testing bay)

Thermal safety

Motor protected by internal thermal detector.

- ◆ CE European standards
- ◆ GS (Germany) controlled by LNE (National Test Laboratory)
- ◆ NSF (USA)
- ◆ UL (USA) and cUL (Canada)
- ◆ KC (Korea)

Acoustic safety

The asynchronous motor with direct driving is particularly silent.

Hygiene

All removable parts can be put in a dishwasher or easily cleaned with hot soapy water (NSF approved).

PRODUCT: 2-YEAR WARRANTY - MOTOR: 5-YEAR WARRANTY

Fruit juicer n°52
Date : depuis (from) 10/2003

